

RoHS Compliant Product
A suffix of "-C" specifies halogen & lead-free

FEATURE

- High hFE
- Complementary to KTA1505

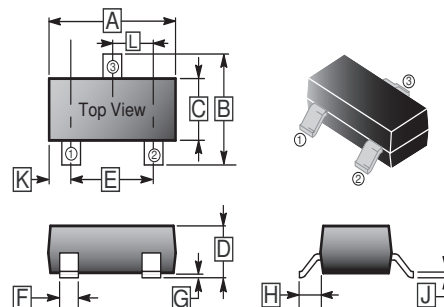
CLASSIFICATION OF h_{FE}

Product-Rank	KTC3876-O	KTC3876-Y	KTC3876-GR
Range	70~140	120~240	200~400
Marking Code	WO	WY	WG

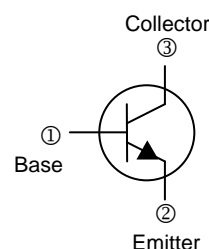
PACKAGE INFORMATION

Package	MPQ	Leader Size
SOT-23	3K	7 inch

SOT-23



REF.	Millimeter		REF.	Millimeter	
	Min.	Max.		Min.	Max.
A	2.80	3.04	G	0.09	0.18
B	2.10	2.55	H	0.45	0.60
C	1.20	1.40	J	0.08	0.177
D	0.89	1.15	K	0.6 REF.	
E	1.78	2.04	L	0.89	1.02
F	0.30	0.50			



ABSOLUTE MAXIMUM RATINGS (T_A=25°C unless otherwise specified)

Parameter	Symbol	Ratings	Unit
Collector to Base Voltage	V _{CB0}	35	V
Collector to Emitter Voltage	V _{CEO}	30	V
Emitter to Base Voltage	V _{EBO}	5	V
Collector Current - Continuous	I _C	500	mA
Collector Power Dissipation	P _C	200	mW
Junction, Storage Temperature	T _J , T _{STG}	150, -55 ~ 150	°C

ELECTRICAL CHARACTERISTICS (T_A=25°C unless otherwise specified)

Parameter	Symbol	Min.	Typ.	Max.	Unit	Test Conditions
Collector to Base Breakdown Voltage	V _{(BR)CBO}	35	-	-	V	I _C =100μA, I _E =0
Collector to Emitter Breakdown Voltage	V _{(BR)CEO}	30	-	-	V	I _C =1mA, I _B =0
Emitter to Base Breakdown Voltage	V _{(BR)EBO}	5	-	-	V	I _E =100μA, I _C =0
Collector Cut-Off Current	I _{CBO}	-	-	0.1	μA	V _{CB} =35V, I _E =0
Emitter Cut-Off Current	I _{EBO}	-	-	0.1	μA	V _{EB} =5V, I _C =0
DC Current Gain	h _{FE(1)}	70	-	400		V _{CE} =1V, I _C =100mA
	h _{FE(2)}	25				V _{CE} =6V, I _C =400mA
		40				
Collector to Emitter Saturation Voltage	V _{CE(sat)}	-	-	0.25	V	I _C =100mA, I _B =10mA
Base to Emitter Saturation Voltage	V _{BE}	-	-	1	V	I _B =100mA, V _{CE} =1V
Transition Frequency	f _T	-	300	-	MHz	V _{CE} =6V, I _C =20mA
Collector output capacitance	C _{ob}	-	7	-	pF	V _{CB} =6V, I _E =0, f=1MHz

CHARACTERISTIC CURVES

