

PLEASE CHECK WWW.MOLEX.COM FOR LATEST PART INFORMATION

Part Number: [0359781220](#)
Status: **Planned for Obsolescence**
Description: 3.96mm (.156") Pitch Wire-to-Board Header, Right Angle, Low Profile, 12 Circuits, Natural, Nylon

Documents:

[3D Model](#) [Product Specification PS-35978-001 \(PDF\)](#)
[Drawing \(PDF\)](#) [RoHS Certificate of Compliance \(PDF\)](#)

Agency Certification

CSA LR19980

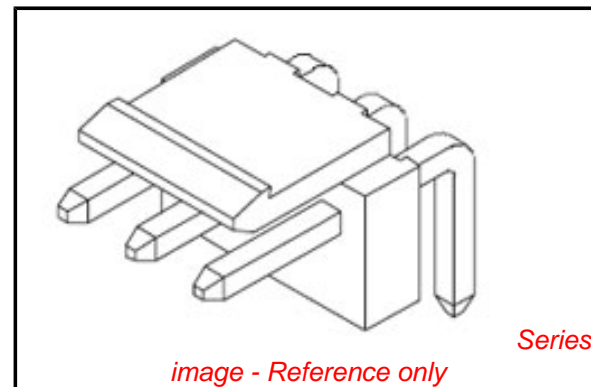
General

Product Family PCB Headers
 Series [35978](#)
 Application Wire-to-Board
 Product Name MV-396™

Physical

Breakaway No
 Circuits (Loaded) 12
 Circuits (maximum) 12
 Color - Resin Natural
 Durability (mating cycles max) 30
 First Mate / Last Break No
 Flammability 94V-0
 Glow-Wire Compliant No
 Guide to Mating Part No
 Keying to Mating Part None
 Lock to Mating Part Yes
 Material - Metal Brass
 Material - Plating Mating Tin
 Material - Plating Termination Copper
 Material - Resin Nylon
 Number of Rows 1
 Orientation Right Angle
 PC Tail Length (in) 0.146 In
 PC Tail Length (mm) 3.70 mm
 PCB Locator No
 PCB Retention None
 PCB Thickness Recommended (in) 0.062 In
 PCB Thickness Recommended (mm) 1.60 mm
 Packaging Type Bag
 Pitch - Mating Interface (in) 0.156 In
 Pitch - Mating Interface (mm) 3.96 mm
 Pitch - Term. Interface (in) 0.156 In
 Pitch - Term. Interface (mm) 3.96 mm
 Polarized to Mating Part No
 Polarized to PCB No
 Shrouded No
 Stackable Yes
 Surface Mount Compatible (SMC) No
 Temperature Range - Operating -25°C to +85°C
 Termination Interface: Style Through Hole

Electrical



EU RoHS

**ELV and RoHS
 Compliant
 REACH SVHC
 Not Reviewed
 Halogen-Free
 Status**

China RoHS



**Need more information on product
 environmental compliance?**

Email productcompliance@molex.com
 For a multiple part number RoHS Certificate of Compliance, [click here](#)

Please visit the [Contact Us](#) section for any non-product compliance questions.

Search Parts in this Series

[35978Series](#)

Mates With

[35977 Wire-to-Board Housing](#)

Current - Maximum per Contact
Voltage - Maximum

7A
250V

Material Info

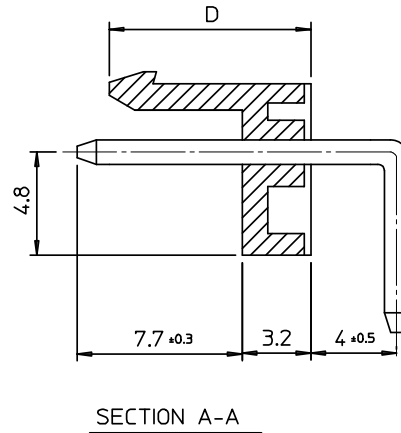
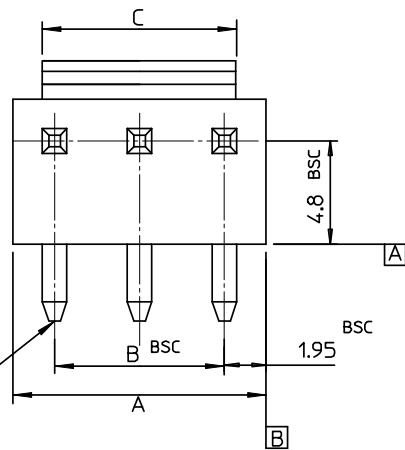
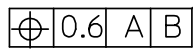
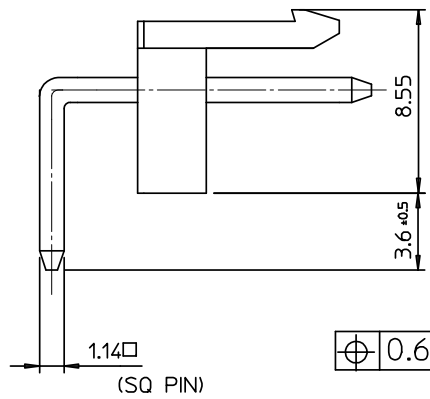
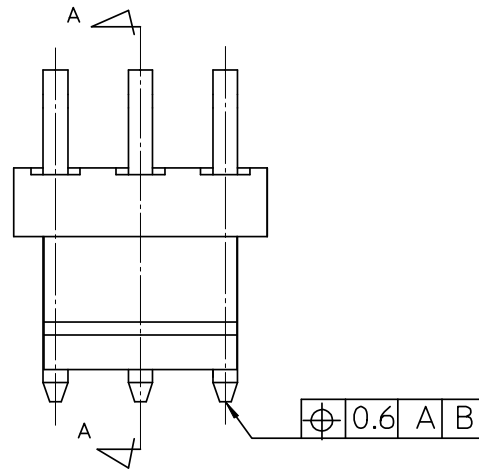
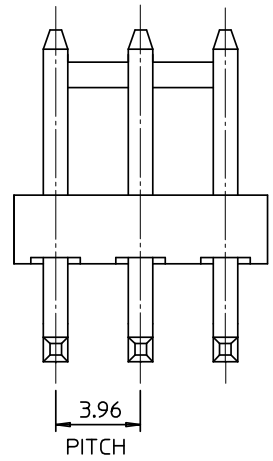
Reference - Drawing Numbers

Product Specification
Sales Drawing

PS-35978-001
SD-35978-002

This document was generated on 06/07/2010

PLEASE CHECK WWW.MOLEX.COM FOR LATEST PART INFORMATION



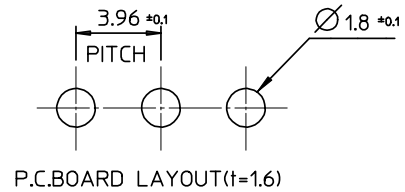
NOTES

- MATERIAL : HEADER - PA66, PBT/PC
PIN : BRASS(CDA 2700)
- FINISHES : PIN
THICKNESS - TIN 3.0 MICROMETER MIN.
OVER Cu 1.5 MICROMETER MIN.
- PRODUCT SPECIFICATION : PS-35978-002

LEGEND

- 35978-****
- COLOR : 0 - WHITE
1 - BLACK
2 - RED
3 - YELLOW
4 - BLUE
 - MATERIAL : 2 : PA66 4 : PBT/PC
 - CURCUIT NO. (02,03,04...)

9.4	56.50	55.44	59.40	3597815**	35978-15**	15
	52.54	51.48	55.44	3597814**	-14**	14
	48.58	47.52	51.48	3597813**	-13**	13
	44.62	43.56	47.52	3597812**	-12**	12
	40.66	39.60	43.56	3597811**	-11**	11
	36.70	35.64	39.60	3597810**	-10**	10
	32.74	31.68	35.64	3597809**	-09**	9
	28.78	27.72	31.68	3597808**	-08**	8
	24.84	23.76	27.72	3597807**	-07**	7
	20.86	19.80	23.76	3597806**	-06**	6
9.7	16.90	15.84	19.80	3597805**	-05**	5
	12.94	11.88	15.84	3597804**	-04**	4
	8.98	7.92	11.88	3597803**	-03**	3
D	C	B	A	MAT'L NO	ENG NO.	CURCUITS
						2



REVISED	DESCRIPTION
EC NO: KOR2008-0143	
DRWN: JHPARK01	2008/02/26
CHKD: WY. YANG	2008/07/26
APPR: YUNS.IKK.IM	2008/02/27
REV	

QUALITY SYMBOLS	DESCRIPTION
▽=0	
∇=0	

GENERAL TOLERANCES (UNLESS SPECIFIED)	
	mm INCH
4 PLACES	± --- ± ---
3 PLACES	± --- ± ---
2 PLACES	± --- ± ---
1 PLACE	± 0.2 ± ---
ANGULAR ± 2 °	
DRAFT WHERE APPLICABLE MUST REMAIN WITHIN DIMENSIONS	

DIMENSION STYLE	
MM ONLY	
DRAWN BY	DATE
Y. R. WI	1999/05/07
CHECKED BY	DATE
J. K. OH	1999/05/07
APPROVED BY	DATE
C. W. LEE	1999/05/07
MATERIAL NO.	
SEE TABLE	
SIZE	
A3	

SCALE	DESIGN UNITS	THIRD ANGLE PROJECTION
4:1	METRIC	
TITLE		
3.96 W/B HEADER ASSY(RA)		
MATERIAL NO.		SHEET NO.
SEE TABLE		1 OF 01
DOCUMENT NO.		
SD-35978-002		
MOLLEX MOLEX INCORPORATED		
THIS DRAWING CONTAINS INFORMATION THAT IS PROPRIETARY TO MOLEX INCORPORATED AND SHOULD NOT BE USED WITHOUT WRITTEN PERMISSION		