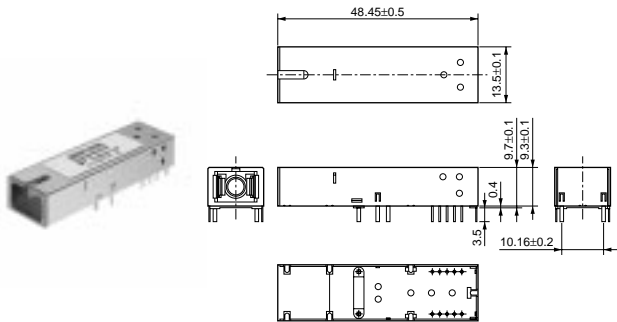


Optical Transceiver

● 1Gbps Bi-Directional SFF Type



(in mm)

Part Number	Wavelength Tx (nm)	Wavelength Rx (nm)	Output Optical Power (dBm)	Sensitivity (dBm)	Electrical Interface
WTFA11GDPS100T	1260 to 1360	1480 to 1580	-3 to +2	-23 max.	AC Coupling
WTFA21GDPS100T	1480 to 1580	1260 to 1360			
WTFA31GDPS100T	1260 to 1360	1480 to 1500			
WTFA41GDPS100T	1480 to 1500	1260 to 1360			
WTFD11GDPS100T	1260 to 1360	1480 to 1580			PECL
WTFD21GDPS100T	1480 to 1580	1260 to 1360			
WTFD31GDPS100T	1260 to 1360	1480 to 1500			
WTFD41GDPS100T	1480 to 1500	1260 to 1360			

Power Supply Voltage: 3.3V Connector Type: SC Connector