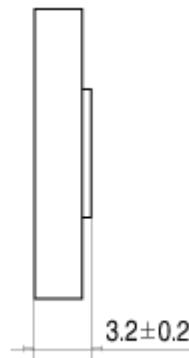
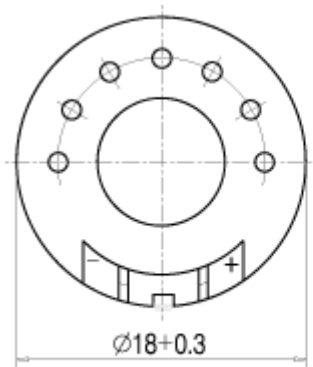


| | |
|---|-----------------|
| Type | BMS-1811 |
| Rated Impedance(Ω) | $8 \pm 15\%$ |
| Rated(Max.) Power(W) | 0.1(0.1) |
| Resonant Frequency(Hz) | $800 \pm 25\%$ |
| Rated Freq.Range(Hz) | $f_0 \sim 3500$ |
| Sound Pressure Level(dB) | 70 ± 3 |
| Magnet(g) | 0.6 |
| Operating Temperature($^{\circ}\text{C}$) | $-10 \sim +40$ |



Unit:mm

