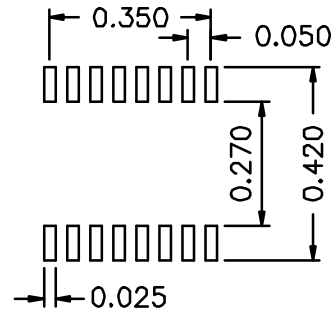
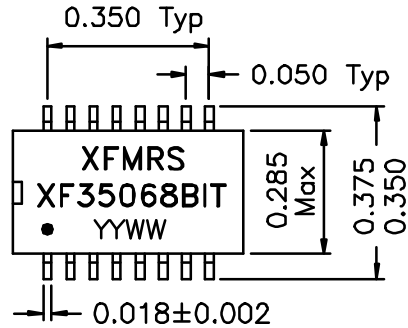
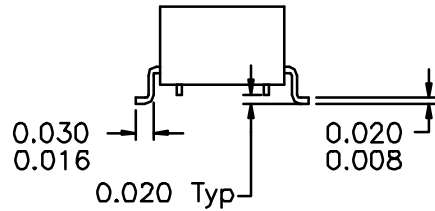
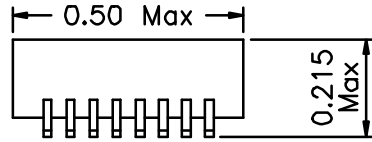
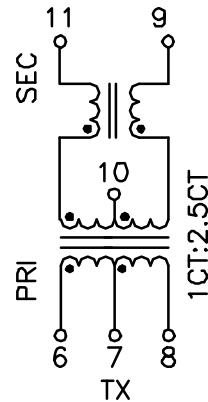
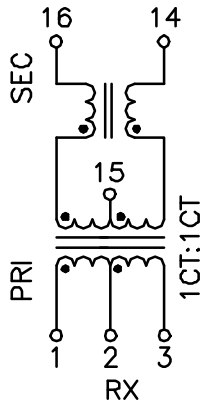


### 1. Dimensions:



SUGGESTED FOOTPRINT

### 2. Schematic:



DOC. REV: A/4

### 3. Electrical Specifications: @25°C

Isolation Voltage: 1500 VAC

Turns Ratio: 1CT:2.5CT ±5% (TX)

Turns Ratio: 1CT:1CT ±5% (RX)

OCL: Pins 1-3 350uH Min. @100KHz 100mV

OCL: Pins 6-8 35uH Min. @100KHz 100mV

Cw/w: 30pF Max @ 100KHz 20mV (Pri/Sec)

P1-3 LL: 0.8uH Max @ 100KHz 20mV P16-14 Shorted

P6-8 LL: 0.8uH Max @ 100KHz 20mV P11-9 Shorted

DC Res.: Pins 1-3 0.500 Ohms Max

DC Res.: Pins 6-8 0.300 Ohms Max

DC Res.: Pins 11-9 1.00 Ohms Max

DC Res.: Pins 16-14 1.00 Ohms Max

Operating Temp: -40 to +85°C

#### Notes:

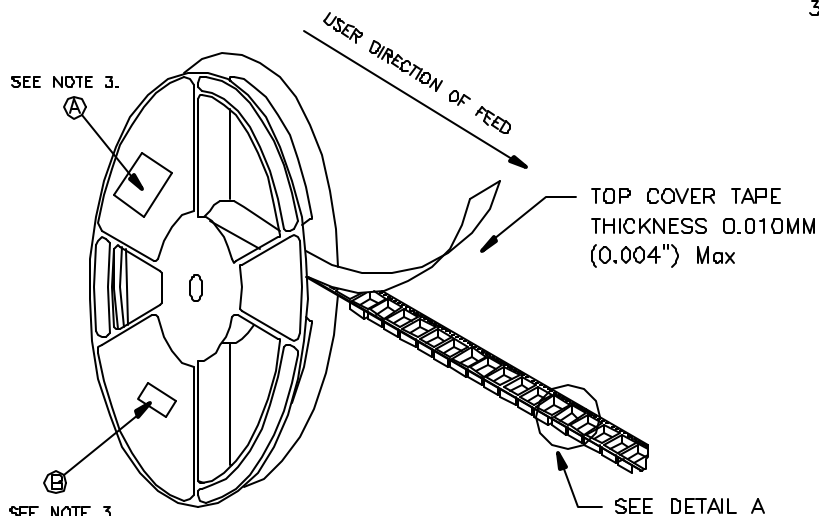
1. Solderability: Leads shall meet MIL-STD-202, Method 208D for solderability.
2. Flammability: UL94V-0
3. ASTM oxygen index: > 28%
4. Insulation System: Class F 155°C. UL file E151556
5. Operating Temperature Range: All listed parameters are to be within tolerance from -40°C to +85°C
6. Storage Temperature Range: -55°C to +125°C
7. Aqueous wash compatible

<b>XFMRS Inc</b>	Title: 10 BASE T ISOLATION MAGNETICS		
	UNLESS OTHERWISE SPECIFIED	P/N: XF35068BIT	REV. A
	TOLERANCES:	DWN.	康玉坤 May-31-00
	.xxx ±0.010	CHK.	李清儿 May-31-00
Dimensions in Inch	APP.	Joe Huff May-31-00	
SHEET 1 OF 1			

# TAPE AND REEL SPECIFICATION:

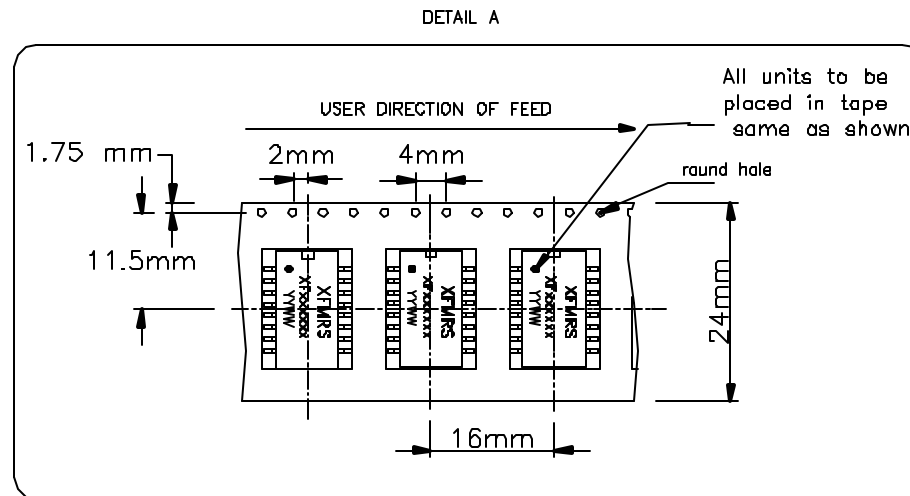
## NOTES:

- 1) PROCESS IN ACCORDANCE WITH EIA-481-2 STANDARDS
    - \* TAPE LEADER DIMENSION 15.30" MIN.
    - \* TAPE TRAILER DIMENSION 6.30" MIN.
  - 2) PARTS SHOULD BE PACKAGED IN ACCORDANCE WITH ESD GUIDELINES IN EIA-541.
  - 3) REEL LABEL: 'A' \* PART NUMBER
    - \* QUANTITY
    - \* LOT NUMBER
- 'B'- ANTI-STATIC CAUTION LABEL



REEL AND TAPE ORIENTATION

13" REEL DIAMETER



13" REEL = 650 PCS

XFMRS Inc	Title: T&R SPEC	
	P/N: 16PIN SOIC	REV: A
	DWN. 康玉坤	Jan-10-01
	CHK. 李清儿	Jan-10-01
UNLESS OTHERWISE SPECIFIED TOLERANCES: .xxs ±xxxxx Dimensions in mm	APP. BW	Jan-10-01
SHT 2 OF 2		