

**PLEASE CHECK WWW.MOLEX.COM FOR LATEST PART INFORMATION**

**Part Number:** [0905711141](#)  
**Status:** **Active**  
**Description:** 2.54mm (.100") Pitch QF-50™ Header, Vertical, Dual Row, Shrouded, DIN Keying, with Latch/Eject Levers, 14 Circuits, 0.1 µm Gold (Au)

**Documents:**

[3D Model](#) [RoHS Certificate of Compliance \(PDF\)](#)  
[Drawing \(PDF\)](#)

**Agency Certification**

CSA LR19980  
 UL E29179

**General**

Product Family Ribbon Cable / Wire Trap Connectors  
 Series [90571](#)  
 Comments Eject Levers  
 Component Type PCB Header  
 Glow-Wire Compliant No  
 Product Name QF-50™

**Physical**

Circuits (Loaded) 14  
 Circuits (maximum) 14  
 Color - Resin Black  
 Durability (mating cycles max) 50  
 Entry Angle Vertical  
 Flammability 94V-0  
 Lock to Mating Part None  
 Material - Metal Brass  
 Material - Plating Mating Gold  
 Material - Plating Termination Tin  
 Material - Resin Polyester  
 Number of Rows 2  
 PCB Locator No  
 PCB Retention None  
 PCB Thickness Recommended (in) 0.062 In  
 PCB Thickness Recommended (mm) 1.60 mm  
 Packaging Type Tray  
 Pitch - Mating Interface (in) 0.100 In  
 Pitch - Mating Interface (mm) 2.54 mm  
 Pitch - Term. Interface (in) 0.100 In  
 Pitch - Term. Interface (mm) 2.54 mm  
 Plating min: Mating (µin) 4  
 Plating min: Mating (µm) 0.1  
 Plating min: Termination (µin) 120  
 Plating min: Termination (µm) 3  
 Polarized to Mating Part Yes  
 Polarized to PCB No  
 Shrouded Yes  
 Stackable Yes  
 Surface Mount Compatible (SMC) No  
 Temperature Range - Operating -25°C to +85°C  
 Termination Interface: Style Through Hole  
 Wire Insulation Diameter N/A  
 Wire Size AWG N/A



image - Reference only

**EU RoHS**

**ELV and RoHS Compliant**  
**REACH SVHC**  
 Not Reviewed  
**Halogen-Free Status**  
**Not Reviewed**

**China RoHS**



**Need more information on product environmental compliance?**

Email [productcompliance@molex.com](mailto:productcompliance@molex.com)  
 For a multiple part number RoHS Certificate of Compliance, [click here](#)

Please visit the [Contact Us](#) section for any non-product compliance questions.

**Search Parts in this Series**

[90571Series](#)

**Mates With**

[90635 QF-50™ Female Housing](#)

Wire/Cable Type

Ribbon Cable

**Electrical**

Current - Maximum per Contact

1A

Voltage - Maximum

250V

**Solder Process Data**

Lead-free Process Capability

Wave Capable (TH only)

**Material Info**

**Reference - Drawing Numbers**

Sales Drawing

SDA-90571

This document was generated on 06/08/2010

**PLEASE CHECK [WWW.MOLEX.COM](http://WWW.MOLEX.COM) FOR LATEST PART INFORMATION**



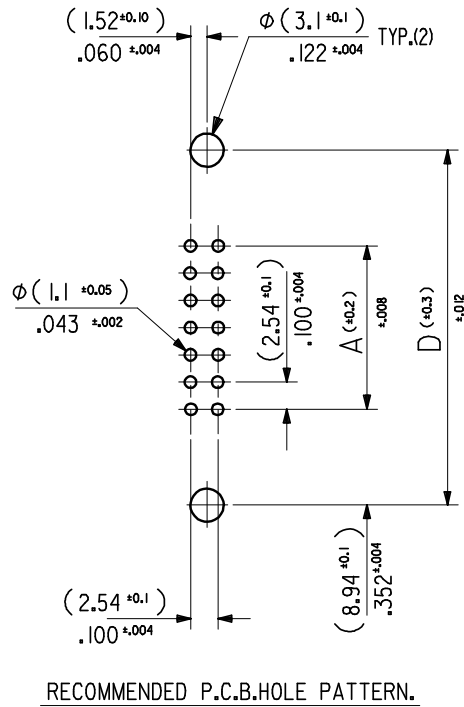
DIMENSIONS FOR SELECTIVE PLATING'S, SCALE 4:1

- NOTES:
- 1: FOR MATERIAL SPECIFICATION SEE NOTE 1. ON SHEET 2.
  - 2: FOR RECOMMENDED P.C.B.HOLE PATTERN, PART No's AND UNSTATED DIMENSIONS SEE SHEET 2.
  - 3: PRODUCT SPEC. No. :PS 99020-0015



|   |                               |                                       |                     |                          |   |   |                        |  |  |
|---|-------------------------------|---------------------------------------|---------------------|--------------------------|---|---|------------------------|--|--|
| CHANGED GEN TOL.<br>EC NO: E2008-0461<br>DRWN: NIKI ERNAN 2008/03/05<br>CHKD: 2008/03/06<br>APPR: BMAGUIRE 2008/03/06 | QUALITY SYMBOLS<br>▼ =<br>▽ = | GENERAL TOLERANCES (UNLESS SPECIFIED) |                     | DIMENSION STYLE<br>IN/MM | SCALE<br>2:1  | DESIGN UNITS<br>INCH                                    | THIRD ANGLE PROJECTION |  |  |
|   |                               | 4 PLACES ± .005 ±                     | 3 PLACES ± ±        | DRAWN BY<br>SM           | DATE<br>3 /8/90   | TITLE<br>QIK FLECS<br>WIPE FEMALE<br>MOLEX INCORPORATED |                        |  |  |
| REV   | DESCRIPTION                   | 2 PLACES ±0.15 ±.005                  | 1 PLACE ±0.02 ±.008 | CHECKED BY<br>X          | DATE  | DOCUMENT NO.<br>SDA-90571                               |                        |  |  |
|   |                               | ANGULAR ±1/2°                         |                     | APPROVED BY<br>X         | DATE  | SHEET NO.<br>1 OF 4                                     |                        |  |  |
| DRAFT WHERE APPLICABLE MUST REMAIN WITHIN DIMENSIONS  |                               |                                       |                     | MATERIAL NO.             | THIS DRAWING CONTAINS INFORMATION THAT IS PROPRIETARY TO MOLEX INCORPORATED AND SHOULD NOT BE USED WITHOUT WRITTEN PERMISSION |   |                        |  |  |

|               |               |               |               |                |                         |                         |                         |                     |                |
|---------------|---------------|---------------|---------------|----------------|-------------------------|-------------------------|-------------------------|---------------------|----------------|
| (78.74)/3.100 | (86.34)/3.400 | (90.52)/3.564 | (96.62)/3.804 | (100.74)/3.966 | 90571-1641              | 90571-1642              | 90571-1643              | 64                  |                |
| (73.66)/2.900 | (81.26)/3.200 | (85.44)/3.364 | (91.54)/3.604 | (95.66)/3.766  | ↑ -1601                 | ↑ -1602                 | ↑ -1603                 | 60                  |                |
| (60.96)/2.400 | (68.56)/2.700 | (72.74)/2.864 | (78.84)/3.104 | (82.96)/3.266  | -1501                   | -1502                   | -1503                   | 90571-1509          |                |
| (48.26)/1.900 | (55.86)/2.200 | (60.04)/2.364 | (66.14)/2.604 | (70.26)/2.766  | -1401                   | -1402                   | -1403                   | ↑ -1409             |                |
| (40.64)/1.600 | (48.24)/1.900 | (52.42)/2.064 | (58.52)/1.304 | (62.64)/2.466  | -1341                   | -1342                   | -1343                   | -1349               |                |
| (35.56)/1.400 | (43.16)/1.700 | (47.34)/1.864 | (53.44)/2.104 | (57.56)/2.266  | -1301                   | -1302                   | -1303                   | -1309               |                |
| (30.48)/1.200 | (38.08)/1.500 | (42.26)/1.664 | (48.36)/1.904 | (52.48)/2.066  | -1261                   | -1262                   | -1263                   | -1269               |                |
| (22.86)/.900  | (30.46)/1.200 | (34.64)/1.364 | (40.74)/1.604 | (44.86)/1.766  | -1201                   | -1202                   | -1203                   | -1209               |                |
| (17.78)/.700  | (25.38)/1.000 | (29.56)/1.164 | (35.66)/1.404 | (39.78)/1.566  | -1161                   | -1162                   | -1163                   | -1169               |                |
| (15.24)/.600  | (22.84)/.900  | (27.02)/1.064 | (33.12)/1.304 | (37.24)/1.466  | ↓ -1141                 | ↓ -1142                 | ↓ -1143                 | ↓ -1149             |                |
| (10.16)/.400  | (17.76)/.700  | (21.94)/.864  | (28.04)/1.104 | (32.16)/1.266  | 90571-1101              | 90571-1102              | 90571-1103              | 90571-1109          |                |
| A             | B             | C             | D             | E              | ENG. NO.<br>GS1 PLATING | ENG. NO.<br>GS2 PLATING | ENG. NO.<br>GS3 PLATING | ENG. NO.<br>PRE TIN | NO.OF<br>CKTS. |



**NOTES**

**1.MATERIAL**

HEADER : GLASS FILLED POLYESTER (UL 94V0), COLOUR - BLACK.  
 PINS : BRASS SIZE  $\square$  (0.635)/.025 .  
 LEVER : GLASS FILLED POLYESTER (UL 94V0), COLOUR - BLACK.

**2.COLOUR IDENTIFICATION MARK FOR PLATING OPTIONS.**

90571-1\*\*1, (1um)/39uin MIN. NICKEL UNDERPLATE. CONTACT AREA  
 GS1 PLATING (0.1um)/4uin MIN. GOLD. SOLDER AREA (3um)/118uin MIN.  
 TIN. COLOUR MARK: YELLOW.  
 90571-1\*\*2, (1um)/39uin MIN. NICKEL UNDERPLATE. CONTACT AREA  
 GS2 PLATING (0.76um)/30uin MIN. GOLD. SOLDER AREA (3um)/118uin MIN.  
 TIN. COLOUR MARK: BROWN.  
 90571-1\*\*3, (1um)/39uin MIN. NICKEL UNDERPLATE. CONTACT AREA  
 GS3 PLATING (0.25um)/10uin MIN. GOLD. SOLDER AREA (3um)/118uin MIN.  
 TIN. COLOUR MARK: BLUE.  
 90571-1\*\*9, (0.5-1um)/20-40uin NICKEL UNDER (1.0-3.0um)/39-118uin TIN.  
 PRE-TIN COLOUR MARK: BLACK, (NO MARK).

**3. RECOMMENDED PCB THICKNESS 1.6mm**

|   |                               |                                       |   |                           |   |                     |                      |                        |                      |
|---|-------------------------------|---------------------------------------|---|---------------------------|---|---------------------|----------------------|------------------------|----------------------|
| CHANGED GEN TOL.<br>EC NO: E2008-0461<br>DRWN:ILK/ERNAN 2008/03/05<br>CHKD: 2008/03/06<br>APPR:BMAGUIRE 2008/03/06            | QUALITY SYMBOLS<br>▽ =<br>▽ = | GENERAL TOLERANCES (UNLESS SPECIFIED) |   | DIMENSION STYLE<br>IN/MM  |   | SCALE<br><b>2:1</b> | DESIGN UNITS<br>INCH | THIRD ANGLE PROJECTION |                      |
|   |                               | 4 PLACES                              | ± | ---                       | ± | mm                  | INCH                 | DRAWN BY<br>SM SM      | DATE<br>3 / 8 / 2000 |
|   |                               | 3 PLACES                              | ± |                           | ± |                     |                      | CHECKED BY<br>X        | DATE                 |
|   |                               | 2 PLACES                              | ± | 0.15                      | ± | 0.005               |                      | APPROVED BY<br>X       | DATE                 |
|   |                               | 1 PLACE                               | ± | 0.20                      | ± | 0.008               |                      |                        |                      |
|   |                               | ANGULAR ±1/2°                         |   |                           |   |                     |                      |                        |                      |
| DRAFT WHERE APPLICABLE<br>MUST REMAIN<br>WITHIN DIMENSIONS  |                               | MATERIAL NO.<br>SEE CHART             |   | DOCUMENT NO.<br>SDA-90571 |   | SHEET NO.<br>2 OF 4 |                      | MOLEX INCORPORATED     |                      |
| THIS DRAWING CONTAINS INFORMATION THAT IS PROPRIETARY TO MOLEX INCORPORATED AND SHOULD NOT BE USED WITHOUT WRITTEN PERMISSION |                               |                                       |   |                           |   |                     |                      |                        |                      |