

**PLEASE CHECK WWW.MOLEX.COM FOR LATEST PART INFORMATION**

**Part Number:** [0857305050](#)  
**Status:** **Active**  
**Overview:** [rj45 industrial ethernet plugs receptacles and accessories](#)  
**Description:** Modular PCB Receptacle, RJ-45, Push/Pull, Industrial Hybrid, Panel Feed Through, Category 5, Shielded, IP67, 4 Power Contacts

**Documents:**

[Drawing \(PDF\)](#) [RoHS Certificate of Compliance \(PDF\)](#)

**General**

Product Family	Modular Jacks/Plugs
Series	<a href="#">85730</a>
Component Type	PCB Jack
Magnetic	No
Overview	<a href="#">rj45 industrial ethernet plugs receptacles and accessories</a>
Performance Category	5
Power over Ethernet (PoE)	N/A
Product Name	Industrial, RJ45

**Physical**

Color - Resin	Black
Durability (mating cycles max)	500
Inverted / Top Latch	No
Keying to Mating Part	None
Lightpipes/LEDs	None
Material - Metal	Phosphor Bronze
Material - Plating Mating	Gold
Material - Plating Termination	Gold
Material - Resin	Polycarbonate
Orientation	Right Angle (Side Entry)
PCB Locator	Yes
PCB Retention	Yes
Packaging Type	Tray
Panel Mount	Front
Ports	1
Positions / Loaded Contacts	8/8
Temperature Range - Operating	-40°C to +70°C
Termination Interface: Style	Through Hole
Wire/Cable Type	Round

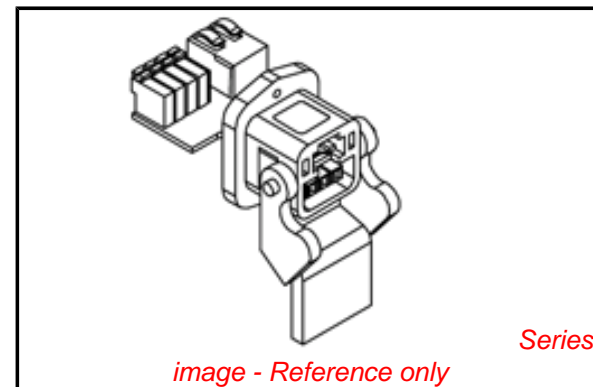
**Electrical**

Current - Maximum per Contact	16A
Grounding to PCB	Yes
Grounding to Panel	Yes
Shielded	Yes
Voltage - Maximum	48V

**Material Info**

**Reference - Drawing Numbers**

Application Specification	AS-85730-002
Sales Drawing	SD-85730-004



*image - Reference only*

*Series*

**EU RoHS**

**ELV and RoHS  
Compliant  
REACH SVHC  
Not Reviewed  
Halogen-Free  
Status  
Not Reviewed**

**China RoHS**



**Need more information on product  
environmental compliance?**

Email [productcompliance@molex.com](mailto:productcompliance@molex.com)  
For a multiple part number RoHS Certificate of Compliance, [click here](#)

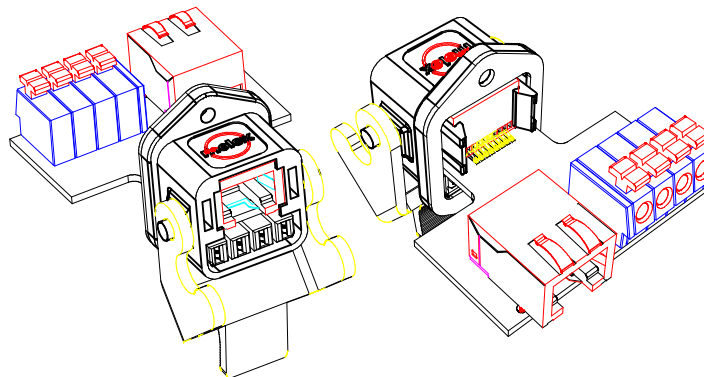
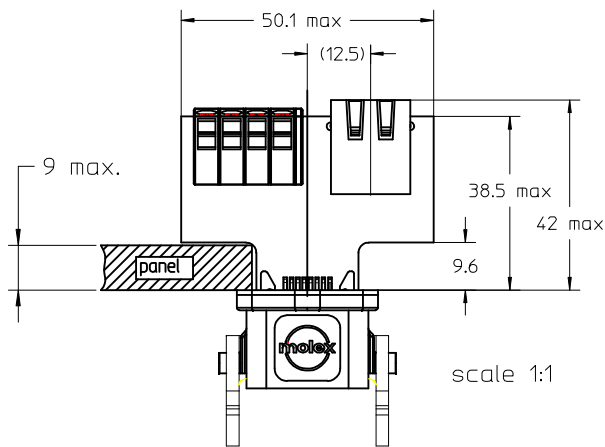
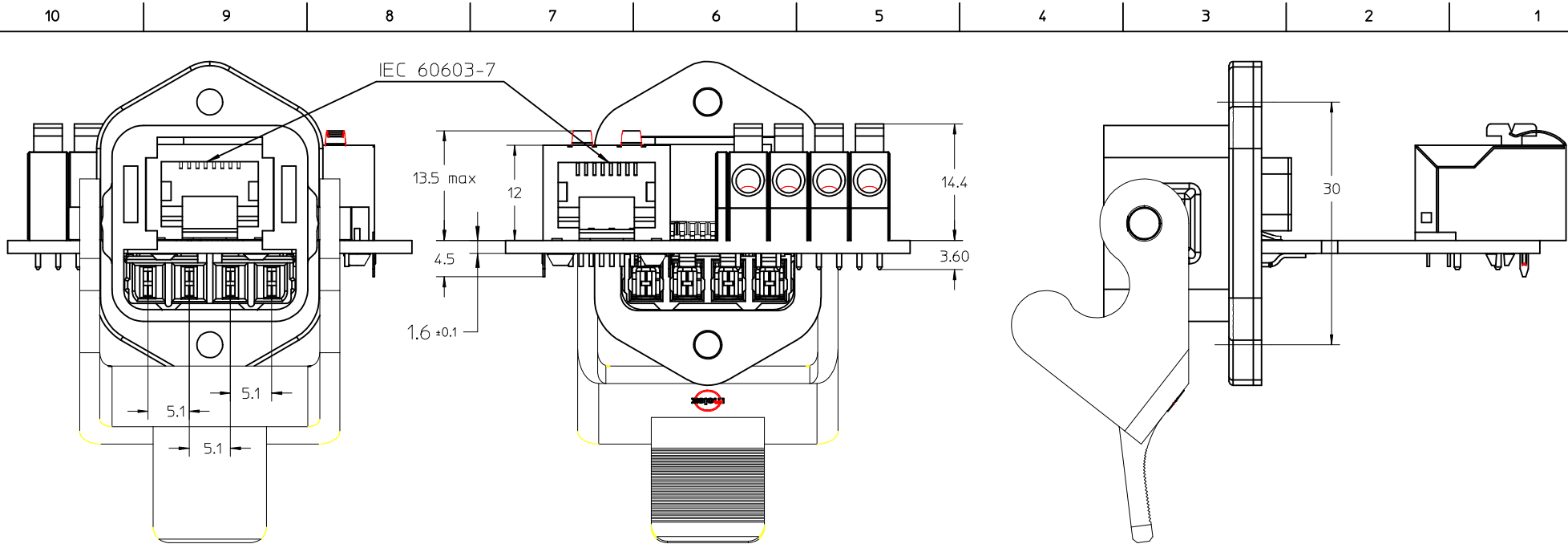
Please visit the [Contact Us](#) section for any non-product compliance questions.

**Search Parts in this Series**

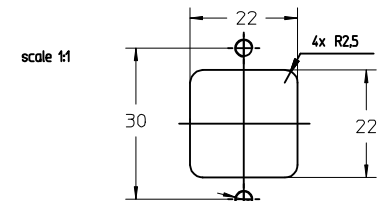
[85730Series](#)

**Mates With**

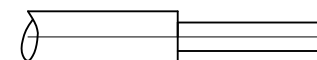
[RJ-45 Jacks and Accessories](#)



- 1) recommended wire: 0.5 to 2.5 mm<sup>2</sup>
- 2) maximal current intensity 16 Amps
- 3) maximal panel thickness 9 mm
- 4) recommended panel cutout



- 5) recommended wire insulator cut <sup>M3</sup> or 3.2



ENTER DESCRIPTION		QUALITY SYMBOLS		GENERAL TOLERANCES (UNLESS SPECIFIED)		DIMENSION STYLE		SCALE	DESIGN UNITS	FIRST ANGLE PROJECTION	
EC NO: MG2006-0187		DESCRIPTION		mm INCH		MM ONLY		2:1	METRIC		
2008/12/19	2008/12/19	DRWN:CSEBASTI	2008/12/19	4 PLACES	± ---	± ---	DRAWN BY	DATE	TITLE	<b>RJ INDUSTRIAL HYBRID PCB W. POWER CAGE CLAMP 16A AND RJ45 MOD. JACK</b>  <b>MOLEX INCORPORATED</b>	
2008/12/19	2008/12/19	CHKD:RSILLER	2008/12/19	3 PLACES	± ---	± ---	CHECKED BY	DATE			
2008/12/19	2008/12/19	APPR:AVOGT	2008/12/19	2 PLACES	± ---	± ---	APPROVED BY	DATE			
				1 PLACE	± ---	± ---	KNOLLER	05/06/21			
				ANGULAR ± 2 °							
DRAFT WHERE APPLICABLE MUST REMAIN WITHIN DIMENSIONS				MATERIAL NO.		85730-5050		DOCUMENT NO.		SD-85730-004	
REV 2				SIZE		A3		THIS DRAWING CONTAINS INFORMATION THAT IS PROPRIETARY TO MOLEX INCORPORATED AND SHOULD NOT BE USED WITHOUT WRITTEN PERMISSION			
				SHEET NO.		1 OF 1					