

**PLEASE CHECK WWW.MOLEX.COM FOR LATEST PART INFORMATION**

**Part Number:** [0190180015](#)  
**Status:** **Active**  
**Description:** VibraKrimp™ Quick Disconnect, Female, for 14-16 (2.00-1.30) Wire, Mylar Tape, Tab 6.35mm (.250") x 0.81mm (.032")

**Documents:**

[Drawing \(PDF\)](#) [RoHS Certificate of Compliance \(PDF\)](#)  
[Product Specification PS-19902-005 \(PDF\)](#)

**Agency Certification**

CSA LR18689  
 UL E79133

**General**

Product Family Quick Disconnects  
 Series [19018](#)  
 Comments Butted Seam  
 Crimp Quality Equipment Yes  
 Product Name VibraKrimp™  
 Type Quick Disconnect

**Physical**

Barrel Type Closed  
 Gender Female  
 Glow-Wire Compliant No  
 Insulation None  
 Lock to Mating Part None  
 Material - Metal Brass  
 Orientation Straight  
 Packaging Type Adhesive Tape on Reel  
 Polarized to Mating Part No  
 Tab Thickness 0.81mm (.032")  
 Tab Width 6.35mm (.250")  
 Temperature Range - Operating Per Wire Specification  
 Wire Insulation Diameter 2.10-3.70mm (.085-.145")  
 Wire Size AWG 14, 16  
 Wire Size mm<sup>2</sup> 1.30 - 2.00

**Electrical**

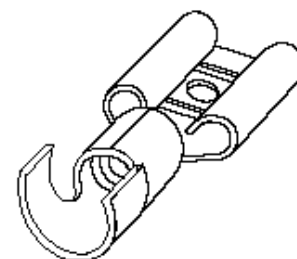
Voltage - Maximum Per Wire Specification

**Material Info**

Old Part Number BB-4177T

**Reference - Drawing Numbers**

Product Specification PS-19902-005  
 Sales Drawing CD51002



Series

image - Reference only

**EU RoHS**

**ELV and RoHS Compliant**  
**REACH SVHC Contains SVHC: No**  
**Halogen-Free Status**

**China RoHS**



**Need more information on product environmental compliance?**

Email [productcompliance@molex.com](mailto:productcompliance@molex.com)  
 For a multiple part number RoHS Certificate of Compliance, [click here](#)

Please visit the [Contact Us](#) section for any non-product compliance questions.

**Search Parts in this Series**

[19018Series](#)

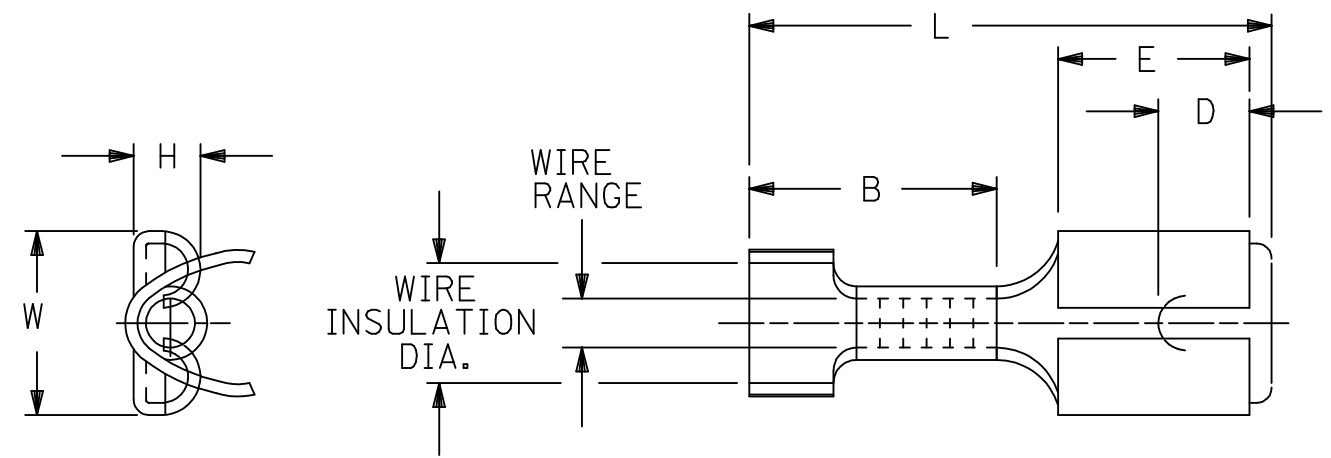
**Application Tooling | [FAQ](#)**

*Tooling specifications and manuals are found by selecting the products below. Crimp Height Specifications are then contained in the Application Tooling Specification document.*

**Global**

Description	Product #
ATP Perishable Tool Kit used in ATP presses that process product on tape	<a href="#">0190270079</a>

DRWG. NO. CD-51002



MATERIAL: BRASS

"VIBRAKRIMP"  
 CLOSED ELECTRICAL BARREL W/OPEN VIBRATION SUPPORT  
 LOOSE PIECE QUICK DISCONNECTS

NON-PLATED PART NUMBER	TIN-PLATED PART NUMBER	AWG WIRE RANGE	FITS MALE TAB SIZE	STOCK THICK.	"L" MAX.	"B" ± 1/64	"W" ± 1/64	"D" ± .01	"H" ± 1/64	"E" ± 1/64	REF. WIRE INSULATION DIAMETER
	AA-4176	22-18	.250x.032	.016	.802	2/64	.301	.156	7/64	.310	.060/.125
	BB-4177	16-14	.250x.032	.016	.802	2/64	.301	.156	7/64	.310	.085/.145
	P-4178	14-12	.250x.032	.016	.802	2/64	.301	.156	7/64	.310	.100/.175

REVISE ONLY ON CAD SYSTEM		CUSTOMER DRAWING	DRWG. BY EMF	molex ETC INC. PINELLAS PARK, FLA. 34665 U.S.A.	SHEET NO.	DATE
TITLE VIBRAKRIMP - LOOSE .250 TAB- QUICK DISCONNECT CLOSED ELEC./OPEN VIB. SUP'T.			CHK'D. BY JM		PART NO. SEE TABLE	DRWG. NO. CD-51002
			APP'D. BY RWD	FILE NAME CD51002	THIS DRAWING CONTAINS INFORMATION THAT IS PROPRIETARY TO MOLEX-ETC INC. AND SHOULD NOT BE USED WITHOUT WRITTEN PERMISSION.	
			SCALE NO:NE			