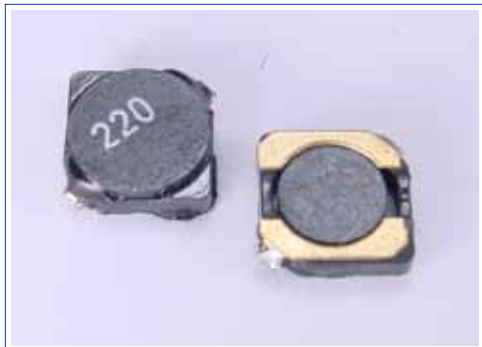


SHIELDED SMD POWER INDUCTOR



P173D15 SERIES



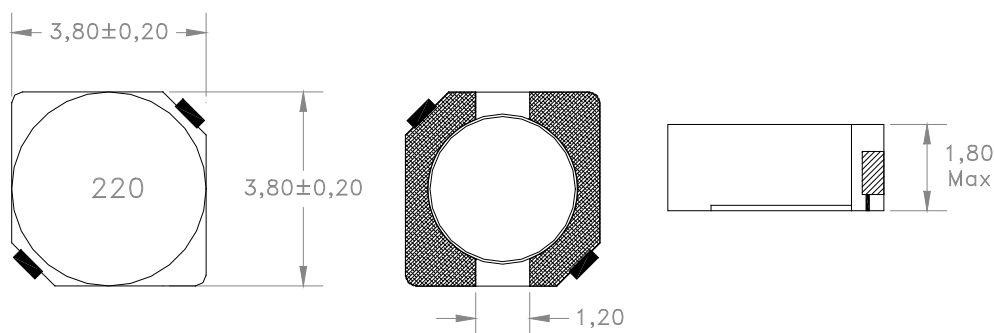
- RoHS Compliant Product
- Operating Temperature: -40°C to +85°C
- Inductance measured : < 100µH : 10KHz, 0.25V_{RMS}
 ≥ 100µH : 1KHz, 0.25V_{RMS}
- Inductance Tolerance: K=±10%, L=15±%, M=±20%
 Add suffix letter for tolerance after the part number
- I_{RATED}: Max 10% inductance drop and ΔT=40°C Temp Rise

ELECTRICAL SPECIFICATION @ 25°C

Part number	L ±20% (µH)	DCR Max (mW)	RATED I _{DC} (A)
P173D15-			
3R3	3.3	66	0.80
3R9	3.9	81	0.75
4R7	4.7	91	0.68
5R6	5.6	102	0.62
6R8	6.8	130	0.58
8R2	8.2	140	0.51
100	10	190	0.46
120	12	205	0.42
150	15	272	0.38
181	18	327	0.34
220	22	356	0.31
270	27	470	0.28
330	33	560	0.26
390	39	700	0.24
470	47	775	0.21

Mechanical

Schematic



Dimensions

Unless otherwise specified, all tolerances are:
 mm: X,X : ± 0,38 X,XX : ±0,25

Product performance is limited to specified parameter. Data is subject to change without prior notice.

P173D15-XX
0603JW

13200 Estrella Ave., Bldg. B
Gardena, CA 90248

Tel: (310) 325-1043
Fax: (310) 325-1044

www.mpsind.com
sales@mpsind.com