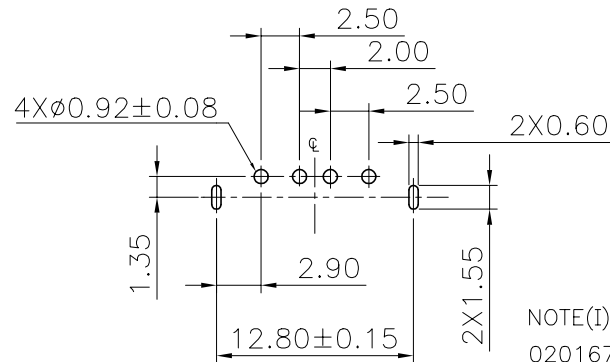
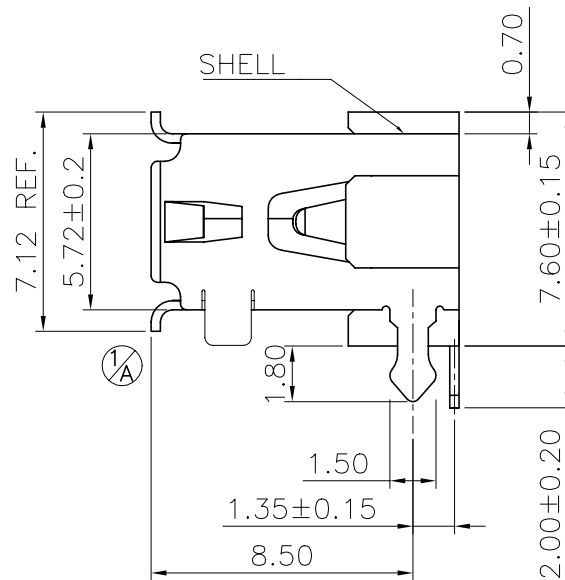
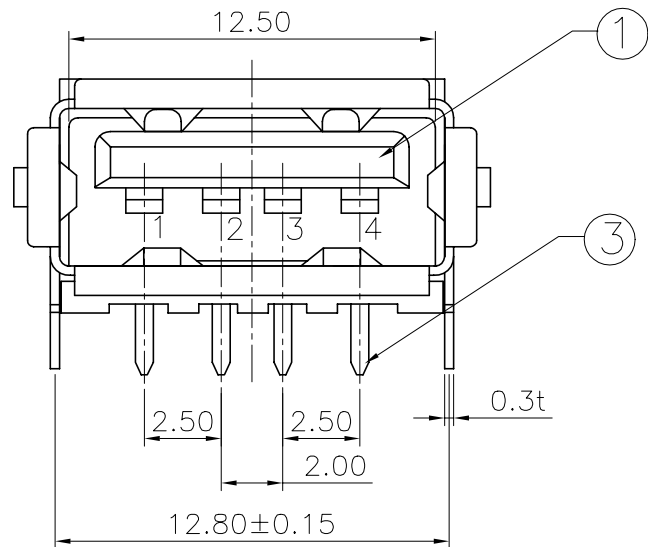


Recommended P.C.B Layout (Component Side)



NOTE(I):  $\frac{1}{B}$   
020167MR□□□□01ZR  
1 2

1. No. of pins.
2. Selective plating
  - 'S1,-05u" Min. gold in contact area/  
100u" Min. Tin in solder area.
  - 'S2,-Gold flash in contact area/  
100u" Min. Tin in solder area.
  - 'S3,-10u" Min. gold in contact area/  
100u" Min. Tin in solder area.
  - 'S4,-15u" Min. gold in contact area/  
100u" Min. Tin in solder area.
  - 'S5,-30u" Min. gold in contact area/  
100u" Min. Tin in solder area.
  - 'S6,-50u" Min. gold in contact area/  
100u" Min. Tin in solder area.



4			
3	Terminol	Pho. Bronze	Selective Gold/Tin
2	LATCH	Brass	Nickel Plated
1	Plastic	P. B. T	BLACK UL 94V-0
NO.	DESCRIPTION	MATERIAL	COLOR
			REMARK

**SUYIN**  
CONNECTOR

CUSTOMER COPY TITLE: USB SERIES A, R/A TRIPLE PORT DIP TYPE

	B		B1: 增加電鍍系列			Angle	±2°	DRAW	李碧華	02/09/19	PART NO.	020167MR004SX01ZR
	A		A1: 鐵殼變更	李碧華	宋權哲	30 ~	±0.50	DESIGN	李碧華	02/09/19	PART NO. (OLD)	
	O	02/09/19	NEW			10 ~ 30	±0.30	CHECK	宋權哲	02/09/19	DRAWING NO.	D
ECN (DCN) NO.	REV	DATE	DESCRIPTION	CHANGE	APPRO.	~ 10	±0.15	APPRO.	宋權哲	02/09/19	ING	020167MR004SX01ZR
						GENERAL TOLERANCE UNLESS OTHERWISE NOTED					SCALE	4:1
											UNIT	mm
											A4	$\oplus$ $\square$