

SPECTRUM 100

STR100



DESCRIPTION

Spectrum STR100 is a multifunction luminaire designed to create various visual environments. Up lighting delivers an ambient lighting comfort, with an optional dual switch or dimmable function for optimized light control.

A set of two Circline T5/HO lamps are positioned to achieve a shallow 24" diameter shade, coupled with an optional Metal halide down light module and a choice of T6 / Metal halide ceramic lamps, AR111 Metal halide or a dimmable Halogen reflector lamp (AR111) for a precise beam accent.

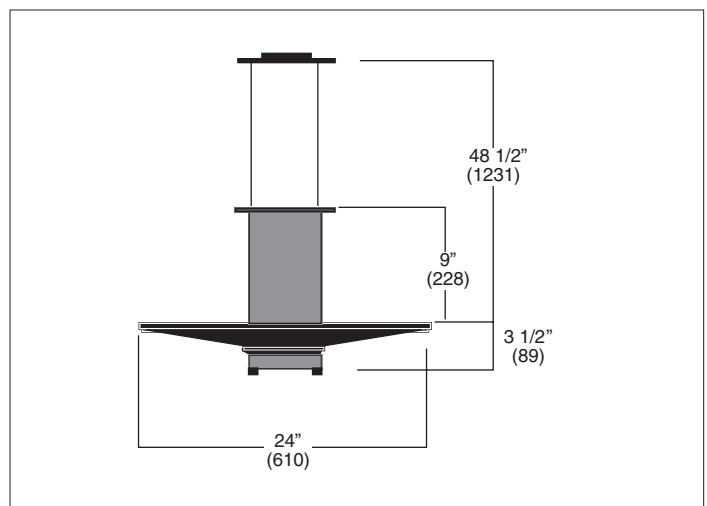
Additional flexibility is provided with an optional dual switching between up and down lighting. STR100 is fully adjustable with a set of self-locking 36" long suspension cables.

An exclusive independent rotative suspension cable plate allows final luminaire alignment after installation.

STR100 is an appropriate and ideal lighting solution for spaces such as offices, amphitheatres, halls, lobbies and retail store applications.

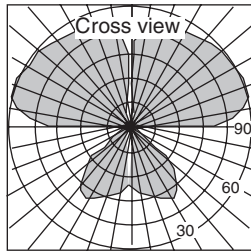
SPECIFICATION

- Finish:** Baked polyester powder coating preceded with a 5 stage preparation process.
- Electrical:** 125°C polycarbonate fluorescent socket with spring loaded G12 porcelain body for T6 lamp.
- C.F.L. & H.I.D.:** 98% Power factor electronic smart ballast 120/277V - 50/60 HZ with end of life detection.
- 1- Elliptical cover plate for quick electrical inspection and installation.
 - 2- On site self locking adjustable 36" long suspension cables.
 - 3- Standard 4/18 armored silver power cable.
 - 4- Extruded aluminum elliptical ballast housing with swing out access door for quick and ease of maintenance.
 - 5- 24" Dia. aluminum shallow up-light reflector.
 - 6- Extruded aluminum lamp trim.
 - 7- Tempered prismatic frosted lens for T6 lamp.
 - 8- Choice of two types of down light sources to optimize light beam control.



PHOTOMETRY

Please visit our web site www.luminis.com for complete I.E.S formatted download data.



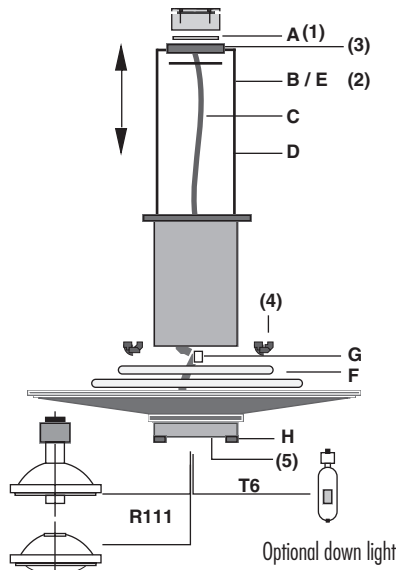
CERTIFICATION

Tested to UL1598 standards, cULus listed dry location.

MAX. WEIGHT

14 Lbs / 6.4 Kg

MOUNTING



Luminaire mounts to a standard 4" octagonal connection box requiring 3 1/2" c/c mounting.

- A. Install universal mounting plate (1) with 4" electrical ceiling connection box.
- B. Install canopy assembly (3) with universal mounting plate (1).
- C. Execute electrical connections through opening in canopy cover (3).
- D. Adjust self locking suspension cables to desired height and level luminaire horizontally.
- E. Close connection cover.
- F. Install circline T5 lamps and secure shade to ballast module using top wing nuts (4).
- G. Connect luminaire shade assembly using factory installed quick connector.
- H. Quarter turn buttons to remove bottom lens or trim lamp support (5) to install the AR111 reflector lamp or T6 lamp. (Lamps are not included.)

LUMINAIRE SELECTION

MODEL#

LAMP SELECTION

VOLTAGE

FINISH

STR100

FLUORESCENT (Standard)

UP LIGHTING - T5/HO Circline

- FC122 1X22W
- FC140 1X40W or 1X55W (Single lamp)

- FC222 1X22W & 1X40W
- FC240 1X22W & 1X55W (Two lamps)



METAL HALIDE & HALOGEN (Optional)

DOWN LIGHTING

- M39T
- M70T

- M20R (120V only)
- M35R
- M70R

- H50R
- H75R



T6/G12 H.I.D.

R111 H.I.D.

R111 Halogen

- 120 V
- 277 V

STANDARD COLORS

- WHT:** Snow white
- BKT:** Jet black
- BZT:** Bronze
- MST:** Matte silver
- GRT:** Titanium gray
- DGT:** Gun metal
- CHT:** Champagne

Luminaires are factory prewired for 120 V (If no voltage is specified.) For other voltages, please specify with catalog number, or consult factory.

(Refer to color chart)

OPTIONS

MOUNTING

- CL**
Suspension

Longer suspension cable with power cord. 36" (914) lg. and higher. (Please specify length)



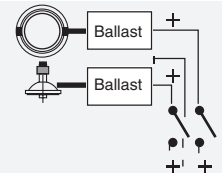
- STC**

36" (914) lg. Seismic cable attached to mounting plate mounted to building structure.

ELECTRICAL

- DS4**
Dual switch

Luminaire with 2 lamps individually externally controlled.



- EM42: (Note 1)**
1 lamp (26/32/42W) Emergency ballast battery back up. Integral test switch.
- EM43: (Note 1)**
1 lamp (55W) Remote emergency battery back up.

Time: 90 Mnts -120/277V / T 0° C



DIMMING

T5/HO - Up light dimming

- 120V 277V
- DM1-120 DM1-277** 1X22/40W
- DM4-120 DM4-277** 1X55W (Single lamp)
- DM3-120 DM3-277** 1X22/40W
- DM8-120 DM8-277** 1X22/40W or 55W (Two lamps)



Standard dimming ballast
MARK X 60HZ / EOL protection
Dimming: 5-100%
Min. start. temp. 10°C (50°F)
Burn lamps 100 hrs at full light output before dimming.

R111 HALOGEN - Down light dimming

- 120V 277V
- DM7-120 DM7-277**

NOTES

NOTE 1: Use of DM and EM options are not compatible with the same luminaire.

Luminaires may be altered for design improvements or discontinued without prior notice. Unless specified, lamps are not included with luminaires.