



CL7128A CL7128AE

Laser Processed Logic Device Family

- ◆ Laser Processed Logic Device (LPLD™) technology offers the ultimate combination of performance, flexibility, and low cost
- ◆ Functionally, architecturally, and electrically compatible with industry-standard Altera® MAX® 7000
- ◆ High Density
 - 2,500 Usable gates
 - 128 Macrocells
 - 100 Maximum user I/O pins
- ◆ Laser fuse technology provides very fast, dense interconnect routing
- ◆ Low current consumption
- ◆ Supports 3.3 volt operation
- ◆ Alpha particle immune

CL7000 Product Family Overview

Feature	CL7128A CL7128AE	CL7256A CL7256AE	CL7512A
Useable Gates	2,500	5,000	10,000
Macrocells	128	256	512
Logic array Blocks	8	16	32
Max user I/O pins	100	164	212
Speed Grades	-4, -5, -6, -7, -10, -12	-4, -5, -6, -7, -10, -12	-6, -7, -10, -12
Packages	84-Pin PLCC 100-Pin TQFP 100-Pin BGA 144-Pin TQFP	100-Pin TQFP 100-Pin BGA 144-Pin TQFP 208-Pin PQFP 256-Pin BGA	144-Pin TQFP 208-Pin PQFP 256-Pin BGA

7KA tbl 01A

Description

The Clear Logic CL7000 Laser Processed Logic Device (LPLD[®]) family offers the ultimate combination of performance, flexibility, and cost. This family is a system level second source to Altera MAX[®] 7000A products. For designs not requiring in-system reprogrammability, design verification can be performed using the programmable Altera devices, and Clear Logic LPLDs can be used for low cost, high volume production.

Clear Logic's innovative laser-based technology eliminates NRE costs, test vector development, ordering minimums and long lead times. No re-simulation or re-layout is required, as the device uses a cell-based, PLD-like architecture. Clear Logic's NoFault[®] technology ensures complete test coverage through the use of specialized testing modes which are transparent to the user.

The Clear Logic CL7000 Laser Processed Logic Device family is based upon a large array of macrocells. Each macrocell contains a logic array with five product terms, a product-term select matrix, and a configurable register. A group of sixteen macrocells forms a block. Laser-configured metal fuses implement logical functions and control signal routing.

Laser configuration provides reduced cost and enhanced performance. These inherent performance benefits include extremely consistent propagation delays, reduced power consumption, and improved immunity to noise and upset events.

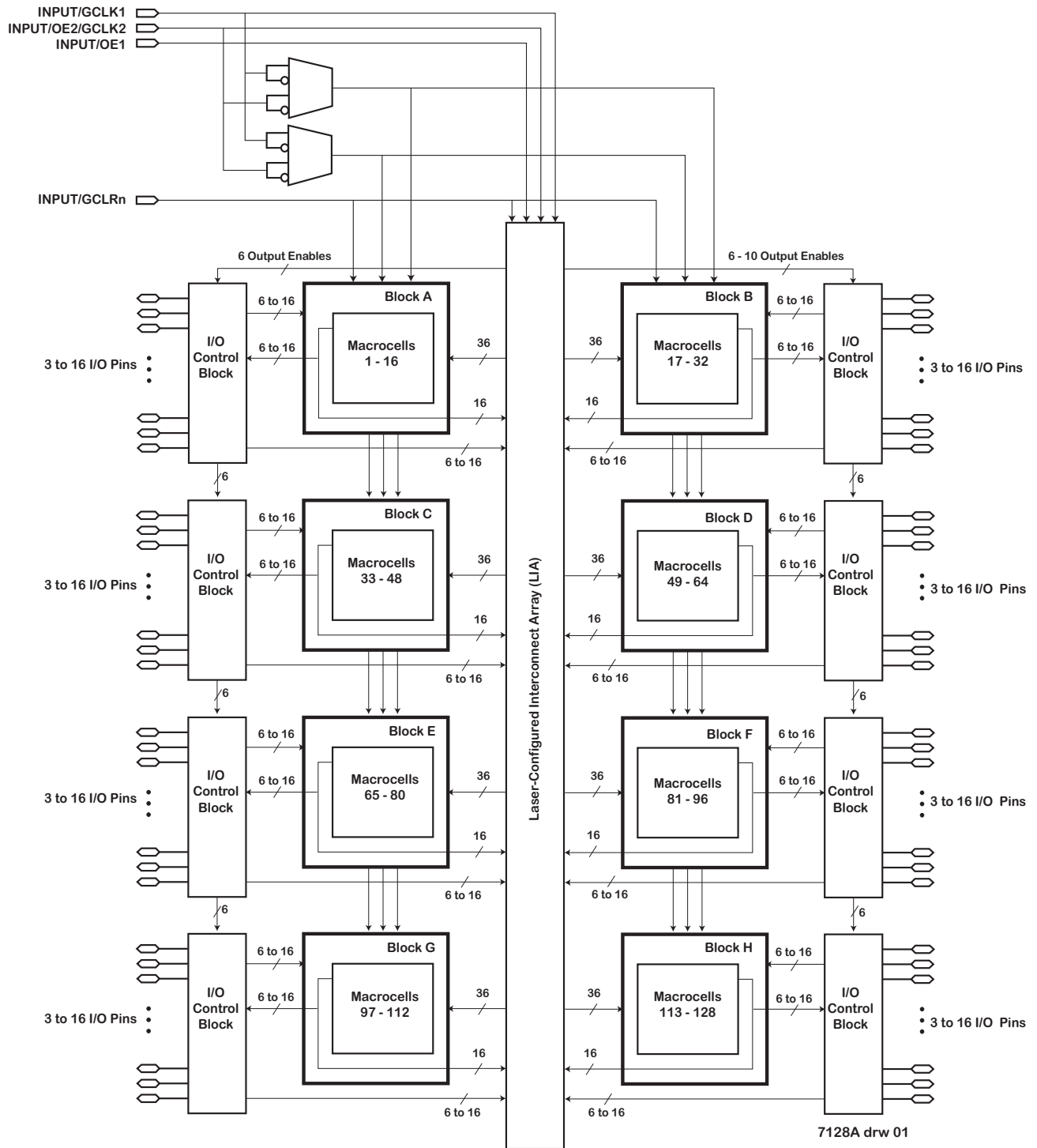
Additional Information

For further information on designing with the CL7000 LPLD family, please consult the following documents:

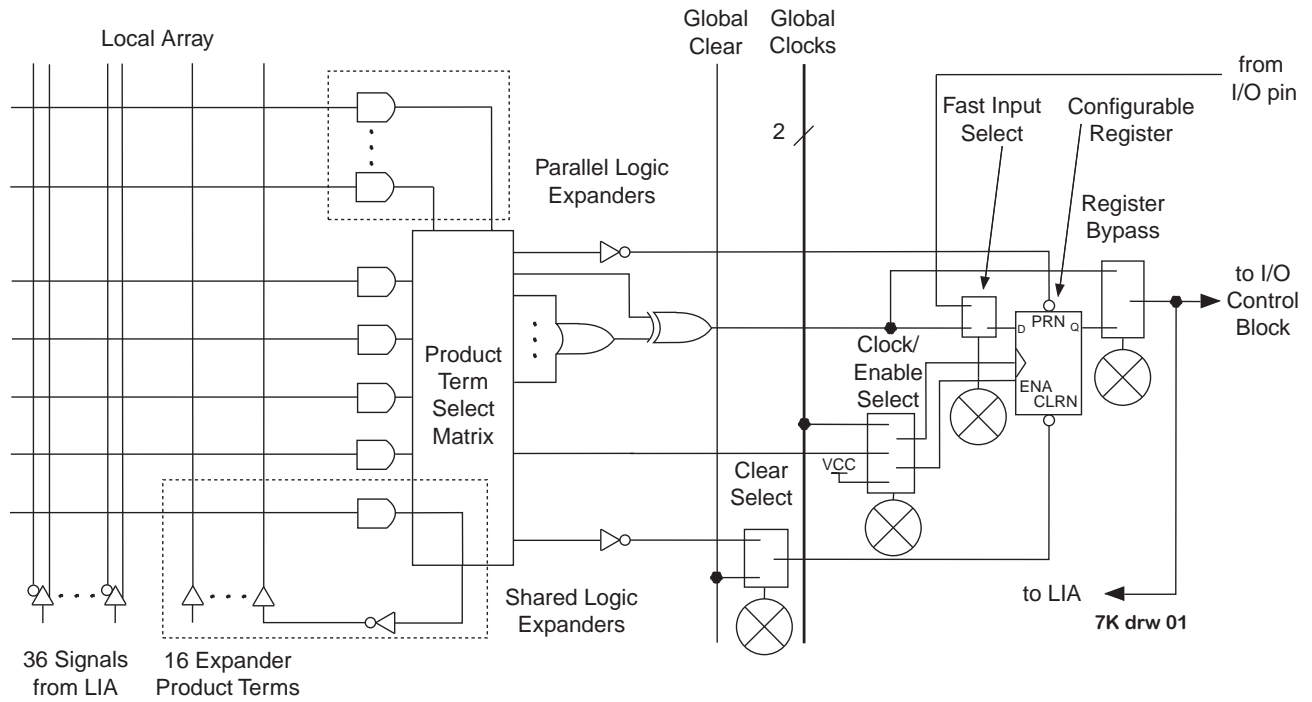
- ◆ AN-01: Requesting a First Article. This document provides instructions on how to submit a bitstream file for generation of first articles.
- ◆ AN-02: Clear Logic Packaging Guide. This document provides specifications and drawings for packages used by the CL7000 family.
- ◆ AN-09: CL7000 Technology White Paper. This document outlines the technologies employed by the CL7000 LPLD family.
- ◆ AN-10: Calculating CL7000 Power Consumption. This document provides guidelines for calculating power consumption based on design characteristics.
- ◆ AN-11: CL7000 Test Methodology. This document describes how Clear Logic provides 100% stuck-at fault coverage.

- ◆ AN-12: CL7000 LPLD Timing and Function Compatability. This document shows how a seamless conversion from CPLD to ASIC can be achieve with no additional engineering with Clear Logic.

Block Diagram



Macrocell Diagram



Pin Configuration

Pin Name	84 pin PLCC	100 pin TQFP	100 pin FBGA	144 pin TQFP	256 pin FBGA
INPUT/GCLK1	83	87	A6	125	D9
INPUT/GCLRn	1	89	B5	127	E8
INPUT/OE1	84	88	B6	126	E9
INPUT/OE2/GCLK2	2	90	A5	128	D8
TDI	14	4	A1	4	D4
TMS	23	15	F3	20	J6
TCK	62	62	F8	89	J11
TDO	71	73	A10	104	D13
GNDINT	42, 82	38, 86	D6, G5	52, 57, 124, 129	A8, C9, G9, K8, P9
GND	7, 19, 32, 47, 59, 72	11, 26, 43, 59, 74, 95	C3, D7, E5, F6, G4, H8	3, 13, 17, 33, 59, 64, 85, 105, 135	A3, B10, C2, D14, F6, G10, H8, J9, K7, L11, M3, P6, P10, R2, R3, T1, T15
VCCINT	3, 43	39, 91	D5, G6	51, 58, 123, 130	B9, C8, G8, K9, P8
VCCIO	13, 26, 38, 53, 66, 78	3, 18, 34, 51, 66, 82	C8, D4, E6, F5, G7, H3	24, 50, 73, 76, 95, 115, 144	B3, B5, C14, E15, F11, G3, G7, G15, H9, J8, K10, L3, L6, M15, P14, T2, T3
NC (No Connect)	-	-	-	1, 2, 12, 19, 34, 35, 36, 43, 46, 47, 48, 49, 66, 75, 90, 103, 108, 120, 121, 122	A1, A2, A4, A5, A6, A7, A9, A10, A11, A12, A13, A14, A15, A16, B1, B2, B4, B6, B7, B8, B11, B12, B13, B14, B15, B16, C1, C3, C4, C6, C11, C13, C15, C16, D1, D2, D3, D15, D16, E1, E2, E3, E14, E16, F1, F2, F15, F16, G1, G2, G14, G16, H1, H2, H15, H16, J1, J2, J15, J16, K1, K2, K3, K14, K15, K16, L1, L2, L15, L16, M1, M14, M16, N1, N2, N3, N14, N15, N16, P1, P2, P3, P4, P12, P13, P15, P16, R1, R4, R5, R6, R7, R8, R9, R11, R12, R13, R14, R15, R16, T4, T5, T6, T7, T8, T9, T10, T11, T12, T13, T14, T16
Total user I/O pins	68	84	84	100	100

DC Electrical Specifications

Recommended Operating Conditions

Symbol	Parameter	Conditions	Min	Max	Unit
V _{CCINT}	Supply voltage, internal logic and input buffers		3.0	3.6	V
V _{CCIO}	Supply voltage for output drivers		3.3 volt operation	3.6	V
			2.5 volt operation	2.7	V
V _I	Input voltage		-0.5	5.75	V
V _O	Output voltage		0	V _{CCIO}	V
T _A	Ambient Operating temperature		Commercial temperature range	70	°C
			Industrial temperature range	85	°C
T _J	Ambient Operating temperature		Commercial temperature range	90	°C
			Industrial temperature range	105	°C
t _R	Input signal rise time			40	ns
t _F	Input signal fall time			40	ns
t _{RVCC}	V _{CC} rise time			100	ms

7KA tbl 02

Absolute Maximum Ratings

Symbol	Parameter	Conditions	Min	Max	Unit
V _{CC}	Supply voltage	With respect to ground	-0.5	4.6	V
V _I	DC input voltage ^[1]	With respect to ground	-2.0	5.8	V
I _{OUT}	DC output current, per pin		-25	25	mA
T _{STG}	Storage temperature	No bias	-65	150	°C
T _A	Ambient temperature	Under bias	-65	135	°C
T _J	Junction temperature	Fineline BGA, PQFP, and TFPF packages, Under bias		135	°C

7KA tbl 03

DC Electrical Specifications cont.

DC Electrical Characteristics (over the operating range)

Symbol	Parameter	Conditions	Min	Max	Unit
V_{IH}	High-level input Voltage		1.7	5.75	V
V_{IL}	Input LOW Voltage ^[1]		-0.5	0.8	V
V_{OH}	3.3-V high-level TTL output Voltage	$I_{OH} = -8 \text{ mA DC}, V_{CCIO} = 3.00 \text{ V}$	2.4		V
	3.3-V high-level CMOS output Voltage	$I_{OH} = -0.1 \text{ mA DC}, V_{CCIO} = 3.00 \text{ V}$	$V_{CCIO}-0.2$		V
	2.5-V high-level output Voltage	$I_{OH} = -100 \mu\text{A DC}, V_{CCIO} = 2.30 \text{ V}$	2.1		V
		$I_{OH} = -1 \text{ mA DC}, V_{CCIO} = 2.30 \text{ V}$	2.0		
		$I_{OH} = -2 \text{ mA DC}, V_{CCIO} = 2.30 \text{ V}$	1.7		
V_{OL}	3.3-V high-level TTL output Voltage	$I_{OH} = 8 \text{ mA DC}, V_{CCIO} = 3.00 \text{ V}$		0.45	V
	3.3-V high-level CMOS output Voltage	$I_{OH} = 0.1 \text{ mA DC}, V_{CCIO} = 3.00 \text{ V}$		0.2	V
	2.5-V high-level output Voltage	$I_{OH} = 100 \mu\text{A DC}, V_{CCIO} = 2.30 \text{ V}$		0.2	V
		$I_{OH} = 1 \text{ mA DC}, V_{CCIO} = 2.30 \text{ V}$		0.4	V
		$I_{OH} = 2 \text{ mA DC}, V_{CCIO} = 2.30 \text{ V}$		0.7	V
I_{IN}	Input Leakage Current	$V_I = V_{CC}$ or GND	-10	10	μA
I_{OZ}	Output Leakage Current	$V_O = V_{CC}$ or GND	-10	10	μA

7KA tbl 04

Capacitance

Symbol	Parameter	Conditions	Min	Max	Unit
C_{IN}	Input Capacitance	$V_{IN} = 0 \text{ V}, f = 1.0 \text{ MHz}$		8	pF
C_{OUT}	Output Capacitance	$V_{OUT} = 0 \text{ V}, f = 1.0 \text{ MHz}$		8	pF

7KA tbl 05

AC Electrical Specifications

I/O Element Timing Parameters

Symbol	Parameter	Conditions	Speed: -4		Speed: -5		Speed: -6		Unit
			Min	Max	Min	Max	Min	Max	
t _{PD1}	Input to non-registered output	C _L = 35 pF		4.5		5.0		6.0	ns
t _{PD2}	I/O input to non-registered output	C _L = 35 pF		4.5		5.0		6.0	ns
t _{SU}	Global clock setup time		3.0		3.2		3.7		ns
t _H	Global clock hold time		0.0		0.0		0.0		ns
t _{FSU}	Global clock setup time of fast input		2.5		2.5		2.5		ns
t _{FH}	Global clock hold time of fast input		0.0		0.0		0.5		ns
t _{CO1}	Global clock to output delay	C _L = 35 pF	1.0	2.8	1.0	3.0	1.0	3.3	ns
t _{CH}	Global clock high time		2.0		2.0		3.0		ns
t _{CL}	Global clock low time		2.0		2.0		3.0		ns
t _{ASU}	Array clock setup time		1.4		1.0		0.8		ns
t _{AH}	Array clock hold time		0.8		0.8		1.9		ns
t _{ACO1}	Array clock to output delay	C _L = 35 pF		4.4		5.2	1.0	6.2	ns
t _{ACH}	Array clock high time		2.0		2.0		3.0		ns
t _{ACL}	Array clock low time		2.0		2.0		3.0		ns
t _{CNT}	Minimum global clock period			5.2		5.5		6.4	ns
f _{CNT}	Max. internal global clock frequency		192.3		181.8		156.3		MHz
t _{ACNT}	Minimum array clock period			5.2		5.5		6.4	ns
f _{ACNT}	Max. internal array clock frequency		192.3		181.8		156.3		MHz

7KA tbl 06A1

AC Electrical Specifications cont.

External Timing Parameters

Speed: -7 Speed: -10 Speed: -12

Symbol	Parameter	Conditions	Min	Max	Min	Max	Min	Max	Unit
t _{PD1}	Input to non-registered output	C _L = 35 pF		7.5		10.0		12.0	ns
t _{PD2}	I/O input to non-registered output	C _L = 35 pF		7.5		10.0		12.0	ns
t _{SU}	Global clock setup time		4.9		6.6		7.8		ns
t _H	Global clock hold time		0.0		0.0		0.0		ns
t _{FSU}	Global clock setup time of fast input		3.0		3.0		3.0		ns
t _{FH}	Global clock hold time of fast input		0.0		0.0		0.0		ns
t _{CO1}	Global clock to output delay	C _L = 35 pF	1.0	4.5	1.0	5.9	1.0	7.1	ns
t _{CH}	Global clock high time		3.0		4.0		5.0		ns
t _{CL}	Global clock low time		3.0		4.0		5.0		ns
t _{ASU}	Array clock setup time		1.6		2.1		2.4		ns
t _{AH}	Array clock hold time		2.1		3.4		4.4		ns
t _{ACO1}	Array clock to output delay	C _L = 35 pF		7.8		10.4		12.5	ns
t _{ACH}	Array clock high time		3.0		4.0		5.0		ns
t _{ACL}	Array clock low time		3.0		4.0		5.0		ns
t _{CNT}	Minimum global clock period			8.4		11.2		13.3	ns
f _{CNT}	Max. internal global clock frequency		119.0		89.3		75.2		MHz
t _{ACNT}	Minimum array clock period			8.4		11.2		13.3	ns
f _{ACNT}	Max. internal array clock frequency		119.0		89.3		75.2		MHz

7KA tbl 06A2

AC Electrical Specifications cont.

Internal Timing Parameters ^[4]			Speed: -4		Speed: -5		Speed: -6		
Symbol	Parameter	Conditions	Min	Max	Min	Max	Min	Max	Unit
t _{IN}	Input pad and buffer delay			0.3		0.3		0.3	ns
t _{IO}	I/O input pad and buffer delay			0.3		0.3		0.3	ns
t _{FIN}	Fast input delay			2.6		2.6		2.4	ns
t _{SEXP}	Shared expander delay			1.9		2.4		2.8	ns
t _{PEXP}	Parallel expander delay			0.6		0.6		0.5	ns
t _{LAD}	Logic array delay			1.9		2.5		2.5	ns
t _{LAC}	Logic control array delay			1.8		2.3		2.5	ns
t _{IOE}	Internal output enable delay			0.0		0.0		0.2	ns
t _{OD1}	Output buffer and pad delay Slow slew rate = off, V _{CCIO} = 5.0 V	C _L = 35 pF		0.3		0.4		0.3	ns
t _{OD2}	Output buffer and pad delay Slow slew rate = off, V _{CCIO} = 3.3 V	C _L = 35 pF		0.8		0.9		0.8	ns
t _{OD3}	Output buffer and pad delay Slow slew rate = on, V _{CCIO} = 5.0 V or 3.3 V	C _L = 35 pF		5.3		5.4		5.3	ns
t _{ZX1}	Output buffer enable delay Slow slew rate = off, V _{CCIO} = 5.0 V	C _L = 35 pF		4.0		4.0		4.0	ns
t _{ZX2}	Output buffer enable delay Slow slew rate = off, V _{CCIO} = 3.3 V	C _L = 35 pF		4.5		4.5		4.5	ns
t _{ZX3}	Output buffer enable delay Slow slew rate = on, V _{CCIO} = 5.0 V or 3.3 V	C _L = 35 pF		9.0		9.0		9.0	ns
t _{XZ}	Output buffer disable delay	C _L = 5 pF ^[3]		4.0		4.0		4.0	ns
t _{SU}	Register setup time		1.4		0.8		1.0		ns
t _H	Register hold time		0.8		1.0		1.7		ns
t _{FSU}	Register setup time of fast input		0.9		0.8		1.2		ns
t _{FH}	Register hold time of fast input		1.6		1.7		1.3		ns
t _{RD}	Register delay			1.2		1.4		1.6	ns
t _{COMB}	Combinatorial delay			1.3		1.0		1.6	ns
t _{IC}	Array clock delay			1.9		2.3		2.7	ns
t _{EN}	Register enable time			1.8		2.3		2.5	ns
t _{GLOB}	Global control delay			1.0		0.9		1.1	ns
t _{PRE}	Register preset time			2.3		2.6		2.3	ns
t _{CLR}	Register clear time			2.3		2.6		2.3	ns
t _{LIA}	LIA delay			0.7		0.8		1.3	ns

7KA tbl 07A1

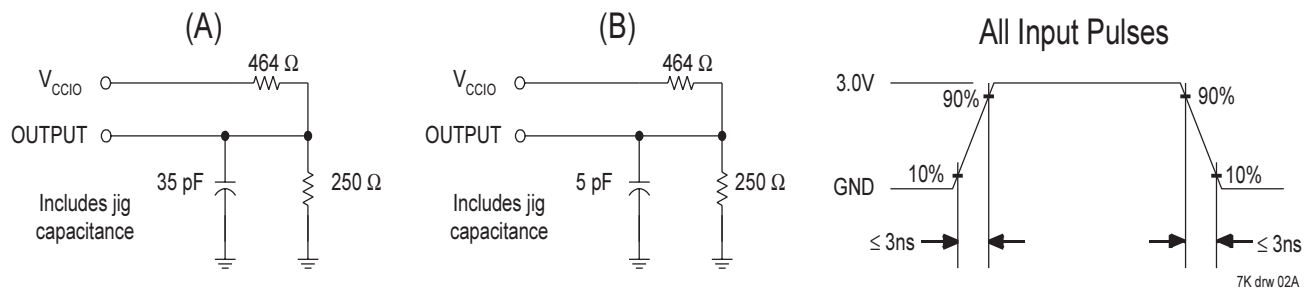
AC Electrical Specifications cont.

Internal Timing Parameters^[4]

Symbol	Parameter	Conditions	Speed: -7		Speed: -10		Speed: -12		Unit
			Min	Max	Min	Max	Min	Max	
t _{IN}	Input pad and buffer delay			0.4		0.6		0.7	ns
t _{IO}	I/O input pad and buffer delay			0.4		0.6		0.7	ns
t _{FIN}	Fast input delay			3.3		3.7		4.1	ns
t _{SEXP}	Shared expander delay			3.6		4.9		5.9	ns
t _{PEXP}	Parallel expander delay			0.8		1.1		1.3	ns
t _{LAD}	Logic array delay			3.7		5.0		6.0	ns
t _{LAC}	Logic control array delay			3.4		4.6		5.6	ns
t _{IOE}	Internal output enable delay			0.0		0.0		0.0	ns
t _{OD1}	Output buffer and pad delay Slow slew rate = off, V _{CCIO} = 5.0 V	C _L = 35 pF		0.6		0.7		0.9	ns
t _{OD2}	Output buffer and pad delay Slow slew rate = off, V _{CCIO} = 3.3 V	C _L = 35 pF		1.1		1.2		0.4	ns
t _{OD3}	Output buffer and pad delay Slow slew rate = on, V _{CCIO} = 5.0 V or 3.3 V	C _L = 35 pF		5.6		5.7		5.9	ns
t _{ZX1}	Output buffer enable delay Slow slew rate = off, V _{CCIO} = 5.0 V	C _L = 35 pF		4.0		5.0		5.0	ns
t _{ZX2}	Output buffer enable delay Slow slew rate = off, V _{CCIO} = 3.3 V	C _L = 35 pF		4.5		5.5		5.5	ns
t _{ZX3}	Output buffer enable delay Slow slew rate = on, V _{CCIO} = 5.0 V or 3.3 V	C _L = 35 pF		9.0		10.0		10.0	ns
t _{ZX}	Output buffer disable delay	C _L = 5 pF ^[3]		4.0		5.0		5.0	ns
t _{SU}	Register setup time		1.3		1.7		2.0		ns
t _H	Register hold time		2.4		3.8		4.8		ns
t _{FSU}	Register setup time of fast input		1.1		1.1		1.1		ns
t _{FH}	Register hold time of fast input		1.9		1.9		1.9		ns
t _{RD}	Register delay			2.1		2.8		3.3	ns
t _{COMB}	Combinatorial delay			1.5		2.0		2.4	ns
t _{IC}	Array clock delay			3.4		4.6		5.6	ns
t _{EN}	Register enable time			3.4		4.6		5.6	ns
t _{GLOB}	Global control delay			1.4		1.8		2.2	ns
t _{PRE}	Register preset time			3.9		5.2		6.2	ns
t _{CLR}	Register clear time			3.9		5.2		6.2	ns
t _{LIA}	LIA delay			1.3		1.7		2.0	ns

7KA tbl 07A2

AC Test Conditions



Notes to Tables

1. During transitions, inputs may undershoot to -2.0V for periods shorter than 20ns. Otherwise, minimum DC input voltage is 0.3V.
2. Typical values are at V_{CC} of 5.0 volts and ambient temperature of 25 °C.
3. Guaranteed but not tested. Characterized initially, and after any design changes which may affect these parameters.
4. Internal timing delays are based on characterization, and cannot be explicitly tested. Internal timing parameters should be used for performance estimation only.

Revision History

- | | |
|---------------|--|
| 11 Jan. 1999: | Created preliminary document. |
| 31 July 1999: | Created full document. |
| 13 Oct. 1999: | Corrected typographical error in AC Test Condition diagram (W changed to Ω) also corrected timing in 10ns External Timing Paramiters |
| 1 Dec. 2000: | Updated application note reference. |

Ordering Information

Part Number	Temperature Range	Package Type	Speed	Altera Equivalent
CL7128ALC84-12	Commercial	84-pin Plastic LCC	-12	EPM7128ALC84-12
CL7128ALC84-10			-10	EPM7128ALC84-10
CL7128ALC84-7			-7	EPM7128ALC84-7
CL7128ALC84-6			-6	EPM7128ALC84-6
CL7128ALC84-5			-5	EPM7128ALC84-5
CL7128ALC84-4			-4	N/A
CL7128ATC100-12		100-pin Thin QFP	-12	EPM7128ATC100-12
CL7128ATC100-10			-10	EPML7128ATC100-10
CL7128ATC100-7			-7	EPM7128ATC100-7
CL7128ATC100-6			-6	EPM7128ATC100-6
CL7128ATC100-5			-5	EPM7128ATC100-5
CL7128ATC100-4			-4	N/A
CL7128ATI100-10	Industrial		-10	EPML7128ATI100-10
CL7128AFC100-12	Commercial	100-pin FBGA	-12	EPM7128AFC100-12
CL7128AFC100-10			-10	EPM7128AFC100-10
CL7128AFC100-7			-7	EPM7128AFC100-7
CL7128AFC100-6			-6	EPM7128AFC100-6
CL7128AFC100-5			-5	EPM7128AFC100-5
CL7128AFC100-4			-4	N/A
CL7128ATC144-12		144-pin Thin QFP	-12	EPM7128ATC144-12
CL7128ATC144-10			-10	EPM7128ATC144-10
CL7128ATC144-7			-7	EPM7128ATC144-7
CL7128ATC144-6			-6	EPM7128ATC144-6
CL7128ATC144-5			-5	EPM7128ATC144-5
CL7128ATC144-4			-4	N/A
CL7128ATI144-10	Industrial		-10	EPM7128ATI144-10
CL7128ATC144-12	Commercial	256-pin FBGA	-12	EPM7128ATC144-12
CL7128ATC144-10			-10	EPM7128ATC144-10
CL7128ATC144-7			-7	EPM7128ATC144-7
CL7128ATC144-6			-6	EPM7128ATC144-6
CL7128ATC144-5			-5	EPM7128ATC144-5
CL7128ATC144-4			-4	N/A

Ordering Information (cont.)

Part Number	Temperature Range	Package Type	Speed	Altera Equivalent
CL7128AELC84-10	Commercial	84-pin Plastic LCC	-10	EPM7128AELC84-10
CL7128AELC84-7			-7	EPM7128AELC84-7
CL7128AELC84-6			-6	EPM7128AELC84-6
CL7128AELC84-5			-5	EPM7128AELC84-5
CL7128AELC84-4			-4	N/A
CL7128AETC100-10		100-pin Thin QFP	-10	EPML7128AETC100-10
CL7128AETC100-7			-7	EPM7128AETC100-7
CL7128AETC100-6			-6	EPM7128AETC100-6
CL7128AETC100-5			-5	EPM7128AETC100-5
CL7128AETC100-4			-4	N/A
CL7128AETI100-7	Industrial		-7	EPML7128AETI100-7
CL7128AEFC100-10	Commercial	100-pin FBGA	-10	EPM7128AEFC100-10
CL7128AEFC100-7			-7	EPM7128AEFC100-7
CL7128AEFC100-6			-6	EPM7128AEFC100-6
CL7128AEFC100-5			-5	EPM7128AEFC100-5
CL7128AEFC100-4			-4	N/A
CL7128AEFI100-7	Industrial		-7	EPM7128AEFI100-7
CL7128AETC144-10	Commercial	144-pin Thin QFP	-10	EPM7128AETC144-10
CL7128AETC144-7			-7	EPM7128AETC144-7
CL7128AETC144-6			-6	EPM7128AETC144-6
CL7128AETC144-5			-5	EPM7128AETC144-5
CL7128AETC144-4			-4	N/A
CL7128AETI144-7	Industrial		-7	EPM7128AETI144-7
CL7128AETC144-10	Commercial	256-pin FBGA	-10	EPM7128AETC144-10
CL7128AETC144-7			-7	EPM7128AETC144-7
CL7128AETC144-6			-6	EPM7128AETC144-6
CL7128AETC144-5			-5	EPM7128AETC144-5
CL7128AETC144-4			-4	N/A

7128A tbl 03