

PLEASE CHECK WWW.MOLEX.COM FOR LATEST PART INFORMATION

Part Number: **0585500001**
Status: **Active**
Description: HMC™ Rectangular Industrial End Bell Cap Assembly, PG29, 17.00 to 21.00 dia. Wire Size, Brown Bush, for External Threaded Hoods

Documents:

3D Model	Product Specification PS-54478-001 (PDF)
Drawing (PDF)	Product Specification PS-58691-004 (PDF)
Product Specification PS-500810-001 (PDF)	RoHS Certificate of Compliance (PDF)

Agency Certification

TUV R72081037

General

Product Family	I/O Connectors
Series	58550
Application	Panel-Mount, Wire-to-Wire
Component Type	Bell Cap Assembly
Product Name	HMC™
Type	N/A

Physical

Boot Color	N/A
Circuits (Loaded)	N/A
Durability (mating cycles max)	50
Gender	N/A
Lock to Mating Part	Yes
Material - Plating Mating	n/a
Orientation	Vertical
PCB Locator	No
Packaging Type	Bag
Panel Mount	N/A
Pitch - Mating Interface (in)	0.000 In
Pitch - Mating Interface (mm)	0.00 mm
Polarized to Mating Part	N/A
Polarized to PCB	N/A
Surface Mount Compatible (SMC)	N/A
Temperature Range - Operating	-55°C to +105°C
Termination Interface: Style	N/A
Waterproof / Dustproof	No

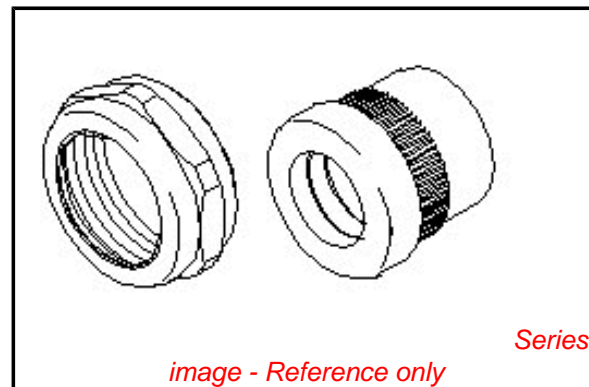
Electrical

Current - Maximum per Contact	2.5A
Shielded	No
Voltage - Maximum	250V AC (RMS)/DC

Material Info

Reference - Drawing Numbers

Product Specification	PS-500810-001, PS-54478-001, PS-58691-004, RPS-500810-001, RPS-58691-003, RPS-58691-004, RPS-58691-005
Sales Drawing	SD-58550-****



EU RoHS

RoHS Compliant by Exemption
REACH SVHC
 Not Reviewed
Halogen-Free
Status
 Not Reviewed

China RoHS



Need more information on product environmental compliance?

Email productcompliance@molex.com
 For a multiple part number RoHS Certificate of Compliance, [click here](#)

Please visit the [Contact Us](#) section for any non-product compliance questions.

Search Parts in this Series

58550Series

Use With

58461-*01* hood, 58462-*01* hood, 58474-*00* wire-to-wire covers, [58696-0010](#) hood

PLEASE CHECK WWW.MOLEX.COM FOR LATEST PART INFORMATION

*** SD-58550-***

DWG. NO.

部番
NO.

部品名
PARTS NAME

個数
QUAN.

材質
MATERIAL

①

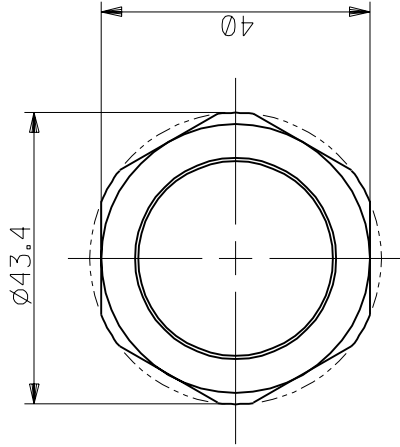
ケーブル キャップ
CABLE CAP

1
黄銅、ニッケルメッキ
BRASS,NI PLATING

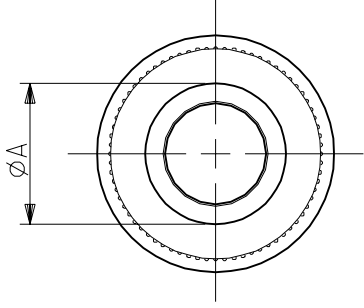
②

ブッシュ
BUSH

1
ポリ塩化ビニル
PVC



END BELL CAP



END BELL BUSH

角度	±3°
以上	+0.3
10 OVER	
以上	+0.25
10 OVER	
未満	+0.2
10 UNDER	

一般公差

DIMENSIONS IN METRIC DO NOT SCALE DRAWING

黄 YELLOW	φ24~φ28	28	58550-00003
橙 ORANGE	φ20~φ25	25	58550-00002
茶 BROWN	φ17~φ21	21	58550-00001
青 BLUE	φ14~φ18	18	58550-00000
ブッシュ色 BUSH COLOR	適用電線径 WIRE SIZE	A	製品番号 ENG. NUMBER

記号 LTR	新規作成 RELEASED	S.A	J.M	97/12/04
	変更内訳 REVISION RECORD	DR	CHK.	DATE

材料 MATERIAL	表参照 SEE TABLE		
仕上げ FINISH	— # —		
適用電線範囲 WIRE RANGE	— # —		
被覆外径 INS. RANGE	— # —		
DRAWN BY	CHK'D BY		
S. Adajama	M. Yamamoto / Y.D. Ota	尺度	
APP'D BY	SCALE	1-1	

材料 MOLEX-JAPAN CO.,LTD. molex 日本モレックス株式会社	
REVISE ONLY ON CAD SYSTEM TITLE 名称	
ROBOT CONN. END BELL CAP SET	
DWG. No.	REV
SD-58550-****	0

THIS DRAWING CONTAINS INFORMATION THAT IS PROPRIETARY TO MOLEX(JAPAN) AND SHOULD NOT BE USED WITHOUT WRITTEN PERMISSION
本図面は日本モレックス(株)の所有する情報を含むもので当社の許可なく複製を禁止する。

58550.DWG

EN-01C(03)MX.1-33