

# SHIELDED SMD POWER INDUCTOR



## P177032C SERIES



- Low profile package
- Low DC resistance
- High current handling capacity
- Operating temperature range: -40°C to +85°C
- Storage temperature range: -40°C to +85°C
- RoHS compliant product

### ELECTRICAL SPECIFICATION @ 20°C

Part Number	Inductance ( $\mu$ H) ( $\pm 20\%$ )	DC Resistance (m $\Omega$ ) ( $\pm 20\%$ )	Rated DC Current (A) (Max)
P177032C-			
3R3M	3.30	23	1.90
4R7M	4.70	36	1.70
6R8M	6.80	41	1.60
100M	10.00	53	1.40
150M	15.00	75	1.10
220M	22.00	110	0.96
330M	33.00	160	0.75
470M	47.00	240	0.67
680M	68.00	310	0.59
101M	100.00	450	0.45
151M	150.00	650	0.37
221M	220.00	1050	0.29
331M	330.00	1670	0.22
471M	470.00	2050	0.20
681M	680.00	3150	0.16
102M	1000.00	4780	0.13

- Inductance measured at 100kHz / 0.5V
- Inductance drop 20% Typical at I<sub>dc</sub> from initial value
- Temperature rise 40 °C Typical at I<sub>dc</sub> from 20 °C

#### Dimensions

Unless otherwise specified, all tolerances are:  
 inch: .XX :  $\pm 0.015$  .XXX :  $\pm 0.004$   
 mm: X,X :  $\pm 0,38$  X,XX :  $\pm 0,10$

Product performance is limited to specified parameters. Data is subject to change without prior notice.

13200 Estrella Ave., Bldg. B  
Gardena, CA 90248

Tel: 310-325-1043  
Fax: 310-325-1044

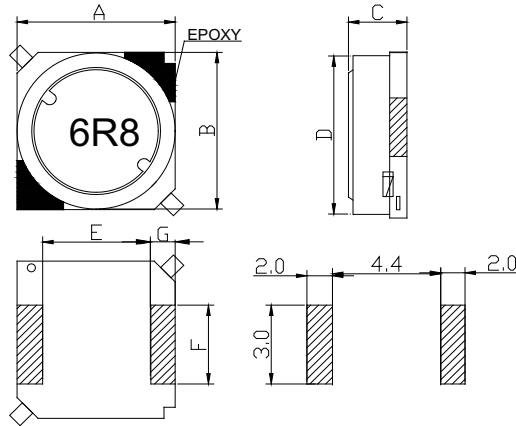
www.mpsind.com  
sales@mpsind.com

# SHIELDED SMD POWER INDUCTOR



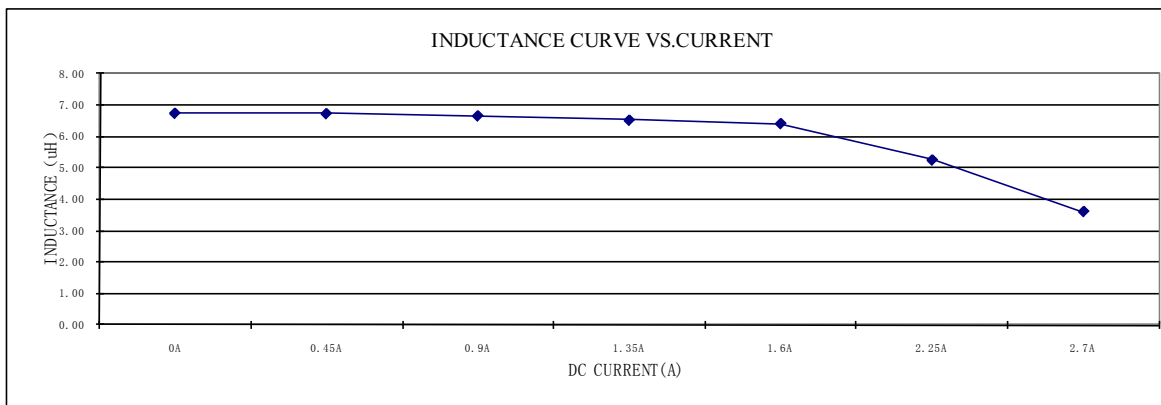
## P177032C SERIES

### DIMENSIONS

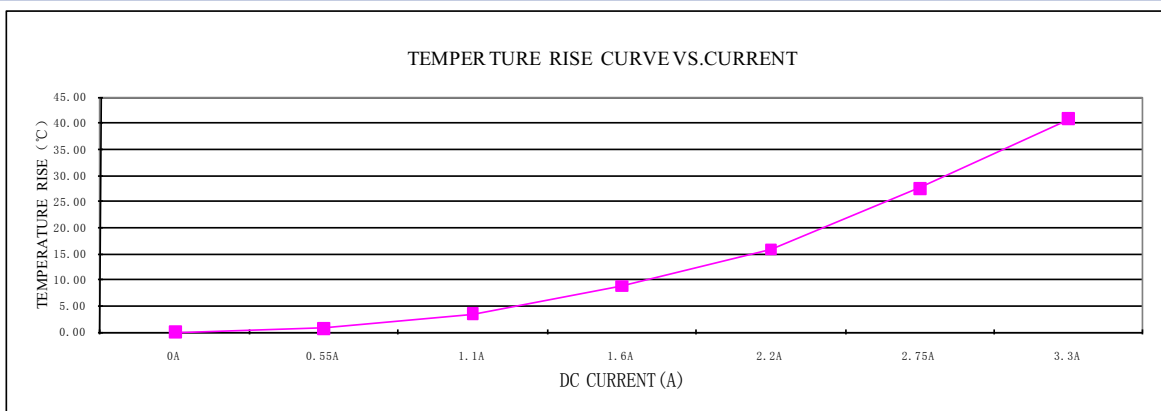


A = 7.0 ± 0.2	mm
B = 7.0 ± 0.2	mm
C = 3.4 max	mm
D = 6.8 ± 0.3	mm
E = 4.5 ref	mm
F = 2.0 ref	mm
G = 1.0 ref	mm

### INDUCTANCE CURVE VS. CURRENT (6.8 µH sample reading)



### TEMPERATURE CURVE VS. CURRENT (6.8 µH sample reading)



Product performance is limited to specified parameters. Data is subject to change without prior notice.

**Dimensions**  
Unless otherwise specified, all tolerances are:  
inch: .XX : ±0.015 .XXX : ±0.004  
mm: X,X : ±0,38 X,XX : ±0,10

13200 Estrella Ave., Bldg. B  
Gardena, CA 90248

Tel: 310-325-1043  
Fax: 310-325-1044

www.mpsind.com  
sales@mpsind.com