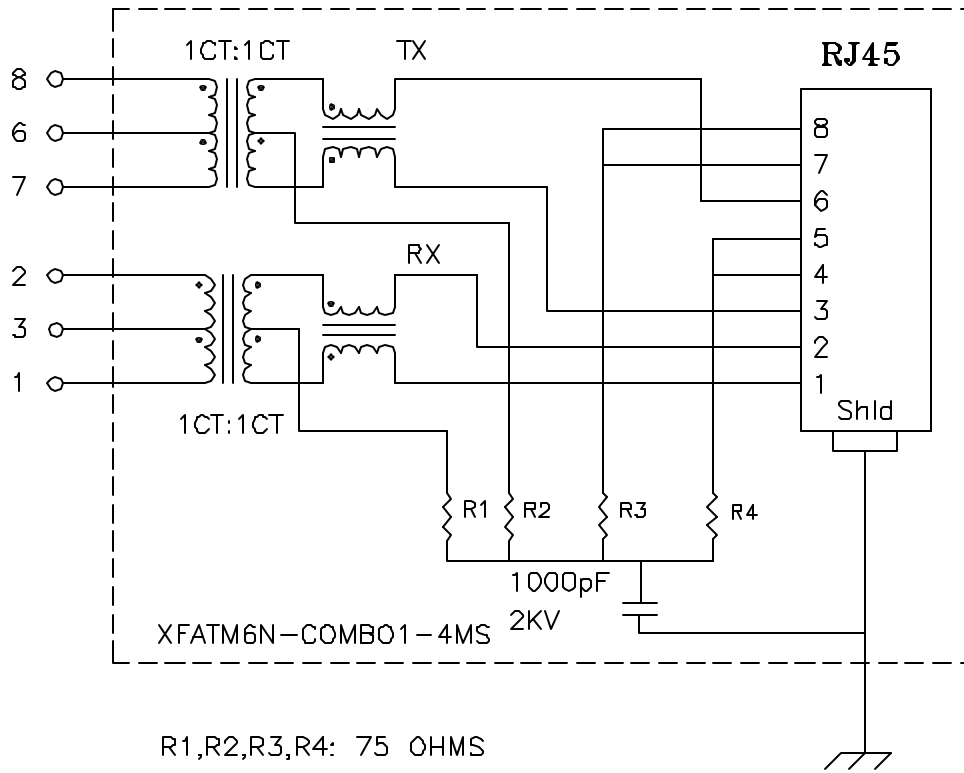


Schematic:



Electrical Specifications: @25°C

- Isolation Voltage: 1500 Vrms (Input to Output)
- Isolation Voltage: 500 Vrms (P1+2+3 to P4+5+6)
- Turns Ratio: TX 1CT:1CT ±3% RX 1CT:1CT ±3%
- CABLE SIDE OCL: 350uH Minimum @100KHz 100mV 8mADC
- Cw/w: 27pF Typical @100KHz 100mV
- Insertion Loss (300KHz-100MHz): 1.0dB Max
- Return Loss: @30MHz 18dB Minimum
- @80MHz 12dB Minimum

Notes:

1. Solderability: Leads shall meet MIL-STD-202, Method 208D for solderability.
2. Flammability: UL94V-0
3. ASTM oxygen index: > 28%
4. Insulation System: Glass F 155°C. UL file E151558
5. Operating Temperature Range: All listed parameters are to be within tolerance from -40°C to +85°C
6. Storage Temperature Range: -55°C to +125°C
7. Aqueous wash compatible
8. SMD Lead Coplanarity: ±0.004" (0.102mm)
9. Moisture Sensitivity: Level 3
10. Electrical and mechanical specifications 100% tested
11. RoHS Compliant Component

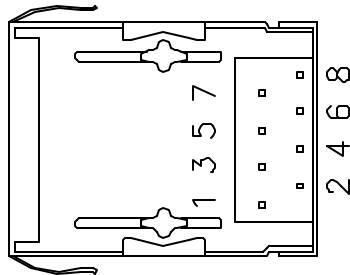
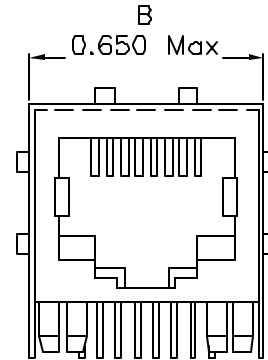
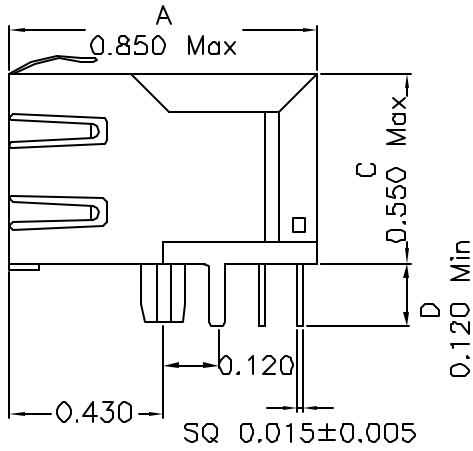
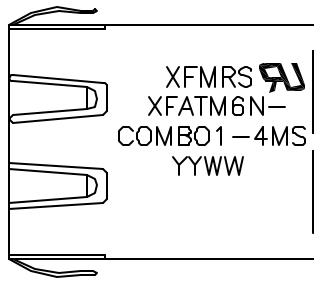
DOC. REV: A/2

XFMRs Inc. www.XFMRS.com	Title: SINGLE PORT COMBO		
	UNLESS OTHERWISE SPECIFIED TOLERANCES: .xxx ±0.010 Dimensions in Inch	P/N: XFATM6N-COMBO1-4MS	REV. A
SHEET 1 OF 2	DWN.	刘鹏	Feb-15-05
	CHK.	李小锋	Feb-15-05
	APP.	J Ng	Feb-15-05

PROPRIETARY:

Document is the property of XFMRs Group & is not allowed to be duplicated without authorization.

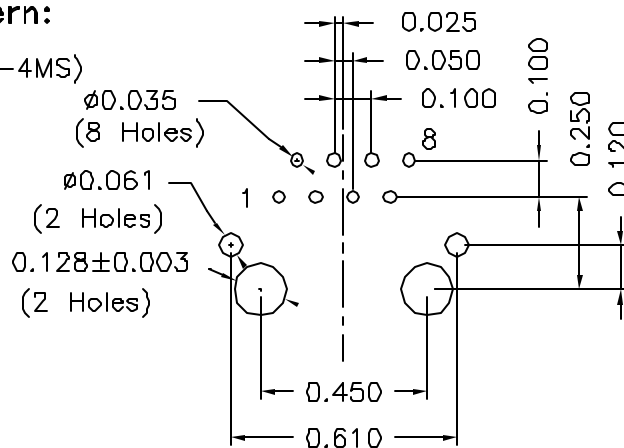
Mechanical Dimensions:



(BOTTOM VIEW)

Mounting Pattern:

(FOR COMBO1-4MS)
(COMP SIDE)



DOC. REV: A/2

XFMRS Inc. www.XFMRS.com	Title: Mechanical Dimensions For COMBO1-4MS Series		
	UNLESS OTHERWISE SPECIFIED TOLERANCES: .xxx ±0.010 Dimensions in Inch	P/N: XFATM6N-COMBO1-4MS	REV. A
	DWN.	李小锋	Feb-15-05
	CHK.	廖玉坤	Feb-15-05
SHEET 2 OF 2	APP.	J Ng	Feb-15-05

PROPRIETARY:

Document is the property of XFMRS Group & is not allowed to be duplicated without authorization.