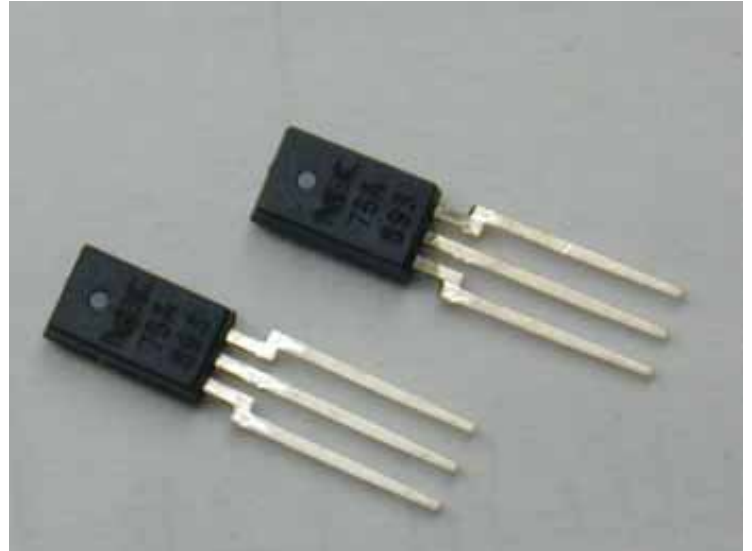


MRSM75

Rotation detection MR sensor

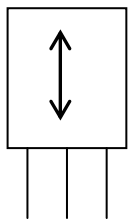
FEATURES

- Rotation Detection sensor
 - Various usages for rotation detection
 - Operating with independent pole
 - Superior Temperature stability
 - Wide operating source voltage
 - No contact detection sensor
 - dependable for various use

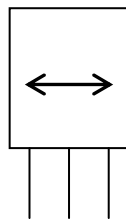


FUNDEMENTAL OPERATION

Direction of Magnetic Field

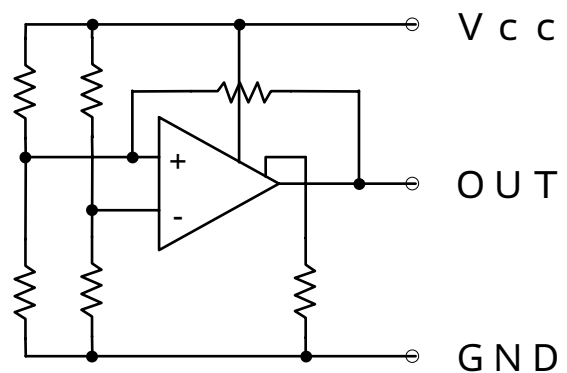


A Direction



B Direction

Circuit Block



PERFORMANCE

Performance Characteristics (Ta = 25±3°C unless otherwise specified)

	Operating require Condition	Output Voltage
When power switch is ON	H = 0 .0mT(Magnetic Flux Density) {0 A/m (Magnetic Field Strength)}	Unfixed
When magnetic field is applied To A direction	H 3.0(Typ)mT(Magnetic Flux Density) {2.4kA/m (Magnetic Field Strength)}	Hi-level
When magnetic field is applied To B direction	H 3.0 mT(Magnetic Flux Density) {2.4kA/m (Magnetic Field Strength)}	Lo-level

Operating Conditions Recommended (Ta = 25±3°C unless otherwise specified)

Item	Symbol	Condition	Min	Std	Max	Unit
Source Voltage	Vcc	-	3	12	30	V
Load Resistance	RL	Vcc=12V	10.0	-	-	k
Ambient Temperature	Ta	-	-20	25	80	°C
Applied magnetic Field	H	-	3.0 (2.4)	-	-	mT ^(*1) (kA/m) ^(*2)

*1) 1 [mT](SI) = 10 [G] (CGS) *2) () = [kA/m](SI)

Electrical Characteristics (Ta = 25 ± 3 unless otherwise specified)

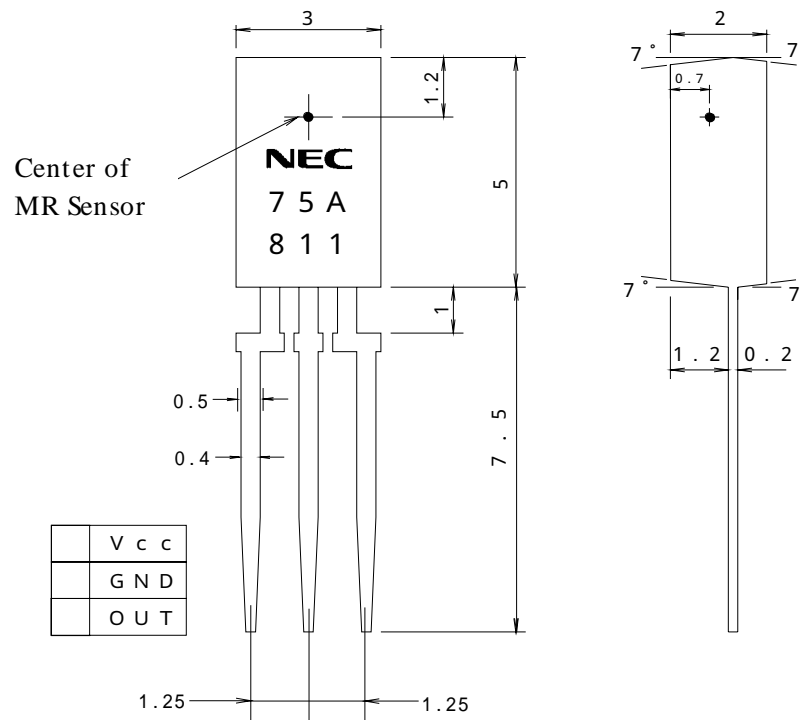
Item	Symbol	Condition	Min	Std	Max	Unit
Circuit Current	Icc	Vcc=12V Output open	-	-	5	mA
Output Voltage 1	VoH	RL=10 k Vcc=12V	10	-	-	V
Output Voltage 2	VoL	RL=10 k Vcc=12V	-	-	1	V
Response Frequency	f(max)	Vcc=12V	-	-	2	kHz

ABSOLUTE MAXIMUM RATINGS

(Ta=25±3°C unless otherwise specified)

Item	Condition	Specifications	Unit
Source Voltage	-	36	V
Operating Temperature	-	-20 ~ +80	°C
Storage Temperature	-	-40 ~ +125	°C

Dimensions (Unit:mm)



NEC Corporation
Sales and Marketing Division
(Shin Tamachi Building) 34-6, Shiba 5-chome, Minato-ku,
Tokyo 108-0014, Japan
Tel: +81-3-3798-5864 Fax: +81-3-3798-5857
<http://www.sw.nec.co.jp/on/dd/en/>

NEC Electronics (Europe) GmbH
Sales and marketing of semiconductors across Europe
Arcadiastrasse 10, D-40472 Dusseldorf, Germany
Tel: +49-211-6503-0 FAX: +49-211-6503-1344

EWV-19-0172-01E, Sep., 2005
Copyright © 2005 NEC Corporation