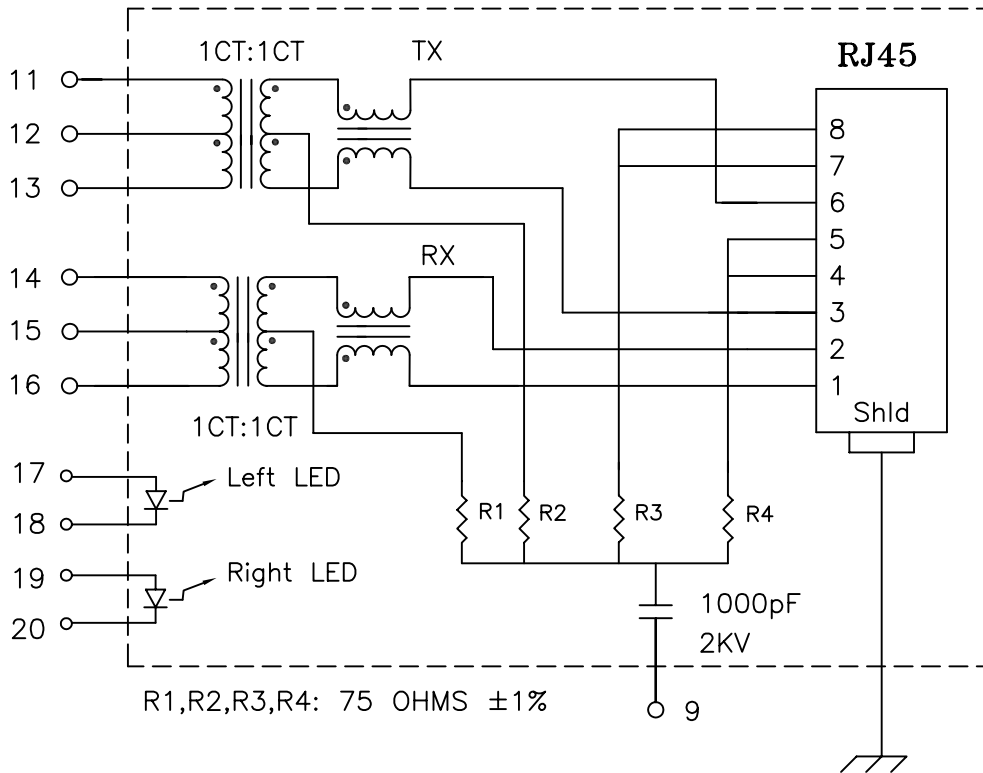


1. Schematic:



2. Electrical Specifications:@25°C

- Isolation Voltage: 1500 Vrms (Input to Output)
- Isolation Voltage: 500 Vrms (P11+12+13 to P14+15+16)
- Q: 16 Min @100KHz 0.1V
- Turns Ratio: TX 1CT:1CT ±3% RX 1CT:1CT ±3%
- Cable Side OCL: 350uH Minimum @100KHz 100mV 8mADC
- Insertion Loss (300KHz-100MHz): -1.0dB Maximum
- Return Loss: @30MHz -20dB Typ
- @80MHz -15dB Typ
- Crosstalk:
 - 300KHz-60MHz -40dB Typical
 - 60MHz-100MHz -38dB Typical
- CMRR: -30dB Min @1-100MHz

Notes:

1. Solderability: Leads shall meet MIL-STD-202G, Method 208H for solderability.
2. Flammability: UL94V-0
3. ASTM oxygen index: > 28%
4. UL Recognized Component: File Number E200238
5. Operating Temperature Range: All listed parameters are to be within tolerance from -40°C to +85°C
6. Storage Temperature Range: -55°C to +125°C
7. Aqueous wash compatible
8. Electrical and mechanical specifications 100% tested
9. RoHS Compliant Component

DOC REV: A/13

Complete the Combo P/N as follows:

Replace 'x' & 'u' in the part number with one of the LED color letters:

Y=Yellow	'x' = Left LED Color
G=Green	'u' = Right LED Color
A=Amber	
R=Red	
C=Green(1)/Amber(2) Bicolor	
D=Amber(1)/Green(2) Bicolor	
M=Green(1)/Yellow(2) Bicolor	
N=Yellow(1)/Green(2) Bicolor	
P=Red(1)/Green(2) Bicolor	
Q=Green(1)/Red(2) Bicolor	

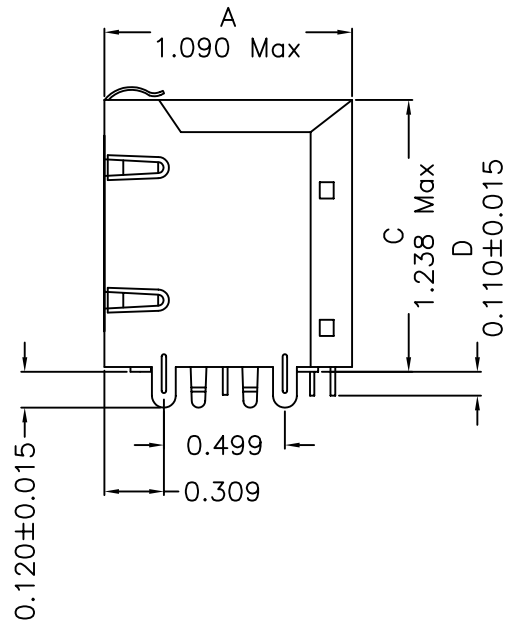
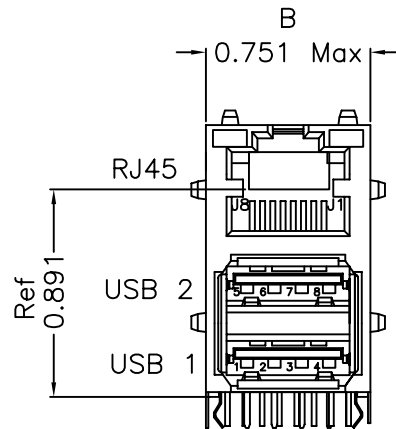
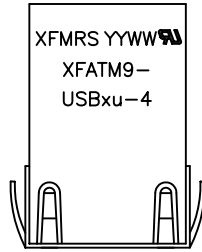
Single Color LED:

Bi-Color LED:

XFMRs Inc. www.XFMRs.com		Title: STACKED USB COMBO	
UNLESS OTHERWISE SPECIFIED TOLERANCES: .xxx ±0.010	P/N: XFATM9-USBxu-4		REV. A
	DWN.	Feng	Mar-02-11
Dimensions in Inch	CHK.	YK Liao	Mar-02-11
SHEET 1 OF 3	APP.	BW	Mar-02-11

PROPRIETARY:
Document is the property of XFMRs Group & is not allowed to be duplicated without authorization.

3. Mechanical Dimensions:

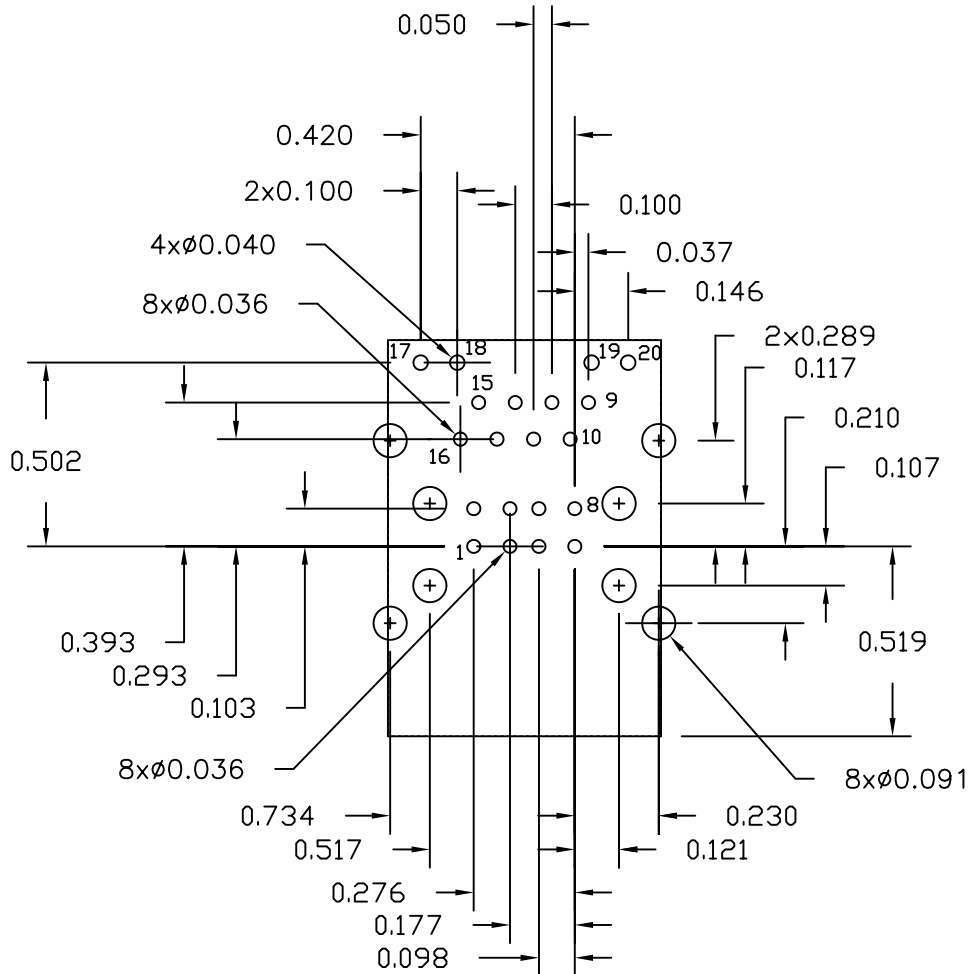


DOC REV: A/13

XFMR5 Inc. www.XFMRS.com	Title: Mechanical Dimensions For Stacked USB Combo		
	UNLESS OTHERWISE SPECIFIED TOLERANCES: .xxx ±0.010 Dimensions in Inch	P/N: XFATM9-USBxu-4	REV. A
SHEET 2 OF 3	DWN.	Feng	Mar-02-11
	CHK.	YK Liao	Mar-02-11
	APP.	BW	Mar-02-11

PROPRIETARY:
 Document is the property of XFMR5 Group & is not allowed to be duplicated without authorization.

3. Mechanical Dimensions (cont.):



SUGGESTED PC BOARD LAYOUT VIEW
FROM COMPONENT SIDE

DOC REV: A/13

XFMRs Inc. www.XFMRS.com	Title: Mechanical Dimensions For Stacked USB Combo				
	UNLESS OTHERWISE SPECIFIED		P/N: XFATM9-USBxu-4	REV. A	
	TOLERANCES:		DWN.	Feng	Mar-02-11
	.xxx ±0.010		CHK.	YK Liao	Mar-02-11
Dimensions in Inch		APP.	BW	Mar-02-11	
SHEET 3 OF 3					

PROPRIETARY:

Document is the property of XFMRs Group & is not allowed to be duplicated without authorization.