

---

**MSM80C154S/83C154S**

---

**CMOS 8-bit Microcontroller**

---

**GENERAL DESCRIPTION**

The MSM80C154S/MSM83C154S, designed for the high speed version of the existing MSM80C154/MSM83C154, is a higher performance 8-bit microcontroller providing low-power consumption.

The MSM80C154S/MSM83C154S covers the functions and operating range of the existing MSM80C154/83C154/80C51F/80C31F.

The MSM80C154S is identical to the MSM83C154S except it does not contain the internal program memory (ROM).

**FEATURES**

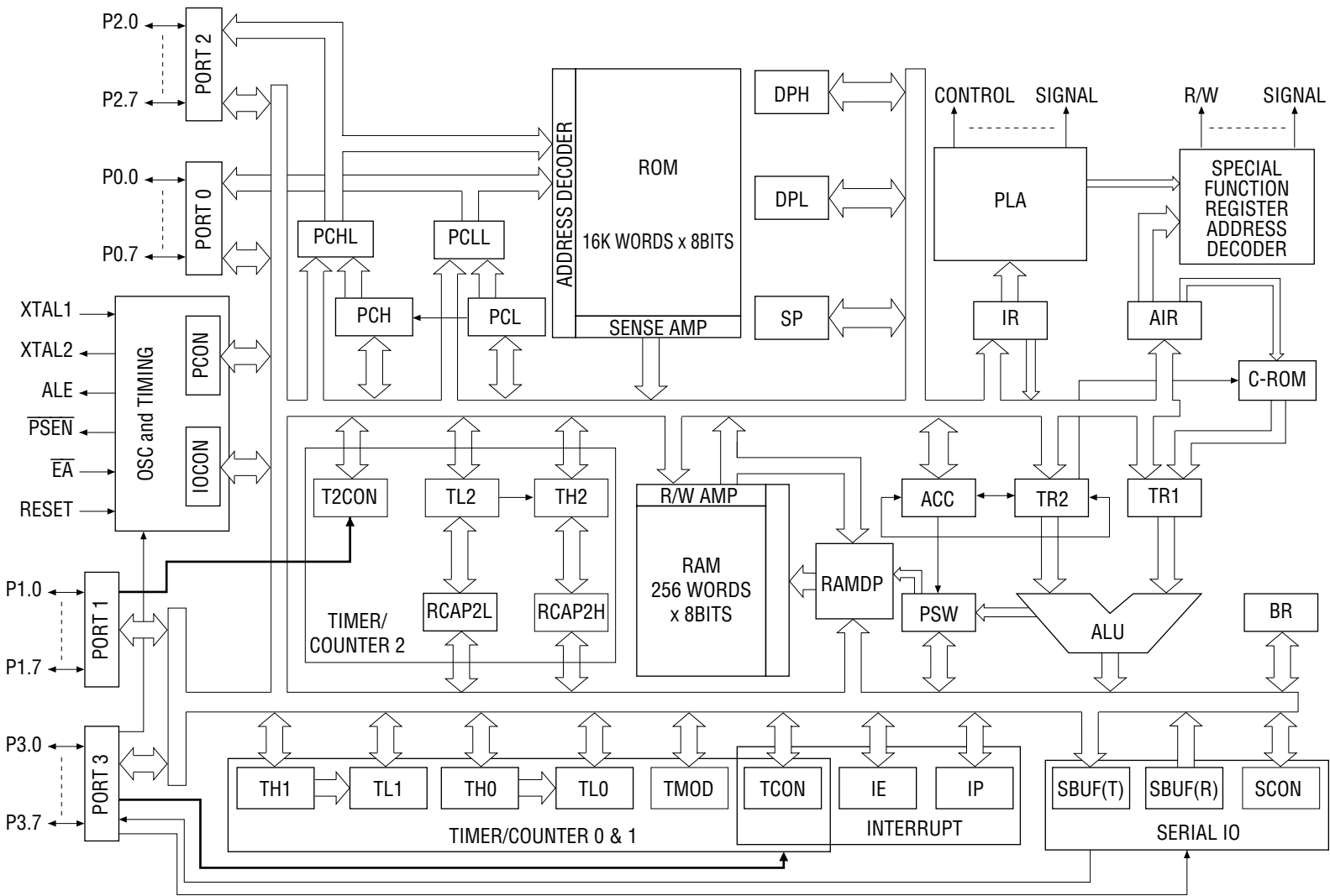
- Operating range
  - Operating frequency : 0 to 3 MHz ( $V_{CC}=2.2$  to 6.0 V)  
0 to 12 MHz ( $V_{CC}=3.0$  to 6.0 V)  
0 to 24 MHz ( $V_{CC}=4.5$  to 6.0 V)
  - Operating voltage : 2.2 to 6.0 V
  - Operating temperature : -40 to +85°C (Operation at +125°C conforms to the other specification.)
- Fully static circuit
- Upward compatible with the MSM80C51F/80C31F
- On-chip program memory : 16K words x 8 bits ROM (MSM83C154S only)
- On-chip data memory : 256 words x 8 bits RAM
- External program memory address space : 64K bytes ROM (Max)
- External data memory address space : 64K bytes RAM
- I/O ports : 4 ports x 8 bits  
(Port 1, 2, 3, impedance programmable) : 32
- 16-bit timer/counters : 3
- Multifunctional serial port : I/O Expansion mode  
: UART mode (featuring error detection)
- 6-source 2-priority level  
Interrupt and multi-level  
Interrupt available by programming IP and IE registers
- Memory-mapped special function registers
- Bit addressable data memory and SFRs
- Minimum instruction cycle : 500 ns @ 24 MHz operation
- Standby functions : Power-down mode (oscillator stop)  
Activated by software or hardware; providing ports with floating or active status  
The software power-down set mode is terminated by interrupt signal enabling execution from the interrupted address.

- Package options

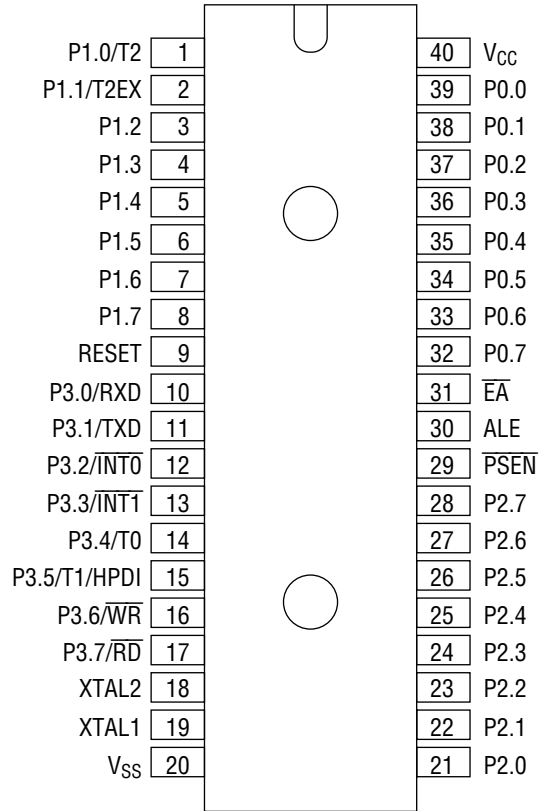
- 40-pin plastic DIP (DIP40-P-600-2.54) : (Product name: MSM80C154SRS/  
MSM83C154S-xxxRS)
- 44-pin plastic QFP (QFP44-P-910-0.80-2K) : (Product name: MSM80C154SGS-2K/  
MSM83C154S-xxxGS-2K)
- 44-pin QFJ (QFJ44-P-S650-1.27) : (Product name: MSM80C154SJS/  
MSM83C154S-xxxJS)
- 44-pin TQFP (TQFP44-P-1010-0.80-K) : (Product name: MSM80C154STS-K/  
MSM83C154S-xxxTS-K)

xxx: indicates the code number

**BLOCK DIAGRAM (MSM83C154S)**

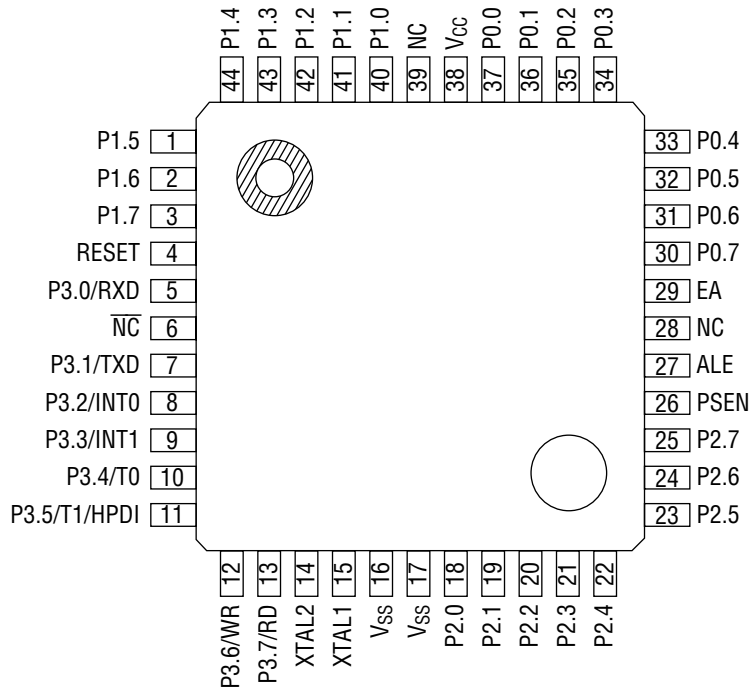


**PIN CONFIGURATION (TOP VIEW)**



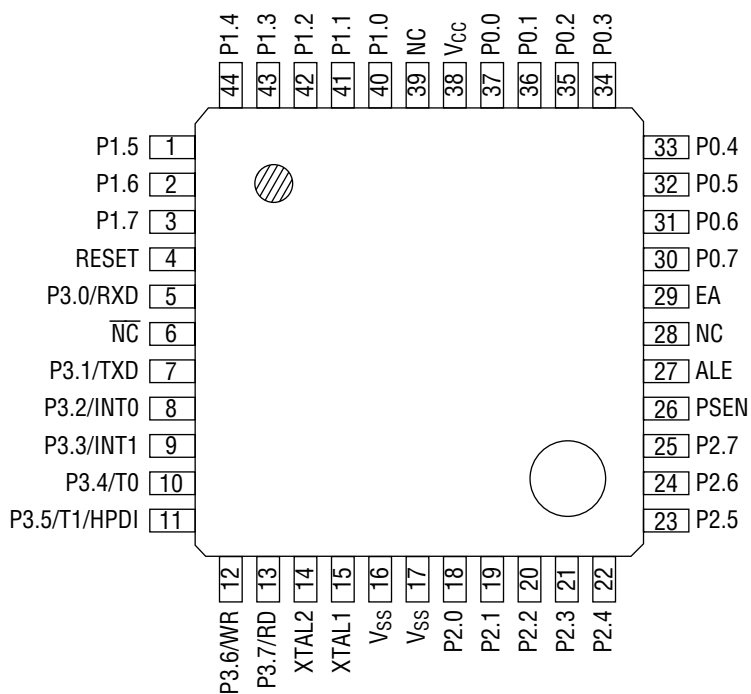
**40-Pin Plastic DIP**

**PIN CONFIGURATION (Continued)**



NC : No-connection pin

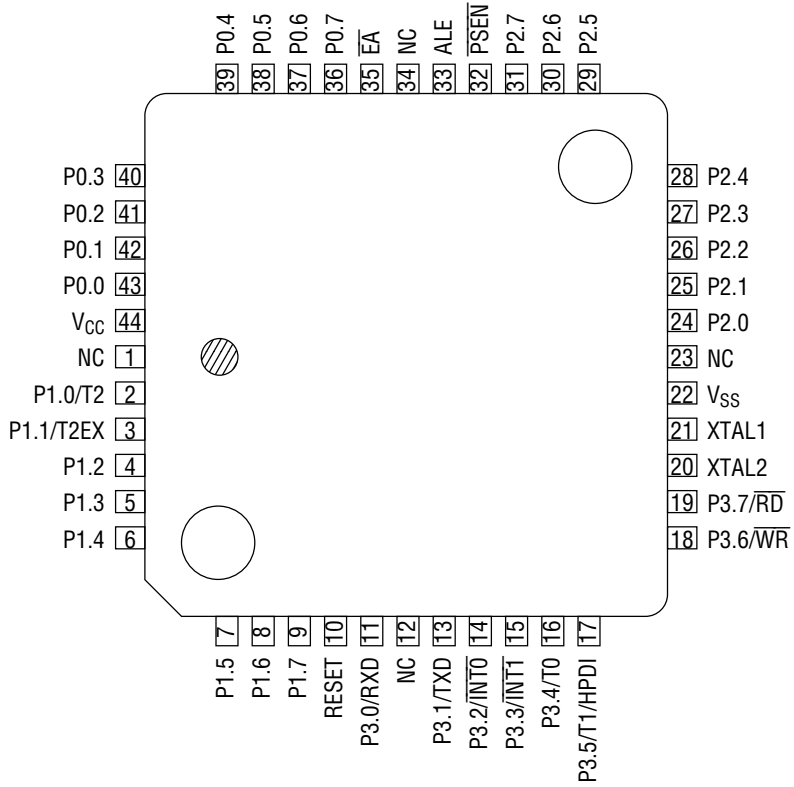
**44-Pin Plastic QFP**



NC : No-connection pin

**44-Pin Plastic TQFP**

**PIN CONFIGURATION (Continued)**



NC : No-connection pin

**44-Pin Plastic QFJ**

## PIN DESCRIPTIONS

| Symbol                   | Description  |
|--------------------------|--|
| P0.0 to P0.7             | Bidirectional I/O ports. They are also the data/address bus (input/output of data and output of lower 8-bit address when external memory is accessed). They are open-drain outputs when used as I/O ports, but 3-state outputs when used as data/address bus.  |
| P1.0 to P1.7             | P1.0 to P1.7 are quasi-bidirectional I/O ports. They are pulled up internally when used as input ports. Two of them have the following secondary functions: <ul style="list-style-type: none"> <li>•P1.0 (T2) : used as external clock input pins for the timer/counter 2.</li> <li>•P1.1 (T2EX) : used as trigger input for the timer/counter 2 to be reloaded or captured; causing the timer/counter 2 interrupt.</li> </ul>   |
| P2.0 to P2.7             | P2.0 to P2.7 are quasi-bidirectional I/O ports. They also output the higher 8-bit address when an external memory is accessed. They are pulled up internally when used as input ports.   |
| P3.0 to P3.7             | P3.0 to P3.7 are quasi-bidirectional I/O ports. They are pulled up internally when used as input ports. They also have the following secondary functions: <ul style="list-style-type: none"> <li>•P3.0 (RXD)<br/>Serial data input/output in the I/O expansion mode and serial data input in the UART mode when the serial port is used.</li> <li>•3.1 (TXD)<br/>Synchronous clock output in the I/O expansion mode and serial data output in the UART mode when the serial port is used.</li> <li>•3.2 (<math>\overline{\text{INT0}}</math>)<br/>Used as input pin for the external interrupt 0, and as count-up control pin for the timer/counter 0.</li> <li>•3.3 (<math>\overline{\text{INT1}}</math>)<br/>Used as input pin for the external interrupt 1, and as count-up control pin for the timer/counter 1.</li> <li>•3.4 (T0)<br/>Used as external clock input pin for the timer/counter 0.</li> <li>•3.5 (T1)<br/>Used as external clock input pin for the timer/counter 1 and power-down-mode control input pin.</li> <li>•3.6 (<math>\overline{\text{WR}}</math>)<br/>Output of the write-strobe signal when data is written into external data memory.</li> <li>•3.7 (<math>\overline{\text{RD}}</math>)<br/>Output of the read-strobe signal when data is read from external data memory.</li> </ul> |
| ALE                      | Address latch enable output for latching the lower 8-bit address during external memory access. Two ALE pulses are activated per machine cycle except during external data memory access at which time one ALE pulse is skipped.   |
| $\overline{\text{PSEN}}$ | Program store enable output which enables the external memory output to the bus during external program memory access. Two $\overline{\text{PSEN}}$ pulses are activated per machine cycle except during external data memory access at which two $\overline{\text{PSEN}}$ pulses are skipped.   |
| $\overline{\text{EA}}$   | When $\overline{\text{EA}}$ is held at "H" level, the MSM 83C154S executes instructions from internal program memory at address 0000H to 3FFFH, and executes instructions from external program memory above address 3FFFH.<br>When $\overline{\text{EA}}$ is held at "L" level, the MSM80C154S/MSM83C154S executes instructions from external program memory for all addresses.   |



**PIN Descriptions (Continued)**

| <b>Symbol</b> | <b>Descriptipn</b>   |
|---------------|--|
| RESET         | If this pin remains "H" for at least one machine cycle, the MSM80C154S/MSM83C154S is reset. Since this pin is pulled down internally, a power-on reset is achieved by simply connecting a capacitor between $V_{CC}$ and this pin. |
| XTAL1         | Oscillator inverter input pin. External clock is input through XTAL1 pin.  |
| XTAL2         | Oscillator inverter output pin.  |
| $V_{CC}$      | Power supply pin during both normal operation and standby operations.  |
| $V_{SS}$      | GND pin.   |

## REGISTERS

## Diagram of Special Function Registers

| REGISTER NAME | BIT ADDRESS |    |    |    |    |    |    |    | DIRECT ADDRESS |
|---------------|-------------|----|----|----|----|----|----|----|----------------|
|               | b7          | b6 | b5 | b4 | b3 | b2 | b1 | b0 |                |
| IOCON         | FF          | FE | FD | FC | FB | FA | F9 | F8 | 0F8H (248)     |
| B             | F7          | F6 | F5 | F4 | F3 | F2 | F1 | F0 | 0F0H (240)     |
| ACC           | E7          | E6 | E5 | E4 | E3 | E2 | E1 | E0 | 0E0H (224)     |
| PSW           | D7          | D6 | D5 | D4 | D3 | D2 | D1 | D0 | 0D0H (208)     |
| TH2           |             |    |    |    |    |    |    |    | 0CDH (205)     |
| TL2           |             |    |    |    |    |    |    |    | 0CCH (204)     |
| RCAP2H        |             |    |    |    |    |    |    |    | 0CBH (203)     |
| RCAP2L        |             |    |    |    |    |    |    |    | 0CAH (202)     |
| T2CON         | CF          | CE | CD | CC | CB | CA | C9 | C8 | 0C8H (200)     |
| IP            | BF          | BE | BD | BC | BB | BA | B9 | B8 | 0B8H (184)     |
| P3            | B7          | B6 | B5 | B4 | B3 | B2 | B1 | B0 | 0B0H (176)     |
| IE            | AF          | AE | AD | AC | AB | AA | A9 | A8 | 0A8H (168)     |
| P2            | A7          | A6 | A5 | A4 | A3 | A2 | A1 | A0 | 0A0H (160)     |
| SBUF          |             |    |    |    |    |    |    |    | 99H (153)      |
| SCON          | 9F          | 9E | 9D | 9C | 9B | 9A | 99 | 98 | 98H (152)      |
| P1            | 97          | 96 | 95 | 94 | 93 | 92 | 91 | 90 | 90H (144)      |
| TH1           |             |    |    |    |    |    |    |    | 8DH (141)      |
| TH0           |             |    |    |    |    |    |    |    | 8CH (140)      |
| TL1           |             |    |    |    |    |    |    |    | 8BH (139)      |
| TL0           |             |    |    |    |    |    |    |    | 8AH (138)      |
| TMOD          |             |    |    |    |    |    |    |    | 89H (137)      |
| TCON          | 8F          | 8E | 8D | 8C | 8B | 8A | 89 | 88 | 88H (136)      |
| PCON          |             |    |    |    |    |    |    |    | 87H (135)      |
| DPH           |             |    |    |    |    |    |    |    | 83H (131)      |
| DPL           |             |    |    |    |    |    |    |    | 82H (130)      |
| SP            |             |    |    |    |    |    |    |    | 81H (129)      |
| P0            | 87          | 86 | 85 | 84 | 83 | 82 | 81 | 80 | 80H (128)      |

Special Function Registers

Timer mode register (TMOD)

| NAME         | ADDRESS | MSB<br>7  | 6   | 5   | 4  | 3    | 2   | 1  | LSB<br>0 |
|--------------|---------|---|-----|---|----|------|-----|----|----------|
| TMOD         | 89H     | GATE  | C/T | M1  | M0 | GATE | C/T | M1 | M0       |
| BIT LOCATION | FLAG    | FUNCTION  |     |   |    |      |     |    |          |
| TMOD.0       | M0      | M1  | M0  | Timer/counter 0 mode setting  |    |      |     |    |          |
|              |         | 0   | 0   | 8-bit timer/counter with 5-bit prescaler.   |    |      |     |    |          |
|              |         | 0   | 1   | 16-bit timer/counter.   |    |      |     |    |          |
|              |         | 1   | 0   | 8-bit timer/counter with 8-bit auto reloading.  |    |      |     |    |          |
| TMOD.1       | M1      | 1   | 1   | Timer/counter 0 separated into TLO (8-bit) timer/counter and TH0 (8-bit) timer/counter. TF0 is set by TLO carry, and TF1 is set by TH0 carry. |    |      |     |    |          |
| TMOD.2       | C/T     | Timer/counter 0 count clock designation control bit.<br>XTAL1•2 divided by 12 clocks is the input applied to timer/counter 0 when C/T = "0".<br>The external clock applied to the T0 pin is the input applied to timer/counter 0 when C/T = "1".  |     |   |    |      |     |    |          |
| TMOD.3       | GATE    | When this bit is "0", the TR0 bit of TCON (timer control register) is used to control the start and stop of timer/counter 0 counting.<br>If this bit is "1", timer/counter 0 starts counting when both the TR0 bit of TCON and INT0 pin input signal are "1", and stops counting when either is changed to "0". |     |   |    |      |     |    |          |
| TMOD.4       | M0      | M1  | M0  | Timer/counter 1 mode setting  |    |      |     |    |          |
|              |         | 0   | 0   | 8-bit timer/counter with 5-bit prescaler.   |    |      |     |    |          |
|              |         | 0   | 1   | 16-bit timer/counter  |    |      |     |    |          |
|              |         | 1   | 0   | 8-bit timer/counter with 8-bit auto reloading.  |    |      |     |    |          |
| TMOD.5       | M1      | 1   | 1   | Timer/counter 1 operation stopped.  |    |      |     |    |          |
| TMOD.6       | C/T     | Timer/counter 1 count clock designation control bit.<br>XTAL1•2 divided by 12 clocks is the input applied to timer/counter 1 when C/T = "0".<br>The external clock applied to the T1 pin is the input applied to timer/counter 1 when C/T = "1".  |     |   |    |      |     |    |          |
| TMOD.7       | GATE    | When this bit is "0", the TR1 bit of TCON is used to control the start and stop of timer/counter 1 counting.<br>If this bit is "1", timer/counter 1 starts counting when both the TR1 bit of TCON and INT1 pin input signal are "1", and stops counting when either is changed to "0".                          |     |   |    |      |     |    |          |

## Power control register (PCON)

| NAME         | ADDRESS | MSB<br>7  | 6   | 5   | 4 | 3   | 2   | 1  | LSB<br>0 |
|--------------|---------|---|-----|-----|---|-----|-----|----|----------|
| PCON         | 87H     | SMOD  | HPD | RPD | — | GF1 | GF0 | PD | IDL      |
| BIT LOCATION | FLAG    | FUNCTION  |     |     |   |     |     |    |          |
| PCON.0       | IDL     | IDLE mode is set when this bit is set to "1". CPU operations are stopped when IDLE mode is set, but XTAL1•2, timer/counters 0, 1 and 2, the interrupt circuits, and the serial port remain active. IDLE mode is cancelled when the CPU is reset or when an interrupt is generated.  |     |     |   |     |     |    |          |
| PCON.1       | PD      | PD mode is set when this bit is set to "1". CPU operations and XTAL1•2 are stopped when PD mode is set. PD mode is cancelled when the CPU is reset or when an interrupt is generated.   |     |     |   |     |     |    |          |
| PCON.2       | GF0     | General purpose bit.  |     |     |   |     |     |    |          |
| PCON.3       | GF1     | General purpose bit.  |     |     |   |     |     |    |          |
| PCON.4       | —       | Reserved bit. The output data is "1", if the bit is read.   |     |     |   |     |     |    |          |
| PCON.5       | RPD     | This bit is used to specify cancellation of CPU power down mode (IDLE or PD) by an interrupt signal.<br>Power-down mode cannot be cancelled by an interrupt signal if the interrupt is not enabled by IE (interrupt enable register) when this bit is "0".<br>If the interrupt flag is set to "1" by an interrupt request signal when this bit is "1" (even if interrupt is disabled), the program is executed from the next address of the power-down-mode setting instruction.<br>The flag is reset to "0" by software. |     |     |   |     |     |    |          |
| PCON.6       | HPD     | The hard power-down setting mode is enabled when this bit is set to "1".<br>If the level of the power failure detect signal applied to the HPDI pin (pin 3.5) is changed from "1" to "0" when this bit is "1", XTAL1•2 oscillation is stopped and the system is put into hard power down mode. HPD mode is cancelled when the CPU is reset.   |     |     |   |     |     |    |          |
| PCON.7       | SMOD    | When the timer/counter 1 carry signal is used as a clock in mode 1, 2 or 3 of the serial port, this bit has the following functions.<br>The serial port operation clock is reduced by 1/2 when the bit is "0" for delayed processing. When the bit is "1", the serial port operation clock is normal for faster processing.   |     |     |   |     |     |    |          |

## Timer control register (TCON)

| NAME         | ADDRESS | MSB<br>7   | 6   | 5   | 4   | 3   | 2   | 1   | LSB<br>0 |
|--------------|---------|--|-----|-----|-----|-----|-----|-----|----------|
| TCON         | 88H     | TF1  | TR1 | TF0 | TR0 | IE1 | IT1 | IE0 | IT0      |
| BIT LOCATION | FLAG    | FUNCTION   |     |     |     |     |     |     |          |
| TCON.0       | IT0     | External interrupt 0 signal is used in level-detect mode when this bit is "0" and in trigger detect mode when "1".   |     |     |     |     |     |     |          |
| TCON.1       | IE0     | Interrupt request flag for external interrupt 0.<br>The bit is reset automatically when an interrupt is serviced.<br>The bit can be set and reset by software when IT0 = "1".                  |     |     |     |     |     |     |          |
| TCON.2       | IT1     | External interrupt 1 signal is used in level detect mode when this bit is "0", and in trigger detect mode when "1".  |     |     |     |     |     |     |          |
| TCON.3       | IE1     | Interrupt request flag for external interrupt 1.<br>The bit is reset automatically when an interrupt is serviced.<br>The bit can be set and reset by software when IT1 = "1".                  |     |     |     |     |     |     |          |
| TCON.4       | TR0     | Counting start and stop control bit for timer/counter 0.<br>Timer/counter 0 starts counting when this bit is "1", and stops counting when "0".   |     |     |     |     |     |     |          |
| TCON.5       | TF0     | Interrupt request flag for timer interrupt 0.<br>The bit is reset automatically when an interrupt is serviced.<br>The bit is set to "1" when a carry signal is generated from timer/counter 0. |     |     |     |     |     |     |          |
| TCON.6       | TR1     | Counting start and stop control bit for timer/counter 1.<br>The timer/counter 1 starts counting when this bit is "1", and stops counting when "0".   |     |     |     |     |     |     |          |
| TCON.7       | TF1     | Interrupt request flag for timer interrupt 1.<br>The bit is reset automatically when interrupt is serviced.<br>The bit is set to "1" when carry signal is generated from timer/counter 1.      |     |     |     |     |     |     |          |

**Serial port control register (SCON)**

| NAME         | ADDRESS | MSB<br>7  | 6   | 5    | 4   | 3   | 2   | 1  | LSB<br>0 |
|--------------|---------|---|-----|------|---|-----|-----|----|----------|
| SCON         | 98H     | SM0   | SM1 | SM2  | REN   | TB8 | RB8 | TI | RI       |
| BIT LOCATION | FLAG    | FUNCTION  |     |      |   |     |     |    |          |
| SCON.0       | RI      | "End of serial port reception" interrupt request flag.<br>This flag must be reset by software during interrupt service routine.<br>This flag is set after the eighth bit of data has been received when in mode 0, or by the STOP bit when in any other mode.<br>In mode 2 or 3, however, RI is not set if the RB8 data is "0" with SM2 = "1".<br>RI is set in mode 1 if STOP bit is received when SM2 = "1". |     |      |   |     |     |    |          |
| SCON.1       | TI      | "End of serial port transmission" interrupt request flag. This flag must be reset by software during interrupt service routine.<br>This flag is set after the eighth bit of data has been sent when in mode 0, or after the last bit of data has been sent when in any other mode.  |     |      |   |     |     |    |          |
| SCON.2       | RB8     | The ninth bit of data received in mode 2 or 3 is passed to RB8.<br>The STOP bit is applied to RB8 if SM2 = "0" when in mode 1.<br>RB8 can not be used in mode 0.  |     |      |   |     |     |    |          |
| SCON.3       | TB8     | The TB8 data is sent as the ninth data bit when in mode 2 or 3.<br>Any desired data can be set in TB8 by software.  |     |      |   |     |     |    |          |
| SCON.4       | REN     | Reception enable control bit.<br>No reception when REN = "0".<br>Reception enabled when REN = "1".  |     |      |   |     |     |    |          |
| SCON.5       | SM2     | If the ninth bit of received data is "0" with SM2 = "1" in mode 2 or 3, the "end of reception" signal is not set in the RI flag.<br>The "end of reception" signal set in the RI flag if the STOP bit is not "1" when SM2 = "1" in mode 1.   |     |      |   |     |     |    |          |
| SCON.6       | SM1     | SM0   | SM1 | MODE |   |     |     |    |          |
|              |         | 0   | 0   | 0    | 8-bit shift register I/O                    |     |     |    |          |
| SCON.7       | SM0     | 0   | 1   | 1    | 8-bit UART variable baud rate               |     |     |    |          |
|              |         | 1   | 0   | 2    | 9-bit UART 1/32 XTAL1, 1/64 XTAL1 baud rate |     |     |    |          |
|              |         | 1   | 1   | 3    | 9-bit UART variable baud rate               |     |     |    |          |

## Interrupt enable register (IE)

| NAME         | ADDRESS | MSB<br>7   | 6 | 5   | 4  | 3   | 2   | 1   | LSB<br>0 |
|--------------|---------|--|---|-----|----|-----|-----|-----|----------|
| IE           | 0A8H    | EA   | — | ET2 | ES | ET1 | EX1 | ET0 | EX0      |
| BIT LOCATION | FLAG    | FUNCTION   |   |     |    |     |     |     |          |
| IE.0         | EX0     | Interrupt control bit for external interrupt 0.<br>Interrupt disabled when bit is "0".<br>Interrupt enabled when bit is "1".                       |   |     |    |     |     |     |          |
| IE.1         | ET0     | Interrupt control bit for timer interrupt 0.<br>Interrupt disabled when bit is "0".<br>Interrupt enabled when bit is "1".                          |   |     |    |     |     |     |          |
| IE.2         | EX1     | Interrupt control bit for external interrupt 1.<br>Interrupt disabled when bit is "0".<br>Interrupt enabled when bit is "1".                       |   |     |    |     |     |     |          |
| IE.3         | ET1     | Interrupt control bit for timer interrupt 1.<br>Interrupt disabled when bit is "0".<br>Interrupt enabled when bit is "1".                          |   |     |    |     |     |     |          |
| IE.4         | ES      | Interrupt control bit for serial port.<br>Interrupt disabled when bit is "0".<br>Interrupt enabled when bit is "1".                                |   |     |    |     |     |     |          |
| IE.5         | ET2     | Interrupt control bit for timer interrupt 2.<br>Interrupt disabled when bit is "0".<br>Interrupt enabled when bit is "1".                          |   |     |    |     |     |     |          |
| IE.6         | —       | Reserved bit. The output data is "1" if the bit is read.   |   |     |    |     |     |     |          |
| IE.7         | EA      | Overall interrupt control bit.<br>All interrupts are disabled when bit is "0".<br>All interrupts are controlled by IE.0 thru IE.5 when bit is "1". |   |     |    |     |     |     |          |

## Interrupt priority register (IP)

| NAME         | ADDRESS | MSB<br>7   | 6 | 5   | 4  | 3   | 2   | 1   | LSB<br>0 |
|--------------|---------|--|---|-----|----|-----|-----|-----|----------|
| IP           | 0B8H    | PCT  | — | PT2 | PS | PT1 | PX1 | PT0 | PX0      |
| BIT LOCATION | FLAG    | FUNCTION   |   |     |    |     |     |     |          |
| IP.0         | PX0     | Interrupt priority bit for external interrupt 0.<br>Priority is assigned when bit is "1".  |   |     |    |     |     |     |          |
| IP.1         | PT0     | Interrupt priority bit for timer interrupt 0.<br>Priority is assigned when bit is "1".   |   |     |    |     |     |     |          |
| IP.2         | PX1     | Interrupt priority bit for external interrupt 1.<br>Priority is assigned when bit is "1".  |   |     |    |     |     |     |          |
| IP.3         | PT1     | Interrupt priority bit for timer interrupt 1.<br>Priority is assigned when bit is "1".   |   |     |    |     |     |     |          |
| IP.4         | PS      | Interrupt priority bit for serial port.<br>Priority is assigned when bit is "1".   |   |     |    |     |     |     |          |
| IP.5         | PT2     | Interrupt priority bit for timer interrupt 2.<br>Priority is assigned when bit is "1".   |   |     |    |     |     |     |          |
| IP.6         | —       | Reserved bit. The output data is "1" if the bit is read.   |   |     |    |     |     |     |          |
| IP.7         | PCT     | Priority interrupt circuit control bit.<br>The priority register contents are valid and priority assigned interrupts can be processed when this bit is "0". When the bit is "1", the priority interrupt circuit is stopped, and interrupts can only be controlled by the interrupt enable register (IE). |   |     |    |     |     |     |          |



**Program status word register (PSW)**

| NAME         | ADDRESS | MSB   |     |      |             |     |    |    |   | LSB |
|--------------|---------|---|-----|------|-------------|-----|----|----|---|-----|
|              |         | 7   | 6   | 5    | 4           | 3   | 2  | 1  | 0 |     |
| PSW          | 0D0H    | CY  | AC  | F0   | RS1         | RS0 | OV | F1 | P |     |
| BIT LOCATION | FLAG    | FUNCTION  |     |      |             |     |    |    |   |     |
| PSW.0        | P       | Accumulator (ACC) parity indicator.<br>This bit is "1" when the "1" bit number in the accumulator is an odd number, and "0" when an even number.  |     |      |             |     |    |    |   |     |
| PSW.1        | F1      | User flag which may be set to "0" or "1" as desired by the user.  |     |      |             |     |    |    |   |     |
| PSW.2        | OV      | Overflow flag which is set if the carry C6 from bit 6 of the ALU or CY is "1" as a result of an arithmetic operation. The flag is also set to "1" if the resultant product of executing multiplication instruction (MUL AB) is greater than 0FFH, but is reset to "0" if the product is less than or equal to 0FFH. |     |      |             |     |    |    |   |     |
| PSW.3        | RS0     | RAM register bank switch  |     |      |             |     |    |    |   |     |
|              |         | RS1   | RS0 | BANK | RAM ADDRESS |     |    |    |   |     |
| PSW.4        | RS1     | 0   | 0   | 0    | 00H - 07H   |     |    |    |   |     |
|              |         | 0   | 1   | 1    | 08H - 0FH   |     |    |    |   |     |
|              |         | 1   | 0   | 2    | 10H - 17H   |     |    |    |   |     |
|              |         | 1   | 1   | 3    | 18H - 1FH   |     |    |    |   |     |
| PSW.5        | F0      | User flag which may be set to "0" or "1" as desired by the user.  |     |      |             |     |    |    |   |     |
| PSW.6        | AC      | Auxiliary carry flag.<br>This flag is set to "1" if a carry C <sub>3</sub> is generated from bit 3 of the ALU as a result of executing an arithmetic operation instruction.<br>In all other cases, the flag is reset to "0".  |     |      |             |     |    |    |   |     |
| PSW.7        | CY      | Main carry flag.<br>This flag is set to "1" if a carry C <sub>7</sub> is generated from bit 7 of the ALU as result of executing an arithmetic operation instruction.<br>If a carry C <sub>7</sub> is not generated, the flag is reset to "0".   |     |      |             |     |    |    |   |     |

## I/O control register (IOCON)

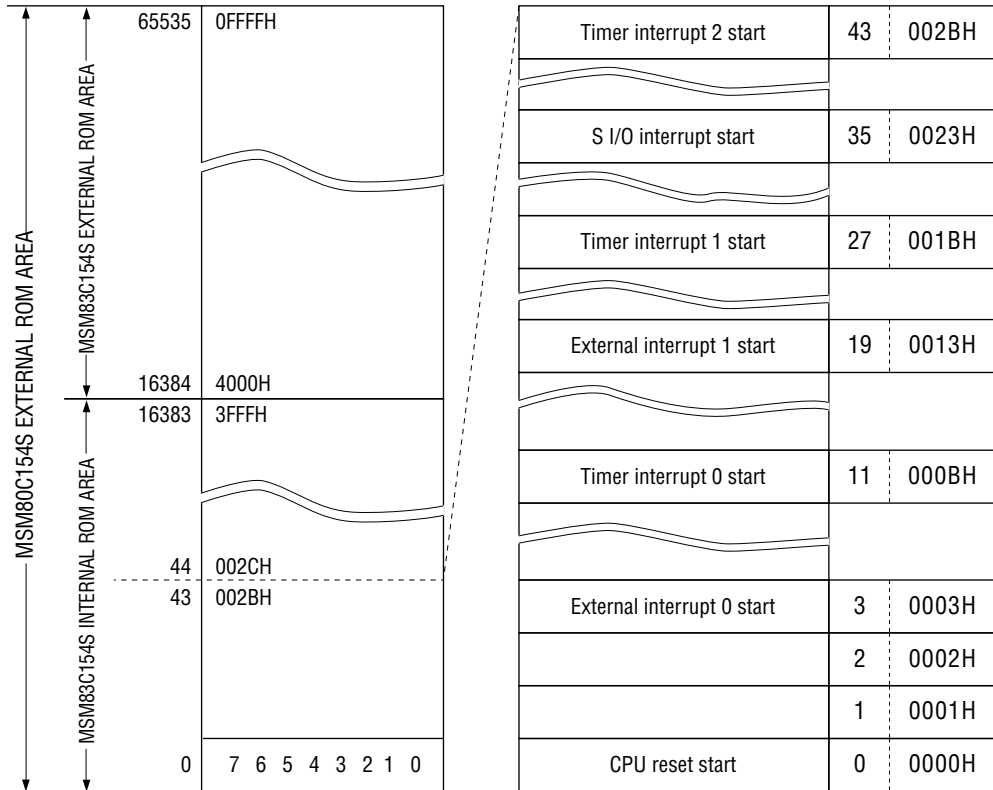
| NAME         | ADDRESS | MSB<br>7  | 6   | 5    | 4   | 3    | 2    | 1    | LSB<br>0 |
|--------------|---------|---|-----|------|-----|------|------|------|----------|
| IOCON        | 0F8H    | —   | T32 | SERR | IZC | P3HZ | P2HZ | P1HZ | ALF      |
| BIT LOCATION | FLAG    | FUNCTION  |     |      |     |      |      |      |          |
| IOCON.0      | ALF     | If CPU power down mode (PD, HPD) is activated with this bit set to "1", the outputs from ports 0, 1, 2, and 3 are switched to floating status. When this bit is "0", ports 0, 1, 2, and 3 are in output mode. |     |      |     |      |      |      |          |
| IOCON.1      | P1HZ    | Port 1 becomes a high impedance input port when this bit is "1".  |     |      |     |      |      |      |          |
| IOCON.2      | P2HZ    | Port 2 becomes a high impedance input port when this bit is "1".  |     |      |     |      |      |      |          |
| IOCON.3      | P3HZ    | Port 3 becomes a high impedance input port when this bit is "1".  |     |      |     |      |      |      |          |
| IOCON.4      | IZC     | The 10 k $\Omega$ pull-up resistor for ports 1, 2, and 3 is switched off when this bit is "1", leaving only the 100 k $\Omega$ pull-up resistor.  |     |      |     |      |      |      |          |
| IOCON.5      | SERR    | Serial port reception error flag.<br>This flag is set to "1" if an overrun or framing error is generated when data is received at a serial port.<br>The flag is reset by software.                            |     |      |     |      |      |      |          |
| IOCON.6      | T32     | Timer/counters 0 and 1 are connected serially to from a 32-bit timer/counter when this bit is set to "1".<br>TF1 of TCON is set if a carry is generated in the 32-bit timer/counter.                          |     |      |     |      |      |      |          |
| IOCON.7      | —       | Leave this bit at "0".  |     |      |     |      |      |      |          |

## Timer 2 control register (T2CON)

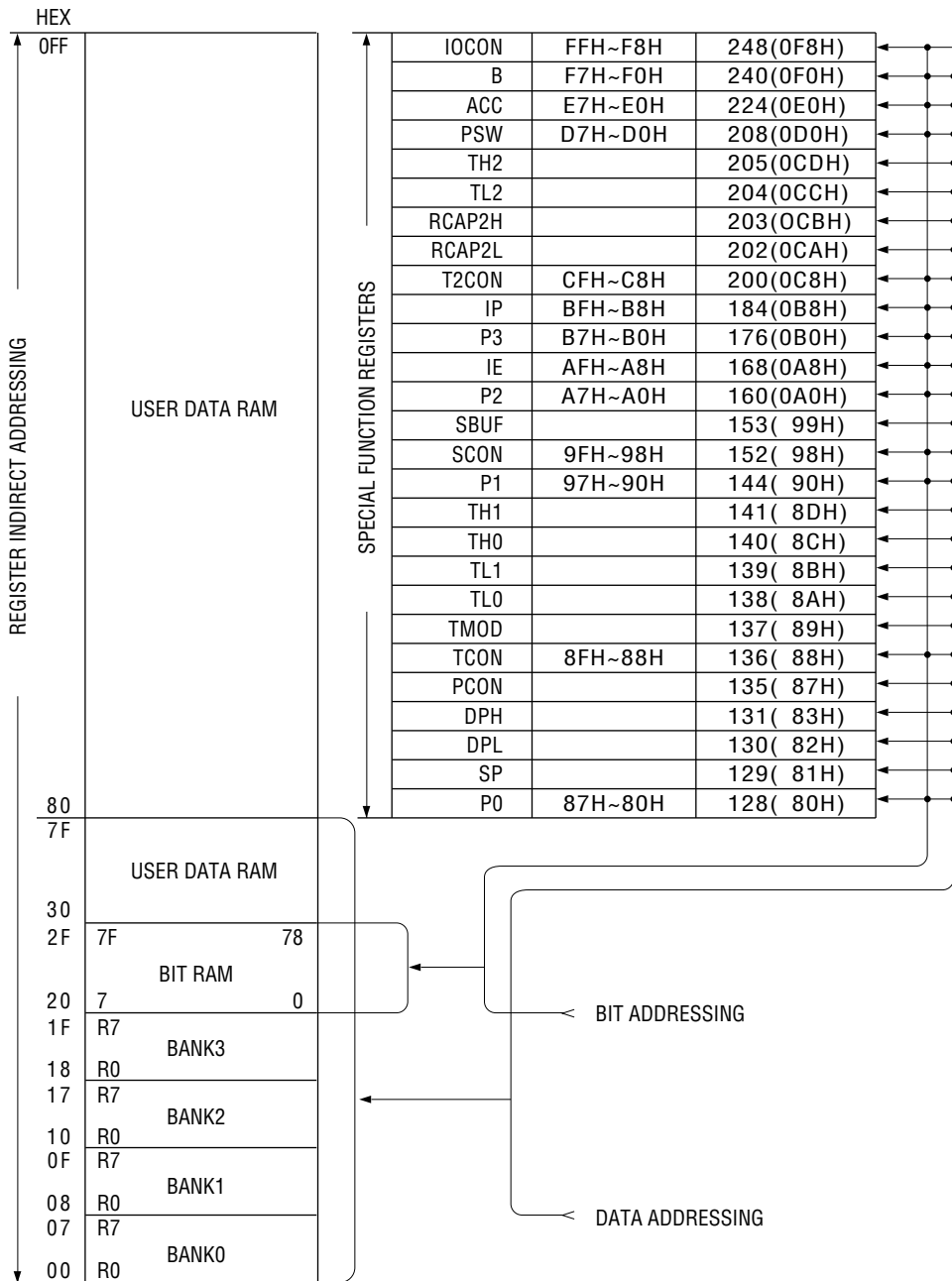
| NAME         | ADDRESS | MSB<br>7  | 6    | 5    | 4    | 3     | 2   | 1    | LSB<br>0 |
|--------------|---------|---|------|------|------|-------|-----|------|----------|
| T2CON        | 0C8H    | TF2   | EXF2 | RCLK | TCLK | EXEN2 | TR2 | C/T2 | CP/RL2   |
| BIT LOCATION | FLAG    | FUNCTION  |      |      |      |       |     |      |          |
| T2CON.0      | CP/RL2  | Capture mode is set when TCLK + RCLK = "0" and CP/RL2 = "1".<br>16-bit auto reload mode is set when TCLK + RCLK = "0" and CP/RL2 = "0".<br>CP/RL2 is ignored when TCLK + RCLK = "1".  |      |      |      |       |     |      |          |
| T2CON.1      | C/T2    | Timer/counter 2 count clock designation control bit.<br>The internal clocks (XTAL1•2 ÷ 12, XTAL1•2 ÷ 2) are used when this bit is "0",<br>and the external clock applied to the T2 pin is passed to timer/counter 2 when<br>the bit is "1".   |      |      |      |       |     |      |          |
| T2CON.2      | TR2     | Timer/counter 2 counting start and stop control bit.<br>Timer/counter 2 commences counting when this bit is "1" and stops counting<br>when "0".   |      |      |      |       |     |      |          |
| T2CON.3      | EXEN2   | T2EX timer/counter 2 external control signal control bit.<br>Input of the T2EX signal is disabled when this bit is "0", and enabled when "1".   |      |      |      |       |     |      |          |
| T2CON.4      | TCLK    | Serial port transmit circuit drive clock control bit.<br>Timer/counter 2 is switched to baud rate generator mode when this bit is "1",<br>and the timer/counter 2 carry signal becomes the serial port transmit clock.<br>Note, however, that the serial ports can only use the timer/counter 2 carry signal<br>in serial port modes 1 and 3. |      |      |      |       |     |      |          |
| T2CON.5      | RCLK    | Serial port receive circuit drive clock control bit.<br>Timer/counter 2 is switched to baud rate generator mode when this bit is "1",<br>and the timer/counter 2 carry signal becomes the serial port transmit clock.<br>Note, however, that the serial ports can only use the timer/counter 2 carry signal<br>in serial port modes 1 and 3.  |      |      |      |       |     |      |          |
| T2CON.6      | EXF2    | Timer/counter 2 external flag.<br>This bit is set to "1" when the T2EX timer/counter 2 external control signal level<br>is changed from "1" to "0" while EXEN2 = "1".<br>This flag serves as the timer interrupt 2 request signal. If an interrupt is<br>generated, EXF2 must be reset to "0" by software.                                    |      |      |      |       |     |      |          |
| T2CON.7      | TF2     | Timer/counter 2 carry flag.<br>This bit is set to "1" by a carry signal when timer/counter 2 is in 16-bit auto<br>reload mode or in capture mode.<br>This flag serves as the timer interrupt 2 request signal. If an interrupt is<br>generated, TF2 must be reset to "0" by software.   |      |      |      |       |     |      |          |

## MEMORY MAPS

### Program Area



Internal Data Memory and Special Function Register Layout Diagram



**Diagram of Internal Data Memory (RAM)**

|      |               |    |    |    |    |    |    |    |     |   |
|------|---------------|----|----|----|----|----|----|----|-----|---|
| 0FFH | USER DATA RAM |    |    |    |    |    |    |    | 255 | BIT ADDRESSING<br>DATA ADDRESSING<br>REGISTER 0, 1, INDIRECT ADDRESSING |
| 80H  | USER DATA RAM |    |    |    |    |    |    |    | 128 |   |
| 7FH  | USER DATA RAM |    |    |    |    |    |    |    | 127 |   |
| 30H  | USER DATA RAM |    |    |    |    |    |    |    | 48  |   |
| 2FH  | 7F            | 7E | 7D | 7C | 7B | 7A | 79 | 78 | 47  |   |
| 2EH  | 77            | 76 | 75 | 74 | 73 | 72 | 71 | 70 | 46  |   |
| 2DH  | 6F            | 6E | 6D | 6C | 6B | 6A | 69 | 68 | 45  |   |
| 2CH  | 67            | 66 | 65 | 64 | 63 | 62 | 61 | 60 | 44  |   |
| 2BH  | 5F            | 5E | 5D | 5C | 5B | 5A | 59 | 58 | 43  |   |
| 2AH  | 57            | 56 | 55 | 54 | 53 | 52 | 51 | 50 | 42  |   |
| 29H  | 4F            | 4E | 4D | 4C | 4B | 4A | 49 | 48 | 41  |   |
| 28H  | 47            | 46 | 45 | 44 | 43 | 42 | 41 | 40 | 40  |   |
| 27H  | 3F            | 3E | 3D | 3C | 3B | 3A | 39 | 38 | 39  |   |
| 26H  | 37            | 36 | 35 | 34 | 33 | 32 | 31 | 30 | 38  |   |
| 25H  | 2F            | 2E | 2D | 2C | 2B | 2A | 29 | 28 | 37  |   |
| 24H  | 27            | 26 | 25 | 24 | 23 | 22 | 21 | 20 | 36  |   |
| 23H  | 1F            | 1E | 1D | 1C | 1B | 1A | 19 | 18 | 35  |   |
| 22H  | 17            | 16 | 15 | 14 | 13 | 12 | 11 | 10 | 34  |   |
| 21H  | 0F            | 0E | 0D | 0C | 0B | 0A | 09 | 08 | 33  |   |
| 20H  | 07            | 06 | 05 | 04 | 03 | 02 | 01 | 00 | 32  |   |
| 1FH  | Bank 3        |    |    |    |    |    |    |    | 31  |   |
| 18H  | Bank 3        |    |    |    |    |    |    |    | 24  |   |
| 17H  | Bank 2        |    |    |    |    |    |    |    | 23  |   |
| 10H  | Bank 2        |    |    |    |    |    |    |    | 16  |   |
| 0FH  | Bank 1        |    |    |    |    |    |    |    | 15  |   |
| 08H  | Bank 1        |    |    |    |    |    |    |    | 8   |   |
| 07H  | Bank 0        |    |    |    |    |    |    |    | 7   |   |
| 00H  | Bank 0        |    |    |    |    |    |    |    | 0   |   |

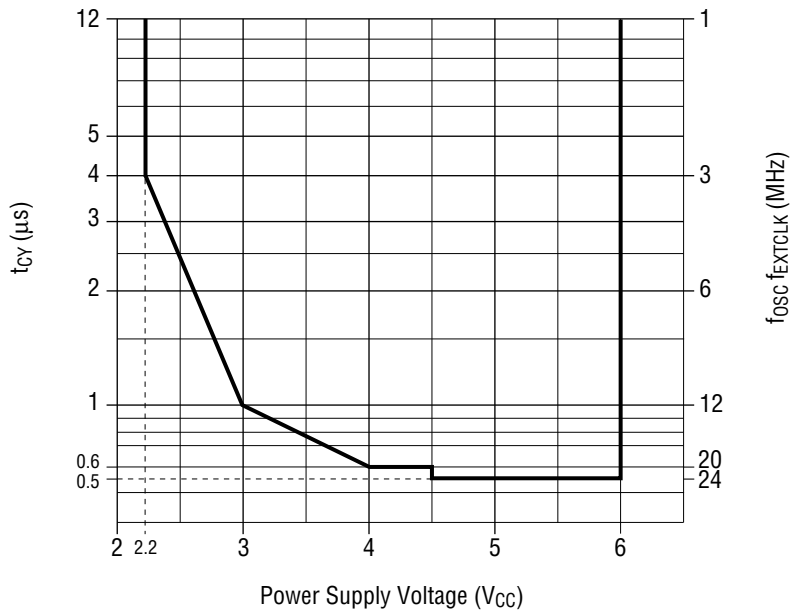
**ABSOLUTE MAXIMUM RATINGS**

| Parameter           | Symbol    | Condition                | Rating               | Unit               |
|---------------------|-----------|--------------------------|----------------------|--------------------|
| Supply voltage      | $V_{CC}$  | $T_a=25^{\circ}\text{C}$ | -0.5 to 7            | V                  |
| Input voltage       | $V_I$     | $T_a=25^{\circ}\text{C}$ | -0.5 to $V_{CC}+0.5$ | V                  |
| Storage temperature | $T_{STG}$ | —                        | -55 to +150          | $^{\circ}\text{C}$ |

**RECOMMENDED OPERATING CONDITIONS**

| Parameter                          | Symbol       | Condition                         | Range      | Unit               |
|------------------------------------|--------------|-----------------------------------|------------|--------------------|
| Power supply voltage               | $V_{CC}$     | See below.                        | 2.0 to 6.0 | V                  |
| Memory retention voltage           | $V_{CC}$     | $f_{OSC}=0$ Hz (Oscillation stop) | 2.0 to 6.0 | V                  |
| Oscillation frequency              | $f_{OSC}$    | See below.                        | 1 to 24    | MHz                |
| External clock operating frequency | $f_{EXTCLK}$ | See below.                        | 0 to 24    | MHz                |
| Ambient temperature                | $T_a$        | —                                 | -40 to +85 | $^{\circ}\text{C}$ |

\*1 Depends on the specifications for the oscillator or ceramic resonator.



## ELECTRICAL CHARACTERISTICS

### DC Characteristics 1

( $V_{CC}=4.0$  to  $6.0$  V,  $V_{SS}=0$  V,  $T_a=-40$  to  $+85^\circ\text{C}$ )

| Parameter   | Symbol            | Condition  | Min.             | Typ. | Max.             | Unit          | Measuring circuit |
|---|-------------------|--|------------------|------|------------------|---------------|-------------------|
| Input Low Voltage   | $V_{IL}$          | —  | -0.5             | —    | $0.2 V_{CC}-0.1$ | V             | 1                 |
| Input High Voltage  | $V_{IH}$          | Except XTAL1, $\overline{EA}$ , and RESET            | $0.2 V_{CC}+0.9$ | —    | $V_{CC}+0.5$     | V             |                   |
| Input High Voltage  | $V_{IH1}$         | XTAL1, RESET and $\overline{EA}$                     | $0.7 V_{CC}$     | —    | $V_{CC}+0.5$     | V             |                   |
| Output Low Voltage (PORT 1, 2, 3)                                       | $V_{OL}$          | $I_{OL}=1.6$ mA                                      | —                | —    | 0.45             | V             |                   |
| Output Low Voltage (PORT 0, ALE, $\overline{PSEN}$ )                    | $V_{OL1}$         | $I_{OL}=3.2$ mA                                      | —                | —    | 0.45             | V             |                   |
| Output High Voltage (PORT 1, 2, 3)                                      | $V_{OH}$          | $I_{OH}=-60$ $\mu\text{A}$<br>$V_{CC}=5 V \pm 10\%$  | 2.4              | —    | —                | V             |                   |
|   |                   | $I_{OH}=-30$ $\mu\text{A}$                           | $0.75 V_{CC}$    | —    | —                | V             |                   |
|   |                   | $I_{OH}=-10$ $\mu\text{A}$                           | $0.9 V_{CC}$     | —    | —                | V             |                   |
| Output High Voltage (PORT 0, ALE, $\overline{PSEN}$ )                   | $V_{OH1}$         | $I_{OH}=-400$ $\mu\text{A}$<br>$V_{CC}=5 V \pm 10\%$ | 2.4              | —    | —                | V             |                   |
|   |                   | $I_{OH}=-150$ $\mu\text{A}$                          | $0.75 V_{CC}$    | —    | —                | V             |                   |
|   |                   | $I_{OH}=-40$ $\mu\text{A}$                           | $0.9 V_{CC}$     | —    | —                | V             |                   |
| Logical 0 Input Current/<br>Logical 1 Output Current/<br>(PORT 1, 2, 3) | $I_{IL} / I_{OH}$ | $V_I=0.45$ V<br>$V_O=0.45$ V                         | -5               | -20  | -80              | $\mu\text{A}$ | 2                 |
| Logical 1 to 0 Transition<br>Output Current (PORT 1, 2, 3)              | $I_{TL}$          | $V_I=2.0$ V  | —                | -190 | -500             | $\mu\text{A}$ |                   |
| Input Leakage Current<br>(PORT 0 floating, $\overline{EA}$ )            | $I_{LI}$          | $V_{SS} < V_I < V_{CC}$                              | —                | —    | $\pm 10$         | $\mu\text{A}$ | 3                 |
| RESET Pull-down Resistance  | $R_{RST}$         | —  | 20               | 40   | 125              | k $\Omega$    | 2                 |
| Pin Capacitance   | $C_{IO}$          | $T_a=25^\circ\text{C}$ , $f=1$ MHz<br>(except XTAL1) | —                | —    | 10               | pF            | —                 |
| Power Down Current  | $I_{PD}$          | —  | —                | 1    | 50               | $\mu\text{A}$ | 4                 |



**Maximum power supply current normal operation  $I_{CC}$  (mA)**

| <b>V<sub>CC</sub></b> | <b>4 V</b> | <b>5 V</b> | <b>6 V</b> |
|-----------------------|------------|------------|------------|
| Freq                  |            |            |            |
| 1 MHz                 | 2.2        | 3.1        | 4.1        |
| 3 MHz                 | 3.9        | 5.2        | 7.0        |
| 12 MHz                | 12.0       | 16.0       | 20.0       |
| 16 MHz                | 16.0       | 20.0       | 25.0       |
| 20 MHz                | 19.0       | 25.0       | 30.0       |

| <b>V<sub>CC</sub></b> | <b>4.5 V</b> | <b>5 V</b> | <b>6 V</b> |
|-----------------------|--------------|------------|------------|
| Freq                  |              |            |            |
| 24 MHz                | 25.0         | 29.0       | 35.0       |

**Maximum power supply current idle mode  $I_{CC}$  (mA)**

| <b>V<sub>CC</sub></b> | <b>4 V</b> | <b>5 V</b> | <b>6 V</b> |
|-----------------------|------------|------------|------------|
| Freq                  |            |            |            |
| 1 MHz                 | 0.8        | 1.2        | 1.6        |
| 3 MHz                 | 1.2        | 1.7        | 2.3        |
| 12 MHz                | 3.1        | 4.4        | 5.9        |
| 16 MHz                | 3.8        | 5.5        | 7.3        |
| 20 MHz                | 4.5        | 6.4        | 8.6        |

| <b>V<sub>CC</sub></b> | <b>4.5 V</b> | <b>5 V</b> | <b>6 V</b> |
|-----------------------|--------------|------------|------------|
| Freq                  |              |            |            |
| 24 MHz                | 6.4          | 7.4        | 9.8        |

## DC Characteristics 2

(V<sub>CC</sub>=2.2 to 4.0 V, V<sub>SS</sub>=0 V, T<sub>a</sub>=-40 to +85°C)

| Parameter   | Symbol                            | Condition  | Min.                      | Typ. | Max.                      | Unit | Measuring circuit |
|---|-----------------------------------|--|---------------------------|------|---------------------------|------|-------------------|
| Input Low Voltage   | V <sub>IL</sub>                   | —  | -0.5                      | —    | 0.25 V <sub>CC</sub> -0.1 | V    | 1                 |
| Input High Voltage  | V <sub>IH</sub>                   | Except XTAL1, $\overline{EA}$ , and RESET          | 0.25 V <sub>CC</sub> +0.9 | —    | V <sub>CC</sub> +0.5      | V    |                   |
| Input High Voltage  | V <sub>IH1</sub>                  | XTAL1, RESET, and $\overline{EA}$                  | 0.6 V <sub>CC</sub> +0.6  | —    | V <sub>CC</sub> +0.5      | V    |                   |
| Output Low Voltage<br>(PORT 1, 2, 3)                                    | V <sub>OL</sub>                   | I <sub>OL</sub> =10 μA                             | —                         | —    | 0.1                       | V    |                   |
| Output Low Voltage<br>(PORT 0, ALE, $\overline{PSEN}$ )                 | V <sub>OL1</sub>                  | I <sub>OL</sub> =20 μA                             | —                         | —    | 0.1                       | V    |                   |
| Output High Voltage<br>Output High Voltage                              | V <sub>OH</sub>                   | I <sub>OH</sub> =-5 μA                             | 0.75 V <sub>CC</sub>      | —    | —                         | V    |                   |
| (PORT 1, 2, 3)<br>(PORT 0, ALE, $\overline{PSEN}$ )                     | V <sub>OH1</sub>                  | I <sub>OH</sub> =-20 μA                            | 0.75 V <sub>CC</sub>      | —    | —                         | V    |                   |
| Logical 0 Input Current/<br>Logical 1 Output Current/<br>(PORT 1, 2, 3) | I <sub>IL</sub> / I <sub>OH</sub> | $\frac{V_I=0.1\text{ V}}{V_O=0.1\text{ V}}$        | -5                        | -10  | -40                       | μA   | 2                 |
| Logical 1 to 0 Transition<br>Output Current (PORT 1, 2, 3)              | I <sub>TL</sub>                   | V <sub>I</sub> =1.9 V                              | —                         | -80  | -300                      | μA   |                   |
| Input Leakage Current<br>(PORT 0 floating, $\overline{EA}$ )            | I <sub>LI</sub>                   | V <sub>SS</sub> < V <sub>I</sub> < V <sub>CC</sub> | —                         | —    | ±10                       | μA   | 3                 |
| RESET Pull-down Resistance  | R <sub>RST</sub>                  | —  | 20                        | 40   | 125                       | kΩ   | 2                 |
| Pin Capacitance   | C <sub>IO</sub>                   | T <sub>a</sub> =25°C, f=1 MHz<br>(except XTAL1)    | —                         | —    | 10                        | pF   | —                 |
| Power Down Current  | I <sub>PD</sub>                   | —  | —                         | 1    | 10                        | μA   | 4                 |

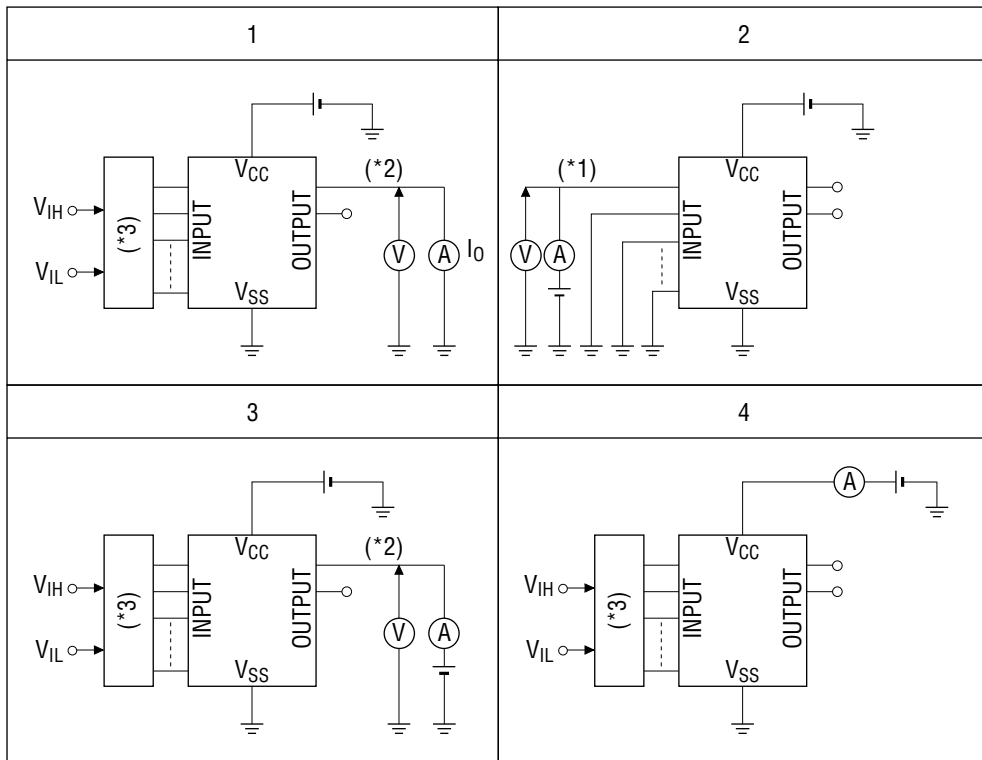
**Maximum power supply current normal operation  $I_{CC}$  (mA)**

| <b>V<sub>CC</sub></b> | <b>2.2 V</b> | <b>3.0 V</b> | <b>4.0 V</b> |
|-----------------------|--------------|--------------|--------------|
| Freq                  |              |              |              |
| 1 MHz                 | 0.9          | 1.4          | 2.2          |
| 3 MHz                 | 1.8          | 2.4          | 4.3          |
| 12 MHz                | —            | 8.0          | 12.0         |
| 16 MHz                | —            | —            | 16.0         |

**Maximum power supply current idle mode  $I_{CC}$  (mA)**

| <b>V<sub>CC</sub></b> | <b>2.2 V</b> | <b>3.0 V</b> | <b>4.0 V</b> |
|-----------------------|--------------|--------------|--------------|
| Freq                  |              |              |              |
| 1 MHz                 | 0.3          | 0.5          | 0.8          |
| 3 MHz                 | 0.5          | 0.8          | 1.2          |
| 12 MHz                | —            | 2.0          | 3.1          |
| 16 MHz                | —            | —            | 3.8          |

Measuring circuits



- \*1: Repeated for specified input pins.
- \*2: Repeated for specified output pins.
- \*3: Input logic for specified status.

AC Characteristics

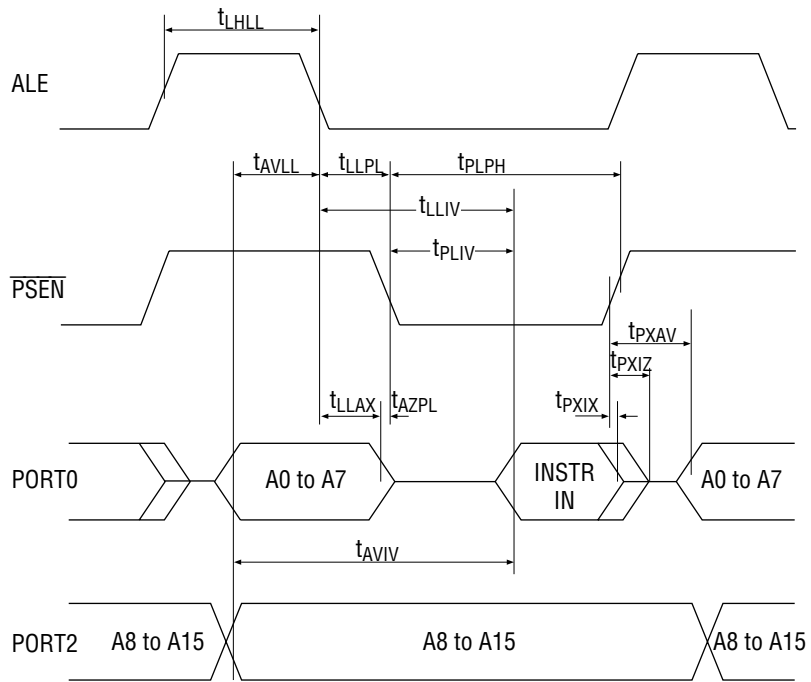
(1) External program memory access AC characteristics

(  $V_{CC}=2.2$  to  $6.0V$ ,  $V_{SS}=0V$ ,  $T_a=-40^{\circ}C$  to  $+85^{\circ}C$  )  
 ( PORT 0, ALE, and  $\overline{PSEN}$  connected with  $100pF$  load, other connected with  $80pF$  load )

| Parameter   | Symble     | Variable clock from *1 |                 | Unit |
|---|------------|------------------------|-----------------|------|
|   |            | 1 to 24 MHz            |                 |      |
|   |            | Min.                   | Max.            |      |
| XTAL1, XTAL 2 Oscillation Cycle   | $t_{CLCL}$ | 41.7                   | 1000            | ns   |
| ALE Signal Width  | $t_{LHLL}$ | $2t_{CLCL}-40$         | —               | ns   |
| Address Setup Time<br>(to ALE Falling Edge)   | $t_{AVLL}$ | $1t_{CLCL}-15$         | —               | ns   |
| Address Hold Time<br>(from ALE Falling Edge)  | $t_{LLAX}$ | $1t_{CLCL}-35$         | —               | ns   |
| Instruction Data Read Time<br>(from ALE Falling Edge)                                 | $t_{LLPL}$ | —                      | $4t_{CLCL}-100$ | ns   |
| From ALE Falling Edge to $\overline{PSEN}$<br>Falling Edge                            | $t_{LLPL}$ | $1t_{CLCL}-30$         | —               | ns   |
| $\overline{PSEN}$ Signal Width  | $t_{PLPH}$ | $3t_{CLCL}-35$         | —               | ns   |
| Instruction Data Read Time<br>(from $\overline{PSEN}$ Falling Edge)                   | $t_{PLIV}$ | —                      | $3t_{CLCL}-45$  | ns   |
| Instruction Data Hold Time<br>(from $\overline{PSEN}$ Rising Edge)                    | $t_{PXIX}$ | 0                      | —               | ns   |
| Bus Floating Time after Instruction<br>Data Read (from $\overline{PSEN}$ Rising Edge) | $t_{PXIZ}$ | —                      | $1t_{CLCL}-20$  | ns   |
| Instruction Data Read Time<br>(from Address Output)                                   | $t_{AVIV}$ | —                      | $5t_{CLCL}-105$ | ns   |
| Bus Floating Time( $\overline{PSEN}$ Rising<br>Edge from Address float)               | $t_{AZPL}$ | 0                      | —               | ns   |
| Address Output Time from $\overline{PSEN}$<br>Rising Edge                             | $t_{PXAV}$ | $1t_{CLCL}-20$         | —               | ns   |

\*1 The variable check is from 0 to 24 MHz when the external check is used.

(2) External program memory read cycle



**(3) External data memory access AC characteristics**

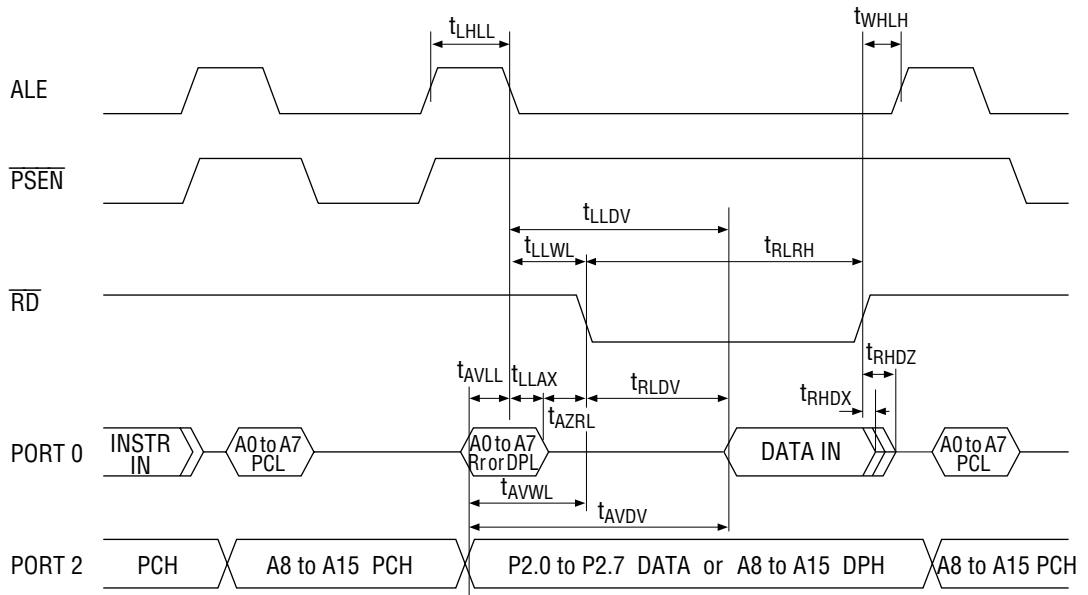
( $V_{CC}=2.2$  to  $6.0V$ ,  $V_{SS}=0V$ ,  $T_a=-40^{\circ}C$  to  $+85^{\circ}C$ )  
 (PORT 0, ALE, and  $\overline{PSEN}$  connected with 100pF load, other connected with 80pF load)

| Parameter   | Symbol     | Variable clock from*1<br>1 to 24 MHz |                    | Unit |
|---|------------|--------------------------------------|--------------------|------|
|   |            | Min.                                 | Max.               |      |
| XTAL1, XTAL2 Oscillator Cycle   | $t_{CLCL}$ | 41.7                                 | 1000               | ns   |
| ALE Signal Width  | $t_{LHLL}$ | $2t_{CLCL}-40$                       | —                  | ns   |
| Address Setup Time<br>(to ALE Falling Edge)                               | $t_{AVLL}$ | $1t_{CLCL}-15$                       | —                  | ns   |
| Address Hold Time<br>(from ALE Falling Edge)                              | $t_{LLAX}$ | $1t_{CLCL}-35$                       | —                  | ns   |
| $\overline{RD}$ Signal Width  | $t_{RLRL}$ | $6t_{CLCL}-100$                      | —                  | ns   |
| $\overline{WR}$ Signal Width  | $t_{WLWH}$ | $6t_{CLCL}-100$                      | —                  | ns   |
| RAM Data Read Time<br>(from $\overline{RD}$ Signal Falling Edge)          | $t_{RLDV}$ | —                                    | $5t_{CLCL}-105$    | ns   |
| RAM Data Read Hold Time<br>(from $\overline{RD}$ Signal Rising Edge)      | $t_{RHDX}$ | 0                                    | —                  | ns   |
| Data Bus Floating Time<br>(from $\overline{RD}$ Signal Rising Edge)       | $t_{RHDZ}$ | —                                    | $2t_{CLCL}-70$     | ns   |
| RAM Data Read Time<br>(from ALE Signal Falling Edge)                      | $t_{LLDV}$ | —                                    | $8t_{CLCL}-100$    | ns   |
| RAM Data Read Time<br>(from Address Output)                               | $t_{AVDV}$ | —                                    | $9t_{CLCL}-105$    | ns   |
| $\overline{RD}/\overline{WR}$ Output Time from ALE<br>Falling Edge        | $t_{LLWL}$ | $3t_{CLCL}-40$                       | $3t_{CLCL}+40$     | ns   |
|   |            | *2 $3t_{CLCL}-100$                   |                    |      |
| $\overline{RD}/\overline{WR}$ Output Time from Address<br>Output          | $t_{AVWL}$ | $4t_{CLCL}-70$                       | —                  | ns   |
| $\overline{WR}$ Output Time from Data Output                              | $t_{QVWX}$ | $1t_{CLCL}-40$                       | —                  | ns   |
| Time from Data to $\overline{WR}$ Rising Edge                             | $t_{QVWH}$ | $7t_{CLCL}-105$                      | —                  | ns   |
| Data Hold Time<br>(from $\overline{WR}$ Rising Edge)                      | $t_{WHQX}$ | $2t_{CLCL}-50$                       | —                  | ns   |
| Time from to Address Float $\overline{RD}$<br>Output                      | $t_{RLAZ}$ | 0                                    | —                  | ns   |
| Time from $\overline{RD}/\overline{WR}$ Rising Edge to<br>ALE Rising Edge | $t_{WHLH}$ | $1t_{CLCL}-30$                       | $1t_{CLCL}+40$     | ns   |
|   |            |                                      | *2 $1t_{CLCL}+100$ |      |

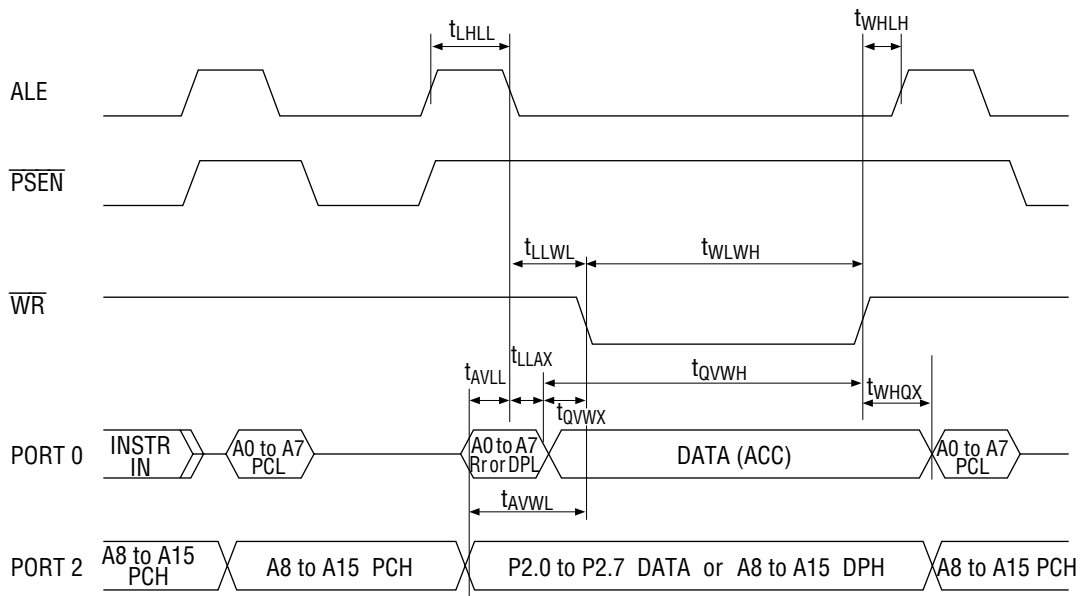
\*1 The variable check is from 0 to 24 MHz when the external check is used.

\*2 For  $2.2 \leq V_{CC} < 4$  V

**(4) External data memory read cycle**



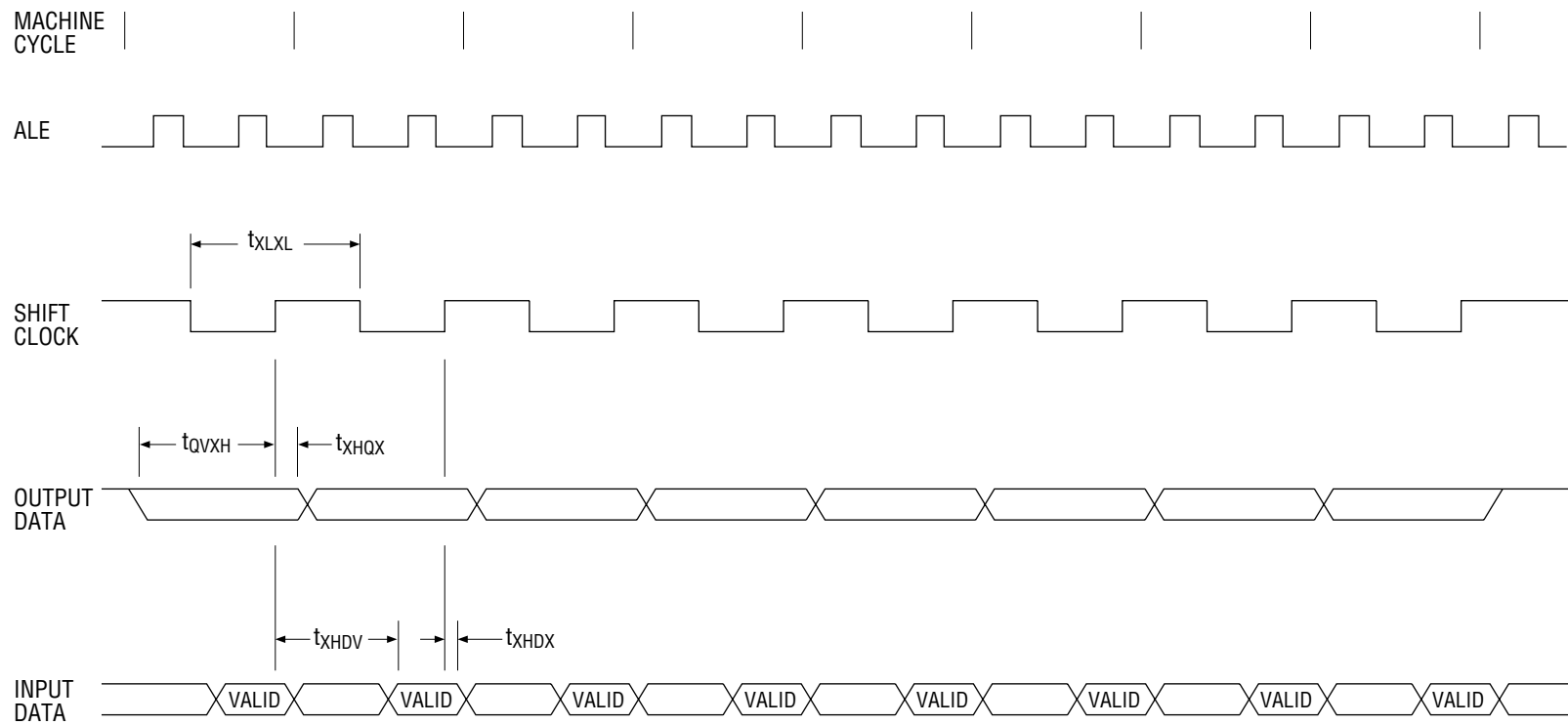
**(5) External data memory write cycle**





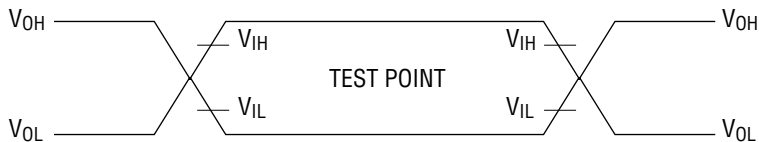
**(6) Serial port (I/O Extension Mode) AC characteristics** $(V_{CC}=2.2 \text{ to } 6.0\text{V}, V_{SS}=0\text{V}, T_a=-40^\circ\text{C to } +85^\circ\text{C})$ 

| <b>Parameter</b>                         | <b>Symbol</b> | <b>Min.</b>      | <b>Max.</b>      | <b>Unit</b> |
|--|---------------|------------------|------------------|-------------|
| Serial Port Clock Cycle Time             | $t_{LXL}$     | $12t_{CLCL}$     | —                | ns          |
| Output Data Setup to Clock Rising Edge   | $t_{QVXH}$    | $10t_{CLCL}-133$ | —                | ns          |
| Output Data Hold After Clock Rising Edge | $t_{XHGX}$    | $2t_{CLCL}-75$   | —                | ns          |
| Input Data Hold After Clock Rising Edge  | $t_{XHDX}$    | 0                | —                | ns          |
| Clock Rising Edge to Input Data Valid    | $t_{XHDV}$    | —                | $10t_{CLCL}-133$ | ns          |



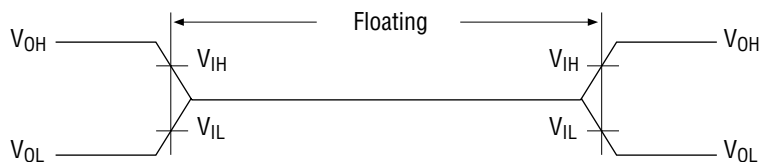
**(7) AC Characteristics Measuring Conditions**

1. Input/output signal



\* The input signals in AC test mode are either  $V_{OH}$  (logic "1") or  $V_{OL}$  (logic "0") input signals where logic "1" corresponds to a CPU output signal waveform measuring point in excess of  $V_{IH}$ , and logic "0" to a point below  $V_{IL}$ .

2. Floating

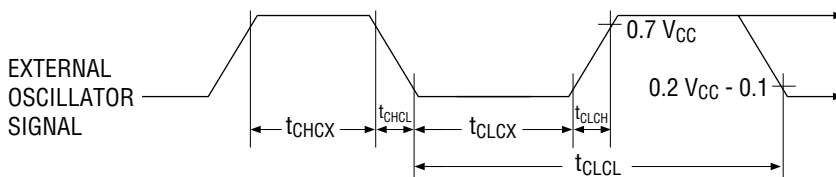


\* The port 0 floating interval is measured from the time the port 0 pin voltage drops below  $V_{IH}$  after sinking to GND at 2.4 mA when switching to floating status from a "1" output, and from the time the port 0 pin voltage exceeds  $V_{IL}$  after connecting to a 400  $\mu$ A source when switching to floating status from a "0" output.

**(8) XTAL1 external clock input waveform conditions**

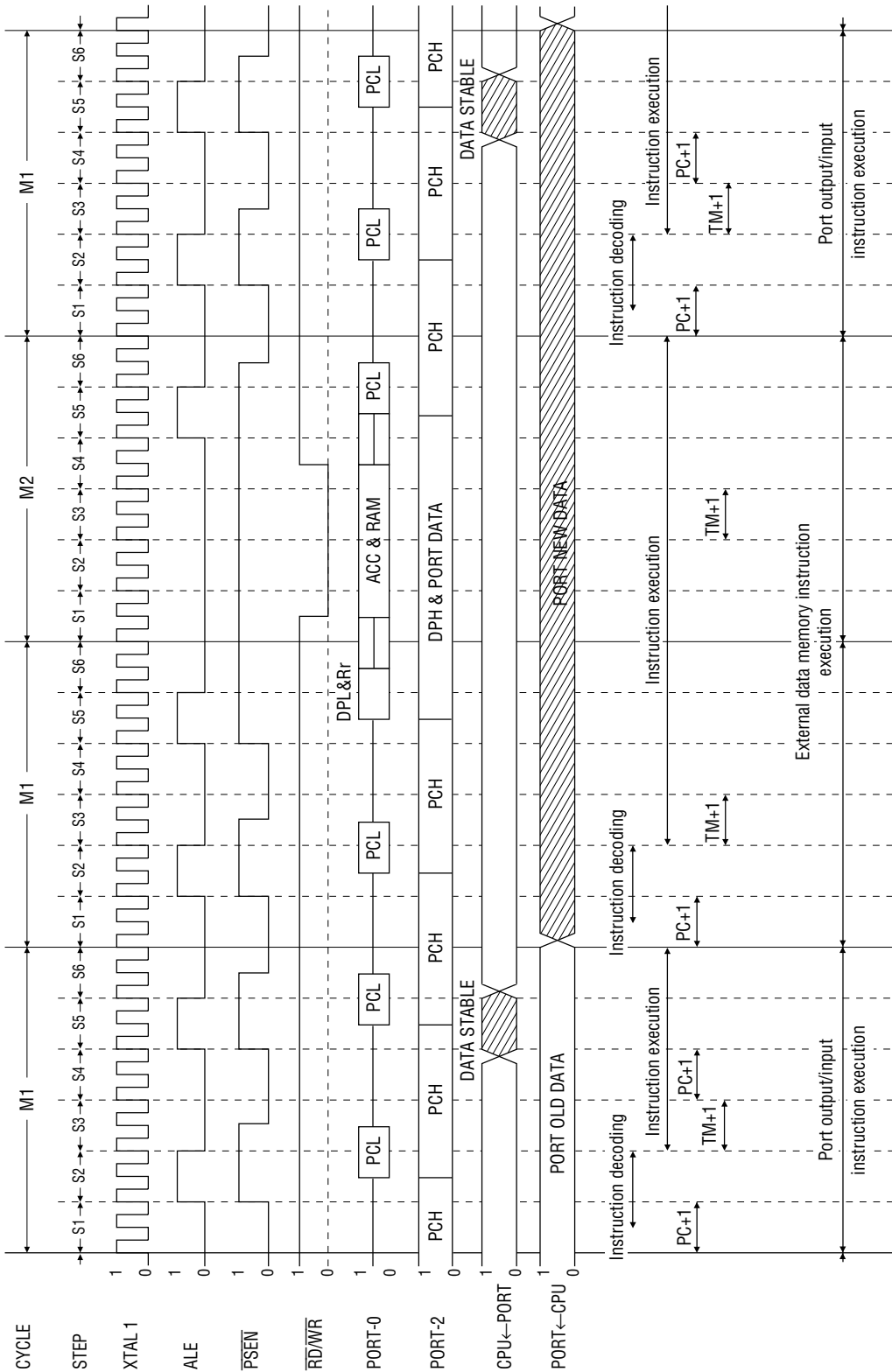
| Parameter            | Symbol       | Min. | Max. | Unit |
|----------------------|--------------|------|------|------|
| External Clock Freq. | $1/t_{CLCL}$ | 0    | 24   | MHz  |
| Clock Pulse width 1  | $t_{CHCX}$   | 15   | —    | ns   |
| Clock Pulse width 2  | $t_{CLCX}$   | 15   | —    | ns   |
| Rise Time            | $t_{CLCH}$   | —    | 5    | ns   |
| Fall Time            | $t_{CHCL}$   | —    | 5    | ns   |

**External Clock Drive Waveform**



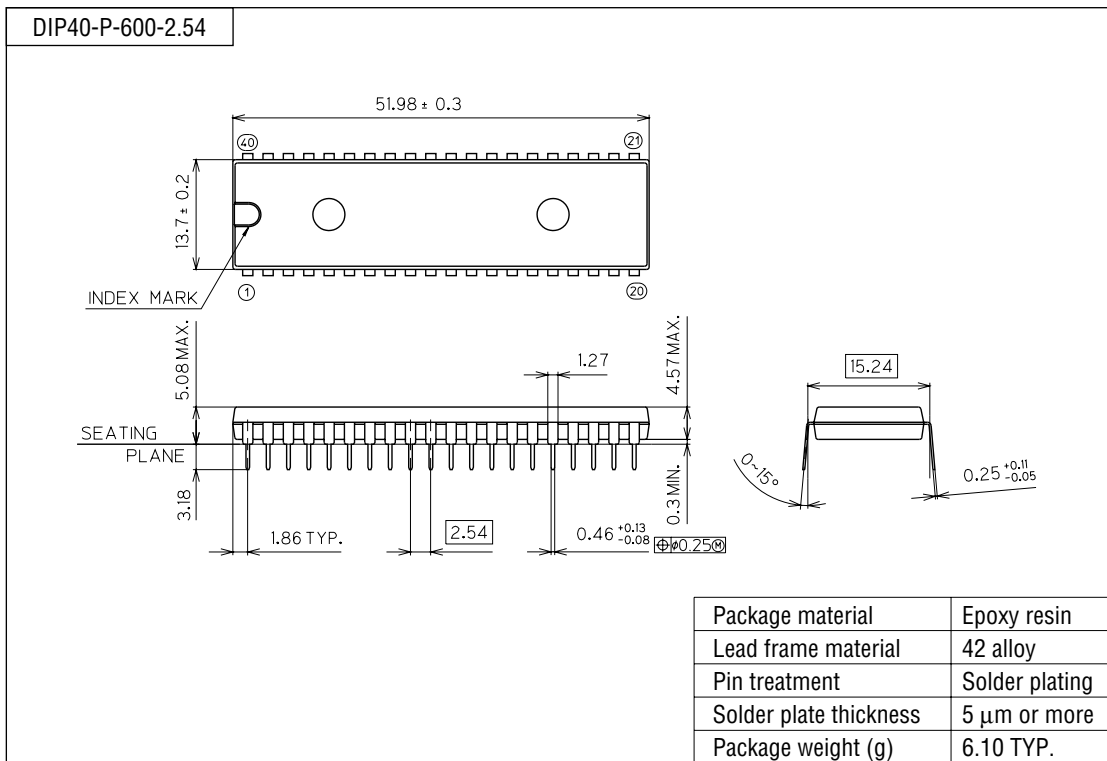
Timing Diagram

Basic timing



**PACKAGE DIMENSIONS**

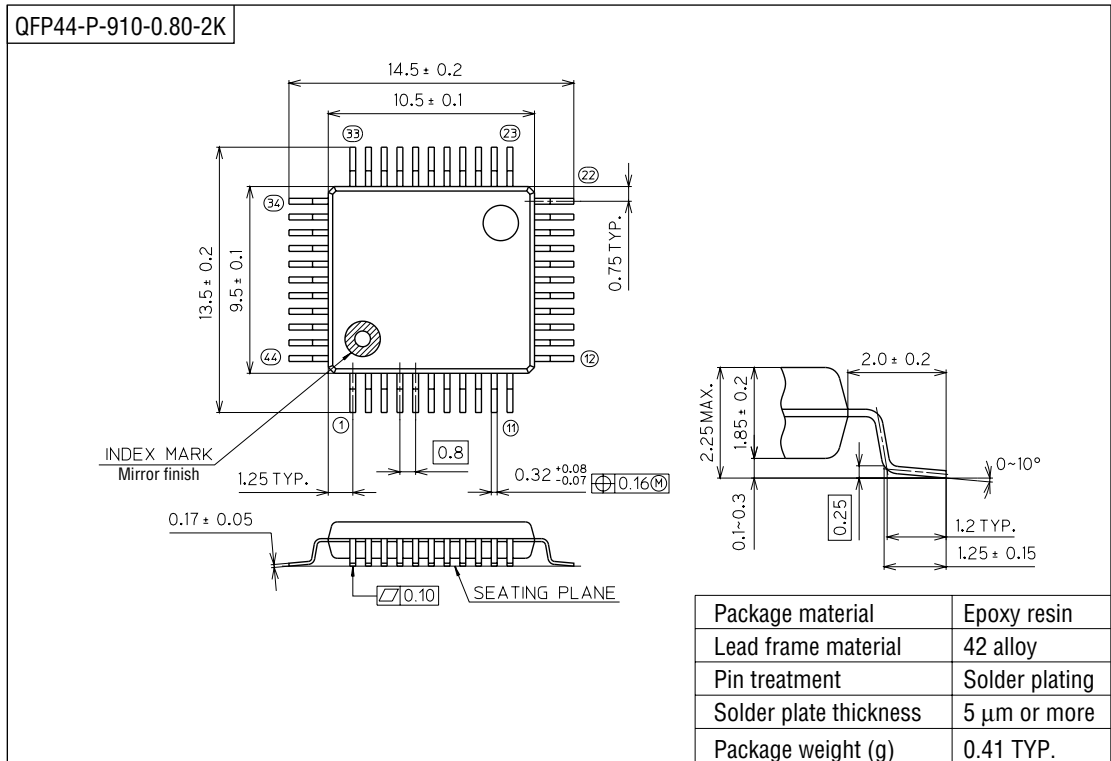
(Unit : mm)



Notes for Mounting the Surface Mount Type Package

The SOP, QFP, TSOP, SOJ, QFJ (PLCC), SHP and BGA are surface mount type packages, which are very susceptible to heat in reflow mounting and humidity absorbed in storage. Therefore, before you perform reflow mounting, contact Oki's responsible sales person for the product name, package name, pin number, package code and desired mounting conditions (reflow method, temperature and times).

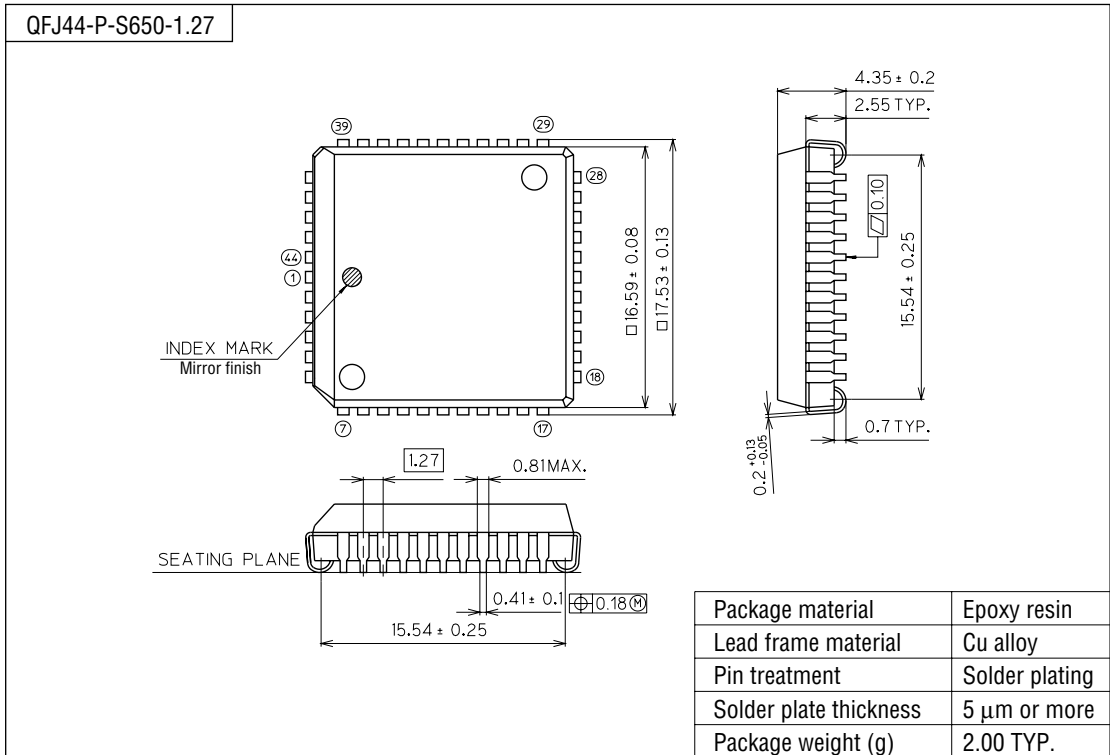
(Unit : mm)



Notes for Mounting the Surface Mount Type Package

The SOP, QFP, TSOP, SOJ, QFJ (PLCC), SHP and BGA are surface mount type packages, which are very susceptible to heat in reflow mounting and humidity absorbed in storage. Therefore, before you perform reflow mounting, contact Oki's responsible sales person for the product name, package name, pin number, package code and desired mounting conditions (reflow method, temperature and times).

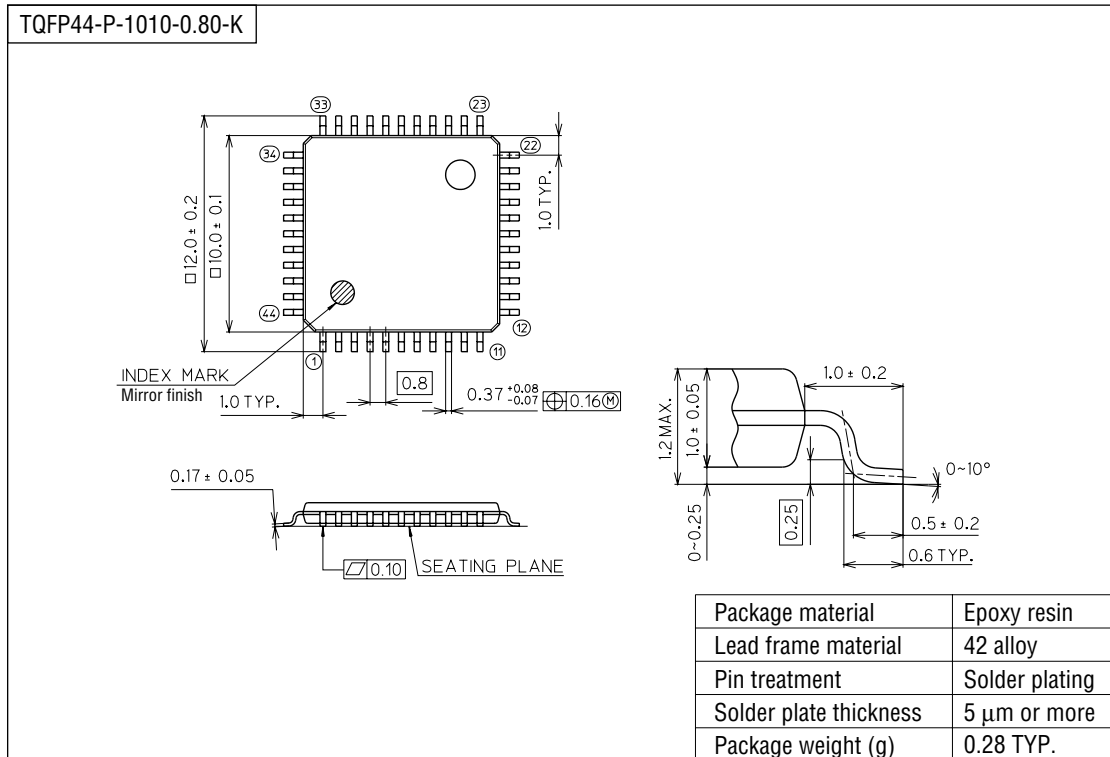
(Unit : mm)



Notes for Mounting the Surface Mount Type Package

The SOP, QFP, TSOP, SOJ, QFJ (PLCC), SHP and BGA are surface mount type packages, which are very susceptible to heat in reflow mounting and humidity absorbed in storage. Therefore, before you perform reflow mounting, contact Oki's responsible sales person for the product name, package name, pin number, package code and desired mounting conditions (reflow method, temperature and times).

(Unit : mm)



Notes for Mounting the Surface Mount Type Package

The SOP, QFP, TSOP, SOJ, QFJ (PLCC), SHP and BGA are surface mount type packages, which are very susceptible to heat in reflow mounting and humidity absorbed in storage. Therefore, before you perform reflow mounting, contact Oki's responsible sales person for the product name, package name, pin number, package code and desired mounting conditions (reflow method, temperature and times).