

PLEASE CHECK WWW.MOLEX.COM FOR LATEST PART INFORMATION

Part Number: [5015680207](#)
Status: **Active**
Overview: [picoclasp](#)
Description: 1.00mm (.039") Pitch Pico-Clasp™ Wire-to-Board Header, Surface Mount, Single Row, Right Angle, with Friction Lock, 2 Circuits, Lead-free

Documents:

[3D Model](#) [Product Specification PS-501568-001 \(PDF\)](#)
[Drawing \(PDF\)](#) [RoHS Certificate of Compliance \(PDF\)](#)

General

Product Family	PCB Headers
Series	501568
Application	Wire-to-Board
Overview	picoclasp
Product Name	Pico-Clasp™

Physical

Breakaway	No
Circuits (Loaded)	2
Color - Resin	Natural
Durability (mating cycles max)	30
Glow-Wire Compliant	No
Lock to Mating Part	Yes
Material - Metal	Brass, Phosphor Bronze
Material - Plating Mating	Tin
Material - Plating Termination	Tin
Material - Resin	Nylon
Number of Rows	1
Orientation	Right Angle
PCB Locator	No
PCB Retention	Yes
Packaging Type	Embossed Tape on Reel
Pitch - Mating Interface (in)	0.039 In
Pitch - Mating Interface (mm)	1.00 mm
Polarized to Mating Part	Yes
Polarized to PCB	No
Stackable	No
Temperature Range - Operating	-40°C to +85°C
Termination Interface: Style	Surface Mount

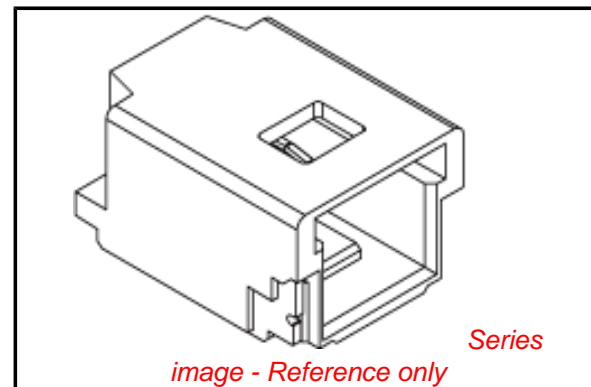
Electrical

Current - Maximum per Contact	1A
Voltage - Maximum	50V AC (RMS)/DC

Material Info

Reference - Drawing Numbers

Packaging Specification	SPK-501568-001
Product Specification	PS-501568-001, RPS-501331-001, RPS-501568-001, RPS-501568-003, RPS-501568-004, RPS-501568-005
Sales Drawing	SD-501568-001, SD-501568-005



EU RoHS

**ELV and RoHS
Compliant**
REACH SVHC
 Not Reviewed
**Halogen-Free
Status**

China RoHS



**Need more information on product
environmental compliance?**

Email productcompliance@molex.com
 For a multiple part number RoHS Certificate of Compliance, [click here](#)

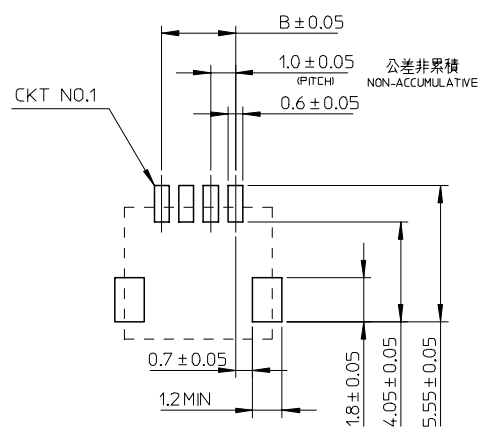
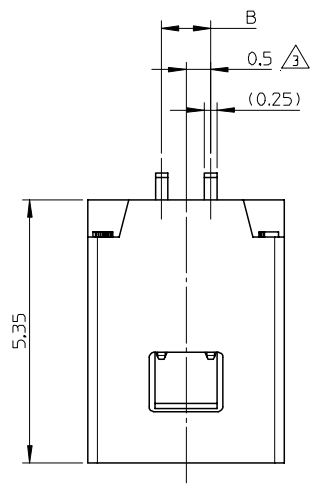
Please visit the [Contact Us](#) section for any non-product compliance questions.

Search Parts in this Series

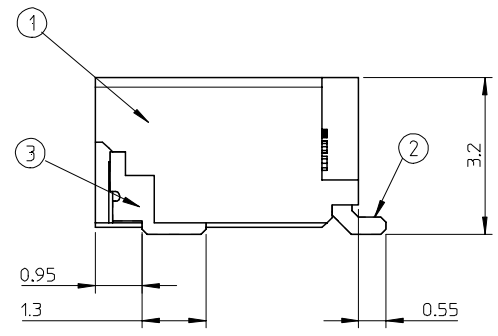
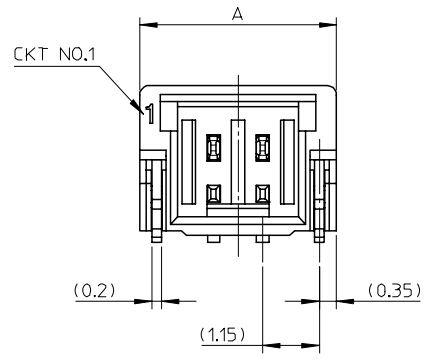
[501568Series](#)

Mates With

[501330](#) Pico-Clasp™ Wire-to-Board Female Housing



参考パターンレイアウト
RECOMMENDED PATTERN DIM.(REF)
SCALE:5-1



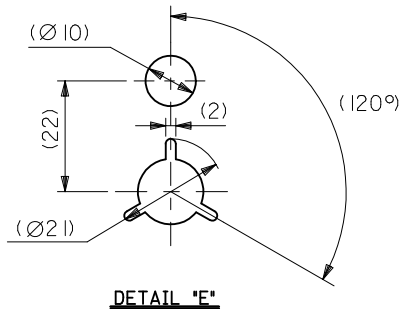
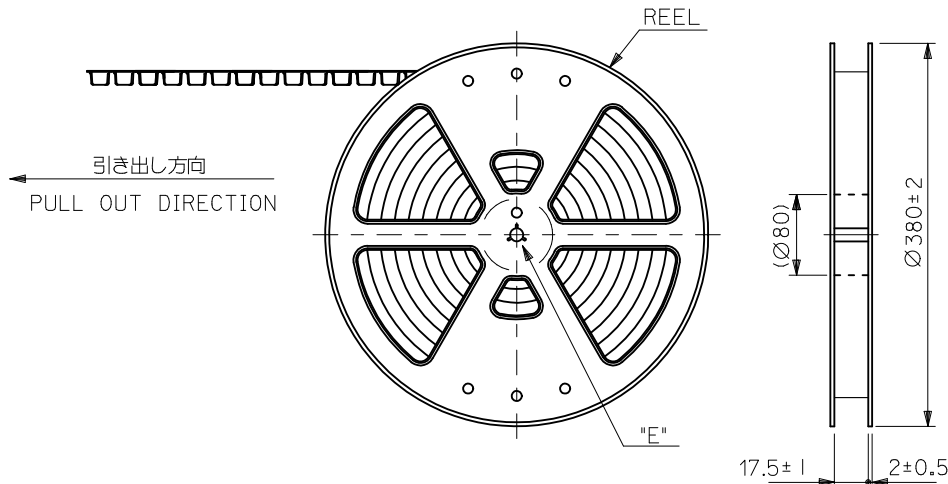
番号 NO.	部品 PART	材質 MATERIAL
①	ウェハー WAFER	耐熱ナイロン、UL94V-0、色：自然色 HEAT RESISTANCE NYLON, UL94V-0, COLOR:NATURAL
②	ソルダーピン SOLDER PIN	リン青銅 PHOSPHOR BRONZE すずメッキ : 1 MICRO METER MINIMUM. TIN PLATING ニッケル下地メッキ : 1 MICRO METER MINIMUM. NICKEL UNDER PLATING
③	ネイル NAIL	黄銅 BRASS すずメッキ : 1 MICRO METER MINIMUM. TIN PLATING ニッケル下地メッキ : 1 MICRO METER MINIMUM. NICKEL UNDER PLATING

4.0	7.0	501568-0509	5	501568-**09
3.0	6.0	501568-0409	4	
2.0	5.0	501568-0309	3	
1.0	4.0	501568-0209	2	
B	A	MATERIAL NO.	CKT	MODEL NO.

NOTES

- かん合相手 : 501330-****
MATE WITH : 501330-****
- ソルダーピン及びネイルの平坦度は0.1MAX.
SOLDER PIN AND NAIL COPLANARITY TO BE 0.1MAX.
- 極数=偶数に適用
APPLY FOR CKT SIZE=EVEN
- 6~15極は、SD-501568-002を参照下さい。
REFER TO SD-501568-002 ABOUT 6-15CKT.

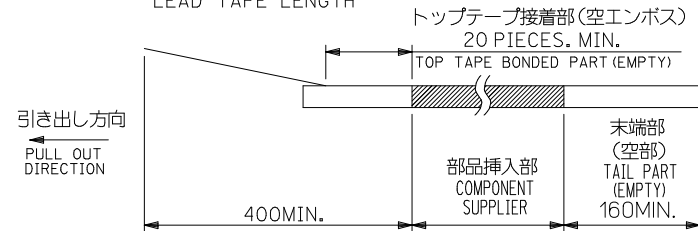
REVISED EC NO: J2008-0220 DRW: NABEI 2007/07/25 CHK: KYOUDA 2007/07/27 APP: NUKITA 2007/07/27	GENERAL TOLERANCES (UNLESS SPECIFIED)		DIMENSION STYLE MM ONLY		SCALE 10:1	DESIGN UNITS METRIC	THIRD ANGLE PROJECTION
	10 UNDER	±0.2	DRAWN BY AMIZUMURA	DATE 2005/01/19	TITLE 1.0 WIRE TO BOARD CONN. 1-ROW R/A WAFER ASSY 2-5CKT -LEAD FREE-		
	10 OVER 30 UNDER	±0.25	CHECKED BY MYAGI	DATE 2005/01/19	MOLEX INCORPORATED		
	30 OVER	±0.3	APPROVED BY ANODA	DATE 2005/01/19	DOCUMENT NO. SD-501568-001		
ANGULAR ±3 °		DRAFT WHERE APPLICABLE MUST REMAIN WITHIN DIMENSIONS		MATERIAL NO. SEE TABLE		SHEET NO. 1 OF 1	
THIS DRAWING CONTAINS INFORMATION THAT IS PROPRIETARY TO MOLEX INCORPORATED AND SHOULD NOT BE USED WITHOUT WRITTEN PERMISSION							



NOTES

- 製品詳細寸法は製品単体図面を参照して下さい。
FOR DETAIL OF CONNECTOR DIMENSIONS, PLEASE SEE THE DRAWING OF CONNECTOR ITSELF (NOT PACKAGED).
- 梱包数量：1700個/リール
NUMBER OF CONNECTORS：1700PIECES/REEL

- リードテープ長さ
LEAD TAPE LENGTH



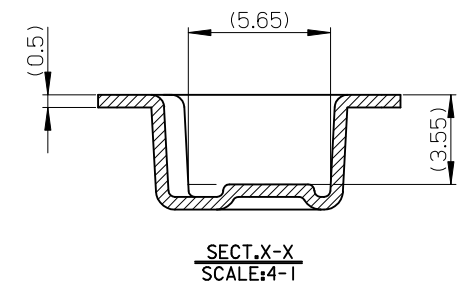
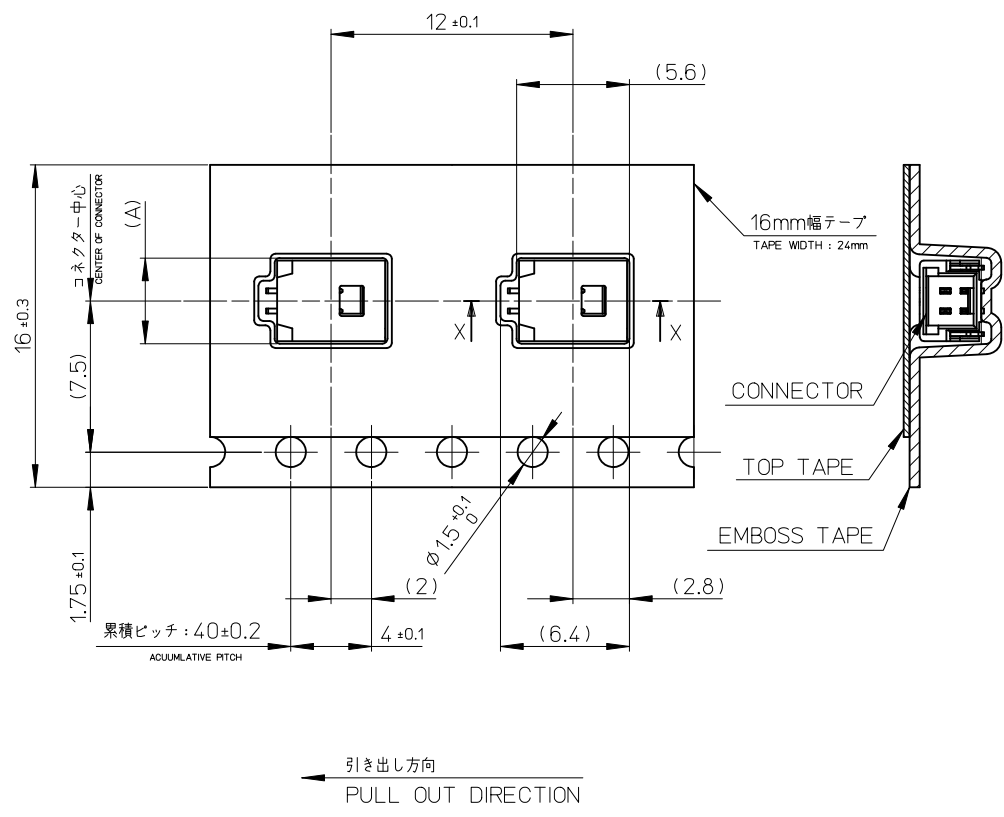
- 材料

MATERIAL
 キャリアテープ：ポリプロピレン
 CARRIER TAPE：POLYPROPYLENE
 トップテープ：PET、PE、REF
 TOP TAPE
 リール：ポリスチレン<リサイクル材を含む>
 REEL：POLYSTYRENE <RECYCLE MATERIAL CONTAINED>

- ELV及びRoHS適合品。
ELV AND RoHS COMPLIANT.

- 本製品は乾燥剤入り、ハイバリア梱包仕様である。
(501568-0607~1507以外)
THIS PRODUCT IS HIGH BARRIER PACKAGE WITH DESICCANT.
(BESIDES 501568-0607~1507)

REVISED	EC NO: J2010-0951	2009/12/16	GENERAL TOLERANCES (UNLESS SPECIFIED)		DIMENSION STYLE MM ONLY		SCALE ---	DESIGN UNITS METRIC	THIRD ANGLE PROJECTION	
	DRWN: NITO	2010/01/05	10 UNDER	±0.2	DRAWN BY	DATE	TITLE 1.0 WIRE TO BOARD CONN. WAFER ASS'Y (1-ROW R/A) EMBTP PKG			
	CHKD: KASAKAWA	2010/01/06	10 OVER 30 UNDER	±0.25	CHECKED BY	DATE				
	APPR: NUKITA		30 OVER	±0.3	APPROVED BY	DATE	MOLEX INCORPORATED			
REV	DESCRIPTION	ANGULAR	±1 °	ANODA	2005/11/26					
DRAFT WHERE APPLICABLE MUST REMAIN WITHIN DIMENSIONS			SEE SHEET 2		MATERIAL NO.		DOCUMENT NO.		SHEET NO.	
			A3		THIS DRAWING CONTAINS INFORMATION THAT IS PROPRIETARY TO MOLEX INCORPORATED AND SHOULD NOT BE USED WITHOUT WRITTEN PERMISSION					



7.3	501568-0509	501568-0507	5
6.3	501568-0409	501568-0407	4
5.3	501568-0309	501568-0307	3
4.3	501568-0209	501568-0207	2
(A)	CONNECTOR	MATERIAL NO.	CKTS.

REVISED EC NO: J2010-0951 DRWN: ITO 2009/12/16 CHKD: KASAKAWA 2010/01/05 APPR: NUKITA 2010/01/06	GENERAL TOLERANCES (UNLESS SPECIFIED)		DIMENSION STYLE MM ONLY		SCALE ---	DESIGN UNITS METRIC	THIRD ANGLE PROJECTION
	10 UNDER	±0.2	DRAWN BY AMIZUMURA	DATE 2005/11/26	TITLE 1.0 WIRE TO BOARD CONN. WAFER ASS'Y (1-ROW R/A) EMBTP PKG		
	10 OVER 30 UNDER	±0.25	CHECKED BY MYAGI	DATE 2005/11/26	MOLEX INCORPORATED		
	30 OVER	±0.3	APPROVED BY ANODA	DATE 2005/11/26	MATERIAL NO. SEE CHART	DOCUMENT NO. SD-501568-005	SHEET NO. 2 OF 2
	ANGULAR ±3 °	THIS DRAWING CONTAINS INFORMATION THAT IS PROPRIETARY TO MOLEX INCORPORATED AND SHOULD NOT BE USED WITHOUT WRITTEN PERMISSION					
	DRAFT WHERE APPLICABLE MUST REMAIN WITHIN DIMENSIONS						