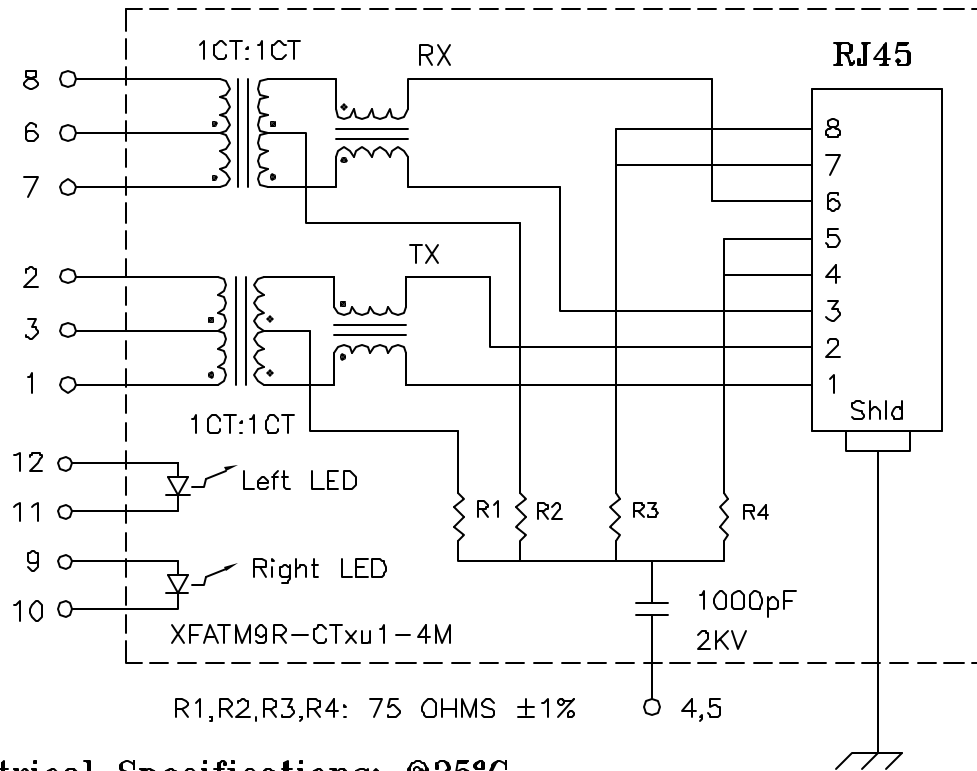


Schematic:



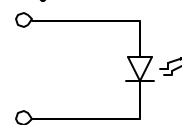
Electrical Specifications: @25°C

Isolation Voltage: 1500 Vrms (Input to Output)
 Isolation Voltage: 500 Vrms (P1+2+3 to P6+7+8)
 Turns Ratio: TX 1CT:1CT ±3% RX 1CT:1CT ±3%
 CABLE SIDE OCL: 350uH Minimum @100KHz 100mV 8mADC
 Q: 18 Min @100KHz 100mV
 Cw/w: 27pF Typical @100KHz 100mV
 Insertion Loss (300KHz-100MHz): -1.0dB Max
 Return Loss: @30MHz -18dB Min
 @80MHz -12dB Min
 Differential to Common Mode Rejection:
 -45dB Min @1-60MHz
 -35dB Typ @60-200MHz

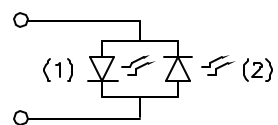
Complete the Combo P/N as follows:

Replace 'x' & 'u' in the part number with one of the LED color letters:
 Y=Yellow 'x' = Left LED Color
 G=Green 'u' = Right LED Color
 A=Amber
 R=Red
 C=Green(1)/Amber(2) Bicolor
 D=Amber(1)/Green(2) Bicolor
 M=Green(1)/Yellow(2) Bicolor
 N=Yellow(1)/Green(2) Bicolor
 P=Red(1)/Green(2) Bicolor
 Q=Green(1)/Red(2) Bicolor

Single Color LED:



Bi-Color LED:



Notes:

1. Solderability: Leads shall meet MIL-STD-202G, Method 208H for solderability.
2. Flammability: UL94V-0
3. ASTM oxygen index: > 28%
4. UL Recognized Component: File Number E165866
5. Operating Temperature Range: All listed parameters are to be within tolerance from -40°C to +85°C
6. Storage Temperature Range: -55°C to +125°C
7. Aqueous wash compatible
8. Electrical and mechanical specifications 100% tested
9. RoHS Compliant Component

DOC REV: A/9

PROPRIETARY:

Document is the property of XFMRS Group & is not allowed to be duplicated without authorization.

XFMRS Inc.
 www.XFMRS.com

UNLESS OTHERWISE SPECIFIED

TOLERANCES:
 .xxx ±0.010

Dimensions in Inch

SHEET 1 OF 2

Title:

SINGLE PORT TAB UP COMBO

P/N: XFATM9R-CTxu1-4M

REV. A

DWN.

Feng

Jul-07-11

CHK.

YK Liao

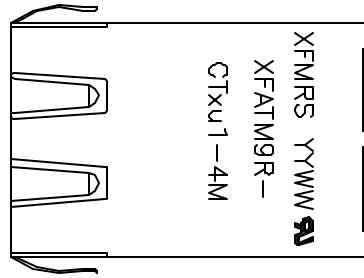
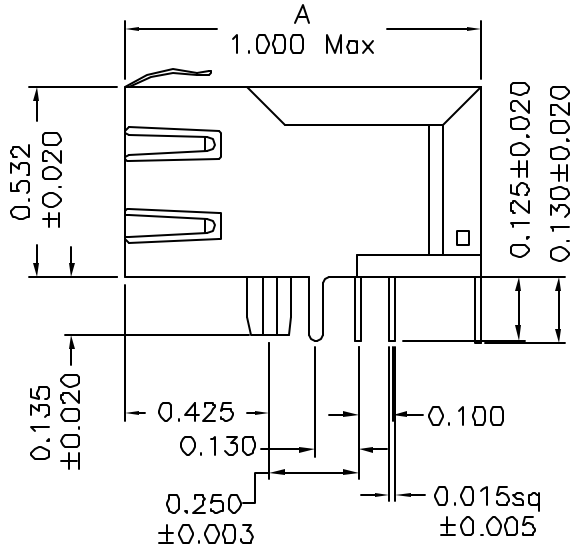
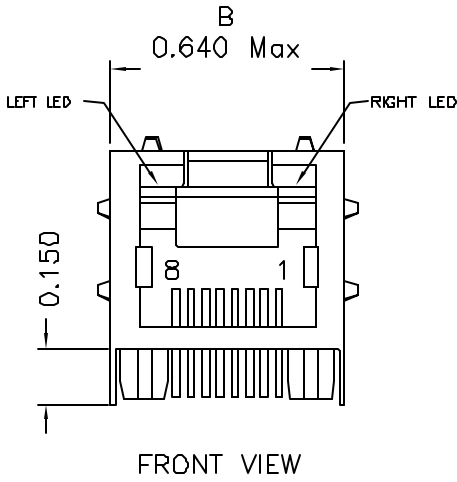
Jul-07-11

APP.

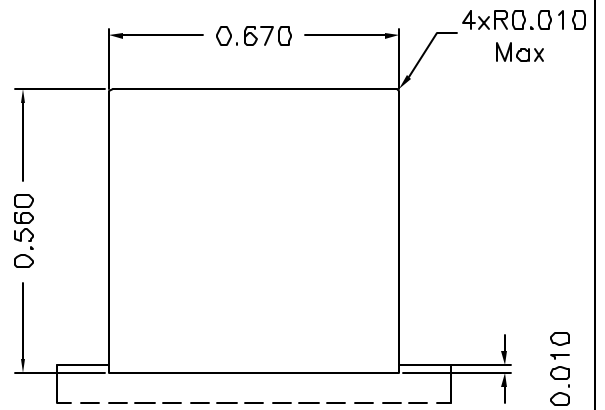
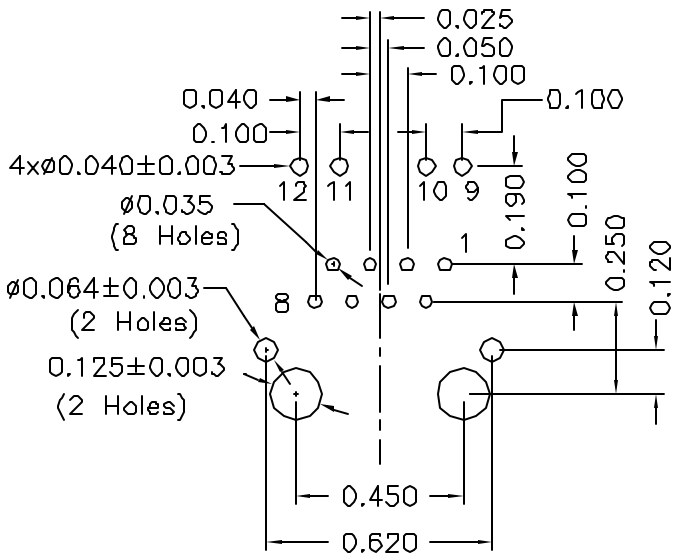
Joe Huff

Jul-07-11

Mechanical Dimensions:



Mounting Pattern:



**FACE VIEW
RECOMMENDED PANEL CUTOUT**

DOC REV: A/9

PROPRIETARY:

Document is the property of XFMRS Group & is not allowed to be duplicated without authorization.

XFMRS Inc. www.XFMRS.com UNLESS OTHERWISE SPECIFIED TOLERANCES: .xxx ±0.010 Dimensions in Inch	Title: Mechanical Dimensions For TAB UB RJ45 COMBO		
	P/N: XFATM9R-CTXu1-4M	REV. A	
	DWN.	Feng	Jul-07-11
	CHK.	YK Liao	Jul-07-11
SHEET 2 OF 2	APP.	Joe Huff	Jul-07-11