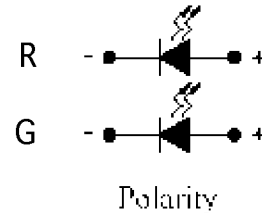
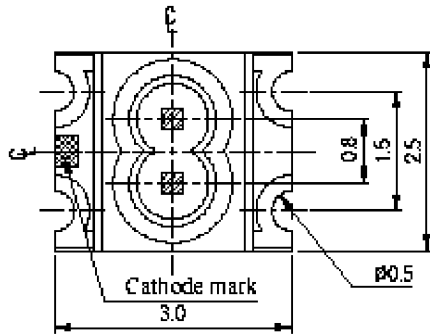


JDVGC0118

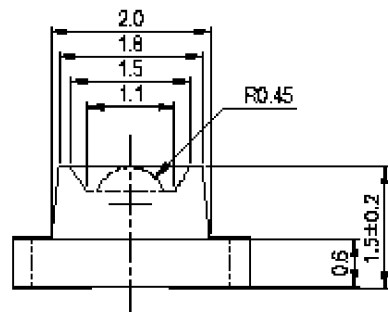
Page 1 of 2



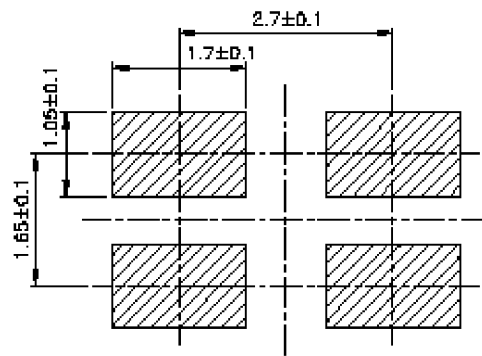
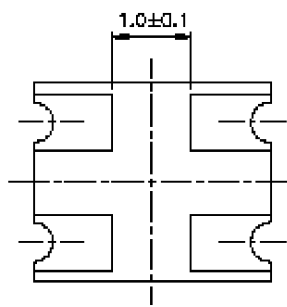
These lamps are miniature chip type designed for surface mounting and measure approximately 2.5 x 3 mm.



RoHS Compliant
Aug 2004



For reflow soldering (propose)



| PART NO. | Chip | | Lens Color |
|-----------|----------|----------------|-------------|
| | Material | Emitted Color | |
| JDVGC0118 | AlGaInP | Super Deep-Red | Water Clear |
| | GaP | Green | |

* Specifications subject to change without notice. Dimensions are in mm±0.1 unless stated otherwise.

Absolute Maximum Ratings at $T_a = 25\text{ }^\circ\text{C}$

| Parameter | Symbol | Rating | Units |
|--|--------------|---------------------|------------------|
| Forward Current | I_F | SDR 25 | mA |
| | | VG 30 | |
| Operating Temperature | T_{opr} | -40 to +85 | $^\circ\text{C}$ |
| Storage Temperature | T_{stg} | -40 to +90 | $^\circ\text{C}$ |
| Soldering Temperature | T_{sol} | 260 (for 5 seconds) | $^\circ\text{C}$ |
| Power Dissipation | P_d | SDR 60 | mW |
| | | VG 100 | |
| Peak Forward Current (Duty 1/10 @ 1KHz) | I_F (Peak) | SDR 60 | mA |
| | | VG 60 | |
| Reverse Voltage | V_R | 5 | V |

Electronic Optical Characteristics

| Parameter | Symbol | Min. | Typ. | Max. | Units | Condition |
|------------------------------|-----------------|--------|------|------|---------------|----------------------|
| Luminous Intensity | I_V | SDR 47 | 75 | — | mcd | $I_F = 20\text{ mA}$ |
| | | VG 14 | 21.1 | — | | |
| Viewing Angle | $2\theta_{1/2}$ | — | 60 | — | deg | $I_F = 20\text{ mA}$ |
| Peak Wavelength | λ_p | SDR — | 650 | — | nm | $I_F = 20\text{ mA}$ |
| | | VG — | 570 | — | | |
| Dominant Wavelength | λ_d | SDR — | 639 | — | nm | $I_F = 20\text{ mA}$ |
| | | VG — | 571 | — | | |
| Spectrum Radiation Bandwidth | $\Delta\lambda$ | SDR — | 20 | — | nm | $I_F = 20\text{ mA}$ |
| | | VG — | 30 | — | | |
| Forward Voltage | V_F | SDR — | 2.0 | 2.4 | V | $I_F = 20\text{ mA}$ |
| | | VG 1.7 | 2.1 | 2.4 | | |
| Reverse Current | I_R | — | — | 10 | μA | $V_R = 5\text{ V}$ |

* Specifications subject to change without notice. Dimensions are in mm±0.1 unless stated otherwise.