

**PLEASE CHECK WWW.MOLEX.COM FOR LATEST PART INFORMATION**

**Part Number:** [0472660111](#)

**Status:** **Active**

**Overview:** high definition multimedia interface hdmi

**Description:** 0.50mm (.020") Pitch HDMI\* Receptacle, Right Angle, Black, Through Hole Shell Tab Length 1.90mm (.075"), 0.25µm (10µ") Gold (Au) Plating, Matt Tin Plated Shell, with Flange, Tape on Reel, Lead Free

**Documents:**

[3D Model](#)

[Product Specification PS-47152-001 \(PDF\)](#)

[Drawing \(PDF\)](#)

[RoHS Certificate of Compliance \(PDF\)](#)

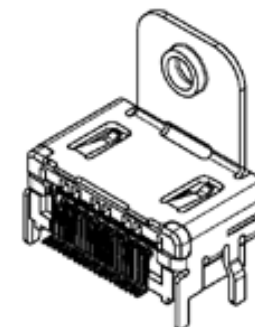
**General**

Product Family	I/O Connectors
Series	<a href="#">47266</a>
Application	Wire-to-Board
Comments	With Upper Flange
Component Type	Receptacle
Overview	<u>high definition multimedia interface hdmi</u>
Product Name	HDMI
Type	N/A

**Physical**

Boot Color	N/A
Circuits (Loaded)	19
Circuits (maximum)	19
Color - Resin	Black
Gender	Male
Keying to Mating Part	Yes
Lock to Mating Part	Yes
Material - Metal	Copper Alloy
Material - Plating Mating	Gold
Material - Plating Termination	Tin-Bismuth
Material - Resin	High Temperature Thermoplastic
Number of Rows	2
Orientation	Right Angle
PCB Locator	No
PCB Retention	Yes
Packaging Type	Embossed Tape on Reel
Panel Mount	Yes
Pitch - Mating Interface (in)	0.020 In
Pitch - Mating Interface (mm)	0.50 mm
Pitch - Term. Interface (in)	0.020 In
Pitch - Term. Interface (mm)	0.50 mm
Plating min: Mating (µin)	10
Plating min: Mating (µm)	0.25
Plating min: Termination (µin)	40
Plating min: Termination (µm)	1
Polarized to Mating Part	Yes
Polarized to PCB	Yes
Ports	1
Temperature Range - Operating	-20°C to +85°C
Termination Interface: Style	Surface Mount
Waterproof / Dustproof	No
Wire Size AWG	N/A

**Electrical**



*image - Reference only*

*Series*

**EU RoHS**

**ELV and RoHS  
Compliant**  
**REACH SVHC  
Not Reviewed**  
**Halogen-Free  
Status  
Not Reviewed**

**China RoHS**



**Need more information on product  
environmental compliance?**

Email [productcompliance@molex.com](mailto:productcompliance@molex.com)  
For a multiple part number RoHS Certificate of  
Compliance, [click here](#)

Please visit the [Contact Us](#) section for any  
non-product compliance questions.

**Search Parts in this Series**

[47266Series](#)

**Mates With**

[88768](#) HDMI cable assembly, [88764](#) HDMI  
Adapter, [88767](#) HDMI Adapter

Current - Maximum per Contact	0.5A
Shield Type	Full Shield
Shielded	Yes
Voltage - Maximum	40V DC

### **Material Info**

### **Reference - Drawing Numbers**

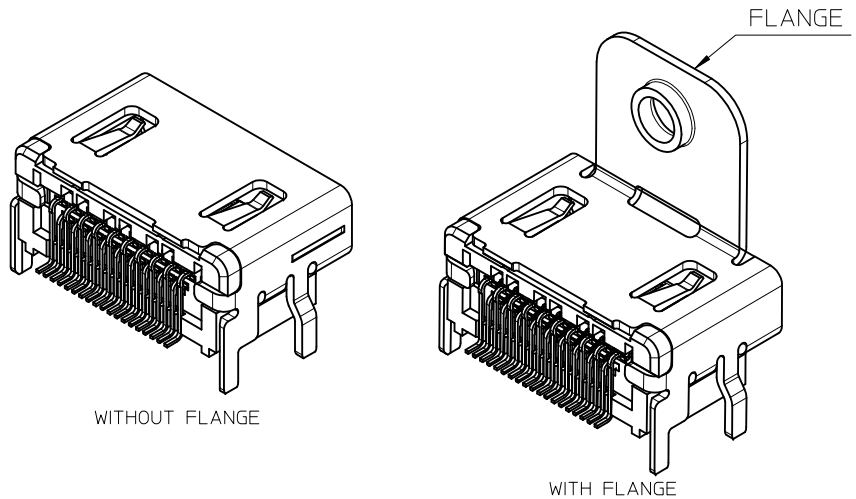
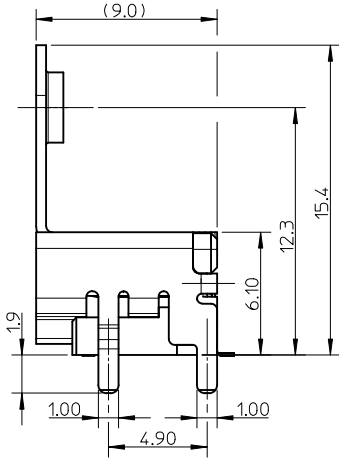
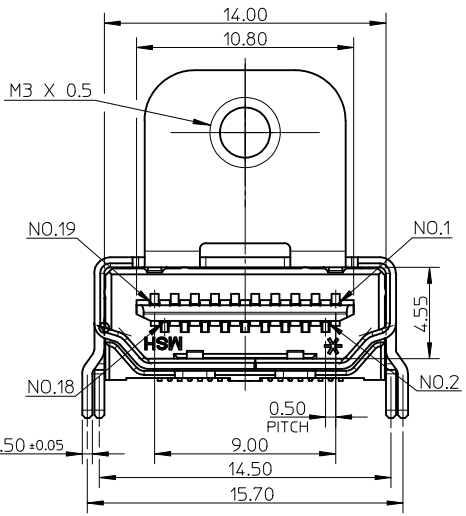
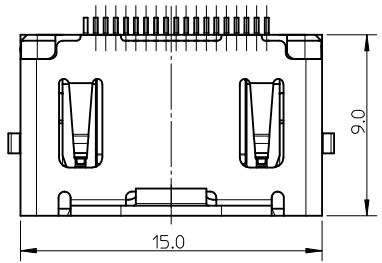
Packaging Specification	PK-47266-003
Product Specification	PS-47152-001
Sales Drawing	SD-47266-001

\* High Definition Multimedia Interface and HDMI are trademarks of HDMI Licensing, LLC.

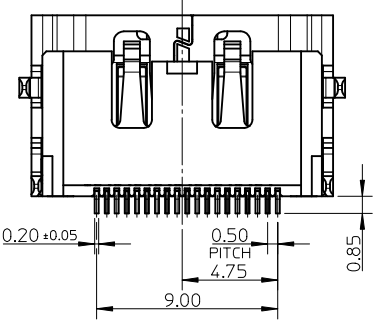
This document was generated on 05/19/2010

**PLEASE CHECK [WWW.MOLEX.COM](http://WWW.MOLEX.COM) FOR LATEST PART INFORMATION**

10 9 8 7 6 5 4 3 2 1



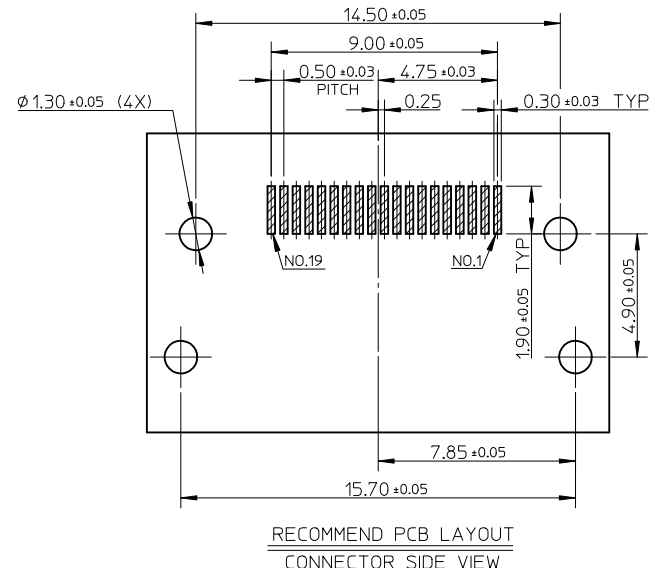
- NOTES:
- MATERIAL:  
HOUSING: HIGH TEMPERATURE THERMAL PLASTIC. COLOR: SEE TABLE.  
SHELL: COPPER ALLOY.  
TERMINAL: COPPER ALLOY.
  - PLATING:  
TERMINAL:  
CONTACT AREA: (1) 0.76 MICROMETER MIN. GOLD PLATING.  
(2) 0.25 MICROMETER MIN. GOLD PLATING.  
(3) GOLD FLASH.  
SOLDER AREA: 1 MICROMETER MIN. TIN-BISMUTH ALLOY PLATING.  
UNDER PLATE: 1.27 MICROMETER MIN. NICKEL PLATING.  
SHELL: (1) 1.27 MICROMETER MIN. MATTE TIN PLATING OVERALL.  
(2) 0.75 MICROMETER MIN. SOLDERABLE NICKEL PLATING OVERALL.
  - TERMINAL RETENTION FORCE TO BE 0.3kgf Min.
  - PRODUCT SPECIFICATION: PS-47152-001.
  - PACKAGE SPECIFICATION: SEE TABLE.
  - COPLANARITY OF ALL TERMINALS IS 0.10mm MAX.
  - PRODUCT COMPLIANT TO RoHS DIRECTIVE 2002/95/EC AND ELV DIRECTIVE 2000/53/EC.



REVISED EC NO: SH2010-0165 DRWN: XZHZHANG 2009/11/03 CHKD: GLLI 2009/11/03 APPR: XJSONG 2010/01/28	QUALITY SYMBOLS	GENERAL TOLERANCES (UNLESS SPECIFIED)		DIMENSION STYLE	SCALE	DESIGN UNITS	THIRD ANGLE PROJECTION
	$\nabla = 0$	mm	INCH	MM ONLY	4:1	METRIC	
	$\nabla = 0$	4 PLACES ± --- ± ---	3 PLACES ± --- ± ---	DRAWN BY ROST ZHANG	DATE 2005/05/20	TITLE	
	$\nabla = 0$	2 PLACES ± 0.20 ± ---	1 PLACE ± 0.30 ± ---	CHECKED BY GRATE MA	DATE 2005/05/20	HDMI RECEPTACLE W/SCREW R/A SMT CUSTOMER DRAWING	
	ANGULAR ± 2 °	DRAFT WHERE APPLICABLE MUST REMAIN WITHIN DIMENSIONS		APPROVED BY XJSONG	DATE 2010/01/26	MOLEX MOLEX INCORPORATED	
REV				MATERIAL NO.	DOCUMENT NO.	SHEET NO.	
				SEE SHEET 2		SD-47266-001	
				SIZE A3	THIS DRAWING CONTAINS INFORMATION THAT IS PROPRIETARY TO MOLEX INCORPORATED AND SHOULD NOT BE USED WITHOUT WRITTEN PERMISSION		

9 8 7 6 5 4 3 2 1

P/N	HOUSING COLOR	CONTACT AREA PLATING	SHELL PLATING	REMARK	PACKAGE SPECIFICATION
47266-7211	NATURE	SEE NOTE 2(3)	SOLDERABLE NICKEL	WITHOUT FLANGE	TAPE & REEL, PK-47266-001
47266-7111		SEE NOTE 2(2)			
47266-7011		SEE NOTE 2(1)			
47266-6201	BLACK	SEE NOTE 2(3)	SOLDERABLE NICKEL	WITHOUT FLANGE	TAPE & REEL, PK-47266-001
47266-6101		SEE NOTE 2(2)			
47266-6001		SEE NOTE 2(1)			
47266-5211	NATURE	SEE NOTE 2(3)	SOLDERABLE NICKEL	WITH FLANGE	TAPE & REEL, PK-47266-003
47266-5111		SEE NOTE 2(2)			
47266-5011		SEE NOTE 2(1)			
47266-4211	BLACK	SEE NOTE 2(3)	SOLDERABLE NICKEL	WITH FLANGE	TAPE & REEL, PK-47266-003
47266-4111		SEE NOTE 2(2)			
47266-4011		SEE NOTE 2(1)			
47266-5201	NATURE	SEE NOTE 2(3)	SOLDERABLE NICKEL	WITH FLANGE	TRAY, PK-47266-002
47266-5101		SEE NOTE 2(2)			
47266-5001		SEE NOTE 2(1)			
47266-4201	BLACK	SEE NOTE 2(3)	SOLDERABLE NICKEL	WITH FLANGE	TRAY, PK-47266-002
47266-4101		SEE NOTE 2(2)			
47266-4001		SEE NOTE 2(1)			
47266-3201	NATURE	SEE NOTE 2(3)	MATTE TIN	WITHOUT FLANGE	TAPE & REEL, PK-47266-001
47266-3101		SEE NOTE 2(2)			
47266-3001		SEE NOTE 2(1)			
47266-2201	BLACK	SEE NOTE 2(3)	MATTE TIN	WITHOUT FLANGE	TAPE & REEL, PK-47266-001
47266-2101		SEE NOTE 2(2)			
47266-2001		SEE NOTE 2(1)			
47266-1211	NATURE	SEE NOTE 2(3)	MATTE TIN	WITH FLANGE	TAPE & REEL, PK-47266-003
47266-1111		SEE NOTE 2(2)			
47266-1011		SEE NOTE 2(1)			
47266-0211	BLACK	SEE NOTE 2(3)	MATTE TIN	WITH FLANGE	TAPE & REEL, PK-47266-003
47266-0111		SEE NOTE 2(2)			
47266-0011		SEE NOTE 2(1)			
47266-1201	NATURE	SEE NOTE 2(3)	MATTE TIN	WITH FLANGE	TRAY, PK-47266-005
47266-1101		SEE NOTE 2(2)			TRAY, PK-47266-002
47266-1001		SEE NOTE 2(1)			
47266-0201	BLACK	SEE NOTE 2(3)	MATTE TIN	WITH FLANGE	TRAY, PK-47266-005
47266-0101		SEE NOTE 2(2)			TRAY, PK-47266-002
47266-0001		SEE NOTE 2(1)			



SEE SHEET 1 EC NO: SH2010-0165 DRWN: XZ ZHANG CHKD: GLLI APPR: XJ SONG	QUALITY SYMBOLS ▽ <sub>A</sub> =0 ▽ <sub>B</sub> =0 ▽ <sub>C</sub> =0	GENERAL TOLERANCES (UNLESS SPECIFIED)		DIMENSION STYLE MM ONLY		SCALE 4:1	DESIGN UNITS METRIC	THIRD ANGLE PROJECTION	
			mm	INCH	DRAWN BY ROST ZHANG	DATE 2005/05/20	TITLE HDMI RECEPTACLE W/SCREW R/A SMT CUSTOMER DRAWING		
		4 PLACES	± ---	± ---	CHECKED BY GRATE MA	DATE 2005/05/20	MOLEX INCORPORATED		
		3 PLACES	± ---	± ---	APPROVED BY XJ SONG	DATE 2010/01/26	DOCUMENT NO. SD-47266-001	SHEET NO. 2 OF 2	
			2 PLACES	± 0.20	± ---	THIS DRAWING CONTAINS INFORMATION THAT IS PROPRIETARY TO MOLEX INCORPORATED AND SHOULD NOT BE USED WITHOUT WRITTEN PERMISSION			
			1 PLACE	± 0.30	± ---				
			ANGULAR ± 2 °						
			DRAFT WHERE APPLICABLE MUST REMAIN WITHIN DIMENSIONS						