

PLEASE CHECK WWW.MOLEX.COM FOR LATEST PART INFORMATION

Part Number: [0758610504](#)
Status: **Active**
Overview: [gbx_backplane_connector_system](#)
Description: 1.85mm by 1.85mm (.073" by .073") Pitch 2-Pair GbX® Backplane L-Series Connector System, Open Header, 25 Circuits, Gold (Au) 0.76µm (30µ"), Pin Length 4.55mm (.179")

Documents:

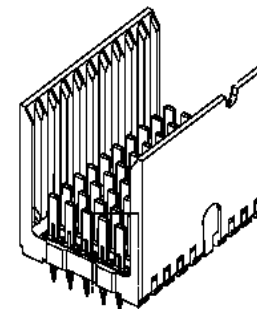
[Drawing \(PDF\)](#) [RoHS Certificate of Compliance \(PDF\)](#)
[Product Specification PS-75221-999 \(PDF\)](#)

General

Product Family	Backplane Connectors
Series	75861
Application	Backplane
Application Tooling Documents	Tooling Manual
Comments	Open Header
Component Type	PCB Header
Overview	gbx_backplane_connector_system
Product Name	GbX®
Style	N/A

Physical

Circuits (Loaded)	25
Circuits (maximum)	25
Color - Resin	Gray (Dark)
Durability (mating cycles max)	200
First Mate / Last Break	No
Guide to Mating Part	No
Keying to Mating Part	None
Material - Metal	High Performance Alloy (HPA)
Material - Plating Mating	Gold
Material - Plating Termination	Tin-Lead
Material - Resin	High Temperature Thermoplastic
Number of Columns	5
Number of Pairs	2
Number of Rows	5
Orientation	Vertical
PC Tail Length (in)	0.087 In
PC Tail Length (mm)	2.20 mm
PCB Locator	No
PCB Retention	Yes
PCB Thickness Recommended (in)	0.063 In
PCB Thickness Recommended (mm)	1.60 mm
Packaging Type	Tube
Pitch - Mating Interface (in)	0.073 In
Pitch - Mating Interface (mm)	1.85 mm
Pitch - Term. Interface (in)	0.073 In
Pitch - Term. Interface (mm)	1.85 mm
Plating min: Mating (µin)	30
Plating min: Mating (µm)	0.76
Plating min: Termination (µin)	30
Plating min: Termination (µm)	0.76
Polarized to PCB	No
Stackable	No



*Series
image - Reference only*

EU RoHS

RoHS Compliant by Exemption
REACH SVHC
Contains SVHC: No
Halogen-Free
Status
Not Reviewed

China RoHS



Need more information on product environmental compliance?

Email productcompliance@molex.com
For a multiple part number RoHS Certificate of Compliance, [click here](#)

Please visit the [Contact Us](#) section for any non-product compliance questions.

Search Parts in this Series

[75861Series](#)

Mates With

[75676 Gbx Hybrid Daughtercard](#). [75671 GbX® L-Series Daughtercard](#)

Surface Mount Compatible (SMC)	Yes
Temperature Range - Operating	105°C
Termination Interface: Style	Through Hole - Compliant Pin

Electrical

Current - Maximum per Contact	1A
Data Rate	8.0 Gbps
Real Signals (per 25mm)	67
Shielded	No
Voltage - Maximum	120V AC (RMS)/DC

Material Info

Reference - Drawing Numbers

Packaging Specification	PK-70873-5058
Product Specification	PS-75221-999
Sales Drawing	SD-75861-010

GbX is a registered trademark of Amphenol Corporation.

This document was generated on 05/14/2010

PLEASE CHECK WWW.MOLEX.COM FOR LATEST PART INFORMATION

13 12 11 10 9 8 7 6 5 4 3 2 1

CONFIGURATION			
ASSEMBLY NO.	K	N	(L)
75861-050*	4	7.40	9.10
75861-010*	9	16.65	18.35
75861-020*	24	44.40	46.10

75861-0x0*

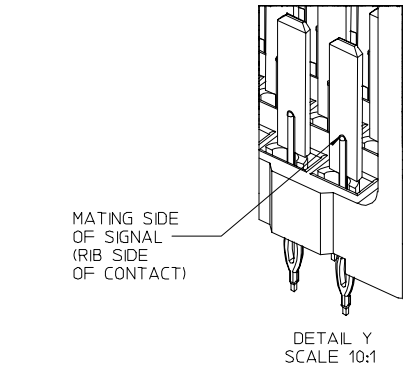
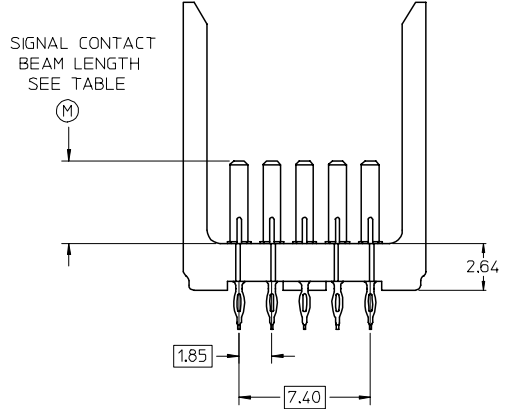
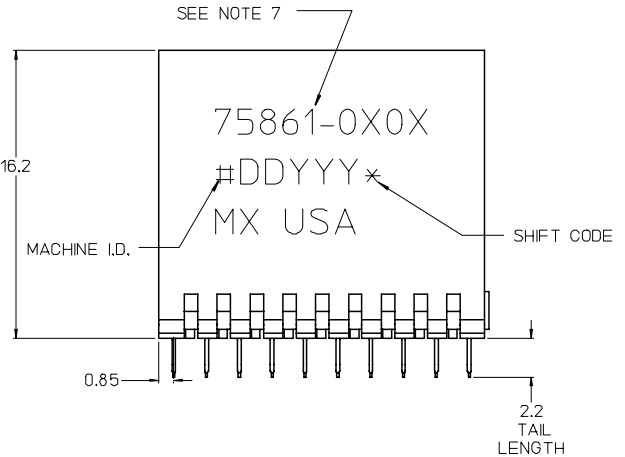
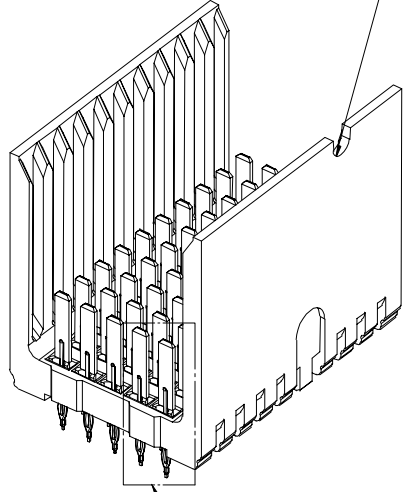
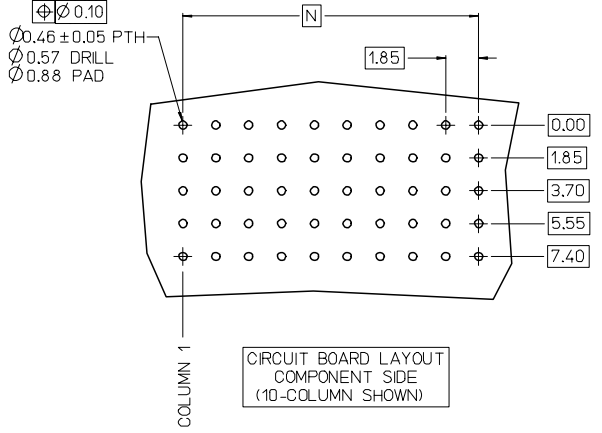
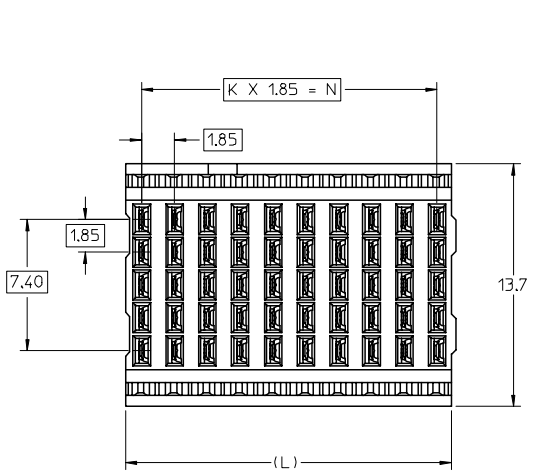
COLUMN

05 = 5
01 = 10
02 = 25

SIGNAL LENGTH
DIMENSION "M"

3 = 3.55mm (30 μ Au)
4 = 4.55mm (30 μ Au)
5 = 5.55mm (30 μ Au)
7 = 3.55mm (50 μ Au)
8 = 4.55mm (50 μ Au)
9 = 5.55mm (50 μ Au)

NOTCH DESIGNATES APPROX. POSITION OF A1. ARCH & NOTCH ON OPPOSITE SIDE OF PART MARKING



- NOTES:
1. MATERIAL: HOUSING - LIQUID CRYSTAL POLYMER (LCP), GLASS-FILLED, UL 94V-0, GRAY. SIGNAL CONTACTS - HIGH PERFORMANCE COPPER ALLOY.
 2. FINISHES: SELECTIVE GOLD (Au) ON CONTACT AREA, SELECTIVE TIN/LEAD (Sn/Pb) ON TAIL AREA, NICKEL (Ni) OVERALL.
 3. 10-COLUMN ASSEMBLY SHOWN AS REFERENCE. SEE TABLE AND CHART FOR OTHER OPTIONS.
 4. PARTS PACKAGED PER PK-70873-5058.
 5. THIS PART CONFORMS TO MOLEX PRODUCT SPECIFICATION PS-75221-999.
 6. FOR MIXED CONTACT MATING LENGTHS CONSULT MOLEX.
 7. EITHER MARK PART NUMBER AND DATE CODE APPROXIMATELY WHERE SHOWN OR PLACE A LABEL ON THE TUBE.
 8. MINIMUM CIRCUIT BOARD THICKNESS: 1.6
 9. THESE PARTS CONFORM TO MOLEX COSMETIC SPECIFICATION PS-45499-002 CLASS B.

REVISED (MINOR) FC NO: UCP2008-0890 DRAWN: JB INGHAM 2007/11/15 CHKD: 2007/11/16 APPR: JL AJRX 2007/11/16	QUALITY SYMBOLS =0 =0	GENERAL TOLERANCES (UNLESS SPECIFIED)		DIMENSION STYLE MM ONLY		SCALE 5:1	DESIGN UNITS METRIC	THIRD ANGLE PROJECTION
		mm	INCH	DRAWN BY JB INGHAM	DATE 2006/02/03	TITLE GBX 2-PAIR L-SERIES OPEN END BACKPLANE SALES ASSEMBLY DRAWING		
B1	DESCRIPTION	4 PLACES ± --- ± ---	3 PLACES ± --- ± ---	2 PLACES ± 0.13 ± ---	1 PLACE ± 0.25 ± ---	APPROVED BY SREED	DATE 2006/02/03	MATERIAL NO.
		ANGULAR ± --- °		DRAFT WHERE APPLICABLE MUST REMAIN WITHIN DIMENSIONS		SEE CHART		DOCUMENT NO. SD-75861-010
MATERIAL NO.		SHEET NO. 1 OF 1		THIS DRAWING CONTAINS INFORMATION THAT IS PROPRIETARY TO MOLEX INCORPORATED AND SHOULD NOT BE USED WITHOUT WRITTEN PERMISSION				

12 11 10 9 8 7 6 5 4 3 2 1