

4

3

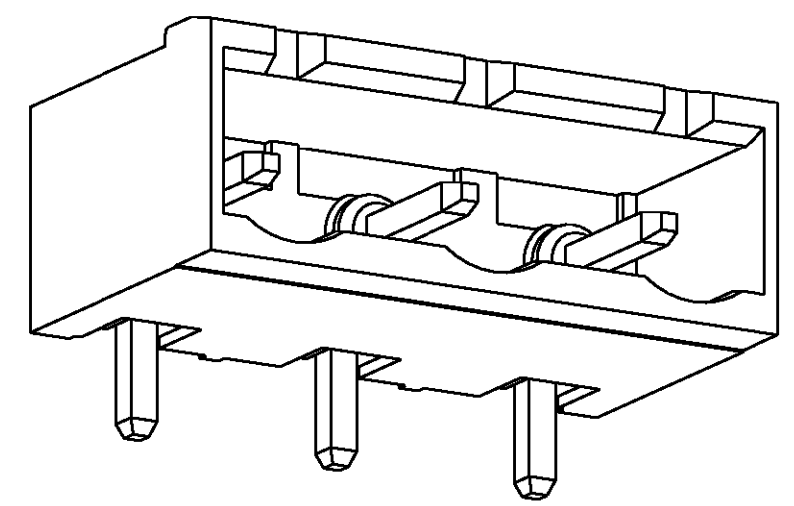
2

1

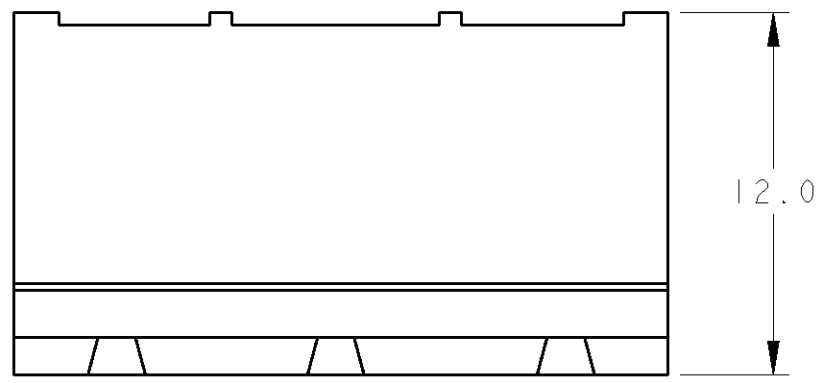
THIS DRAWING IS UNPUBLISHED. RELEASED FOR PUBLICATION 20
© COPYRIGHT 20 BY TYCO ELECTRONICS CORPORATION. ALL RIGHTS RESERVED.

LOC FT DIST 0

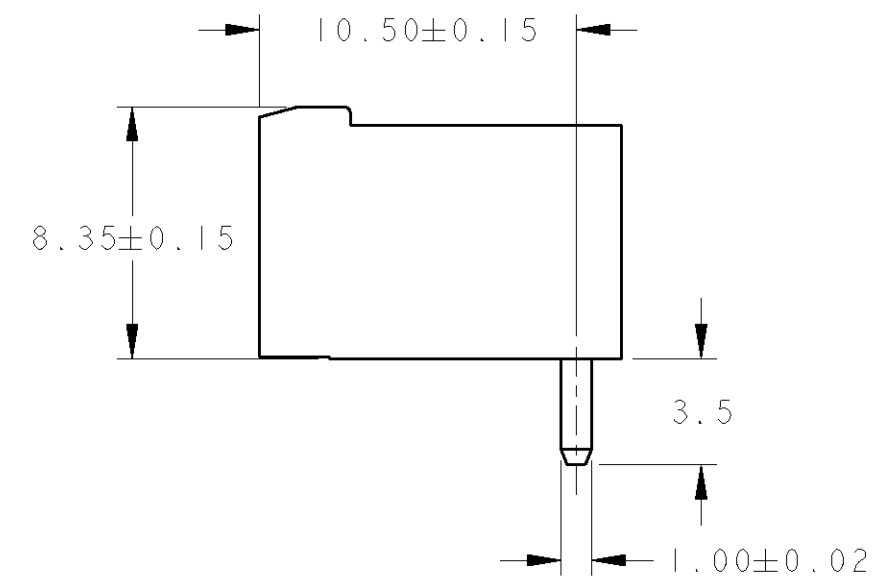
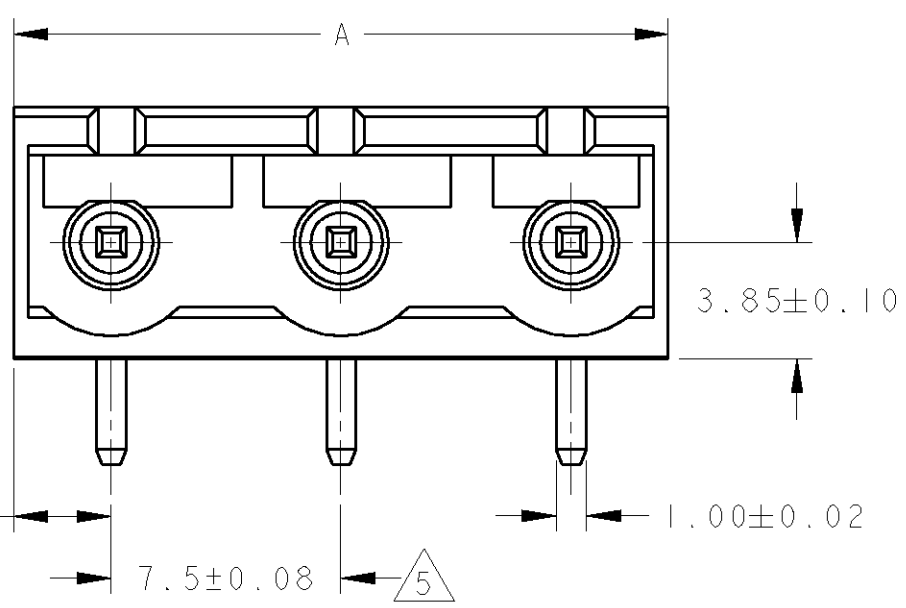
REVISIONS					
P	LTR	DESCRIPTION	DATE	DWN	APVD
	C	REVISED PER 0G3B-0119-01	14DEC2001	EZ	DB



282962-3 AS SHOWN

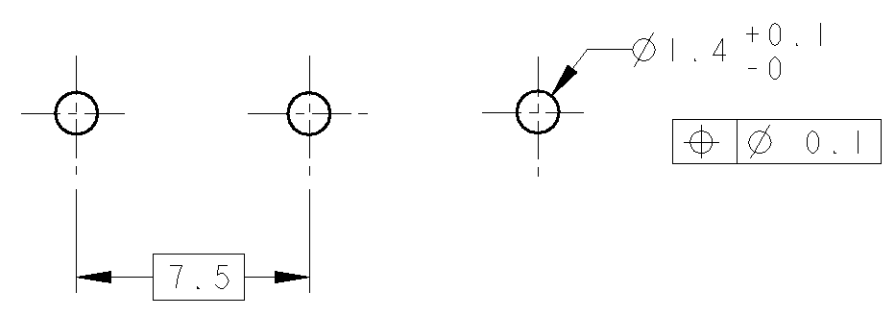


- 1 MATERIALS AND FINISH
HOUSING: PA 6-6, UL 94-V0, COLOR GREEN.
TERMINAL: PHOSPHOR BRONZE, TIN PLATED.
- 2 SUITABLE FOR 1,6-2,4mm PC BOARD THICKNESS.
- 3 RECOGNIZED UNDER THE COMPONENT PROGRAM OF UNDERWRITERS LABORATORIES INC. FILE N° E60677.
- 4 IMQ CERTIFICATE WITH SURVEILLANCE IN CONFORMITY WITH IEC 998-1/998-2-1.
- 5 NOT CUMULATIVE TOLERANCE



89.20	12	1-282962-2
81.70	11	1-282962-1
74.20	10	1-282962-0
66.70	9	282962-9
59.20	8	282962-8
51.70	7	282962-7
44.20	6	282962-6
36.70	5	282962-5
29.20	4	282962-4
21.70	3	282962-3
14.20	2	282962-2
DIM. A	N° OF POS.	PART NUMBER

RECOMMENDED PC BOARD LAYOUT



<small>THIS DRAWING IS A CONTROLLED DOCUMENT FOR TYCO ELECTRONICS CORPORATION IT IS SUBJECT TO CHANGE AND THE CONTROLLING ENGINEERING ORGANIZATION SHOULD BE CONTACTED FOR THE LATEST REVISION.</small>		DWN E. ZANOLINI 14DEC2001 CHK D. BIEVENOUR 14DEC2001 APVD D. BIEVENOUR 14DEC2001		BUCHANAN Tyco Electronics Harrisburg, PA 17105-3608	
DIMENSIONS: mm 		TOLERANCES UNLESS OTHERWISE SPECIFIED: 0 PLC ±.3 1 PLC ±.3 2 PLC ±.25 3 PLC ±. 4 PLC ±. ANGLES ±2		NAME: TERMINAL BLOCK, HEADER ASSEMBLY 90° CLOSED ENDS 7.5mm PITCH	
MATERIAL:		FINISH:		PRODUCT SPEC: 108-20166 APPLICATION SPEC: 114-20079 WEIGHT: -	
CUSTOMER DRAWING				SIZE: A3 CAGE CODE: 00779 DRAWING NO: C=282962 RESTRICTED TO: -	
				SCALE: 4:1 SHEET 1 OF 1 REV C	