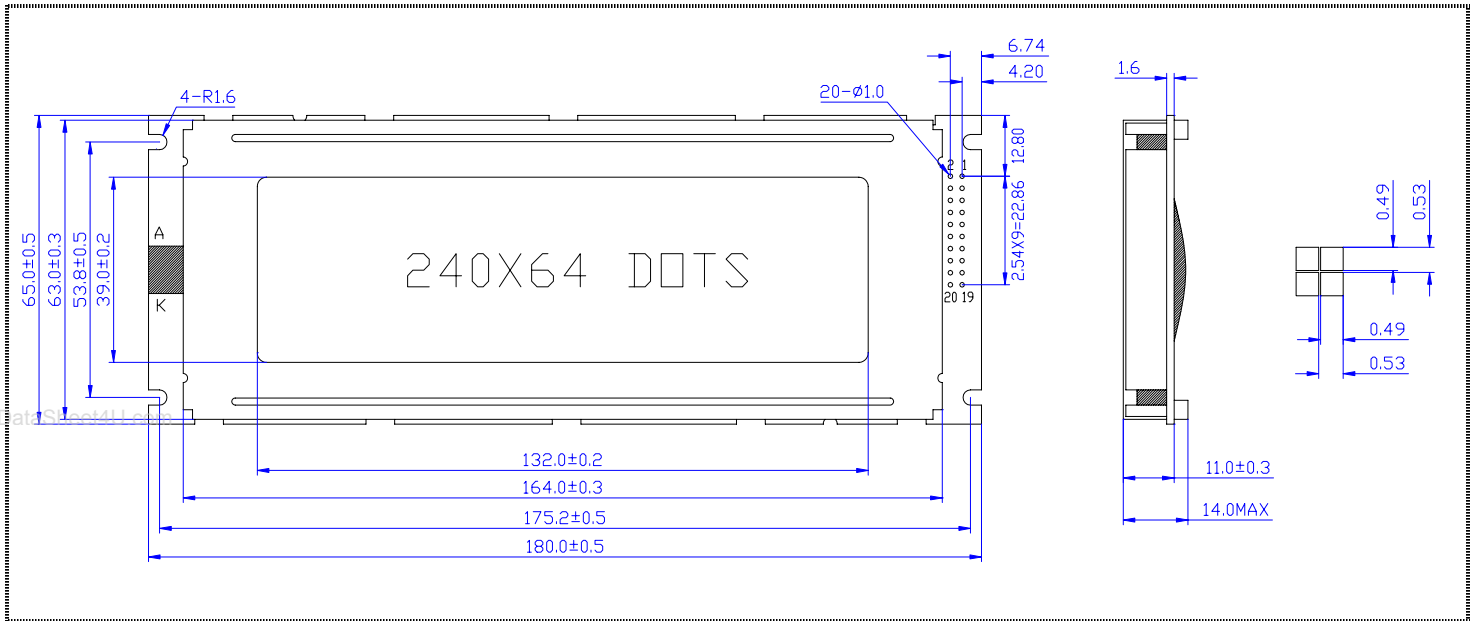


RT24064-1A

SHENZHEN RUIITE ELECTRONIC CO., LTD
 Address: 深圳市宝安区79区西乡流塘107国道1-3栋8楼
 Tel:86-755-27931867, 27931884, 27931806, 27931875
 FAX:86-755-27931864 Postcode:518102
 E-Mail:ruiite168@21cn.com Http://www.ruitelcd.com



MECHANICAL DATA

Item	Nominal Dimensions	Unit
Module Size(W×H×T)	180.0 × 65.0 × 14.0	mm
Viewing Area(W×H)	132.0 × 39.0	mm
Dot Pitch(W×H)	0.53 × 0.53	mm
Dot Size(W×H)	0.49 × 0.49	mm

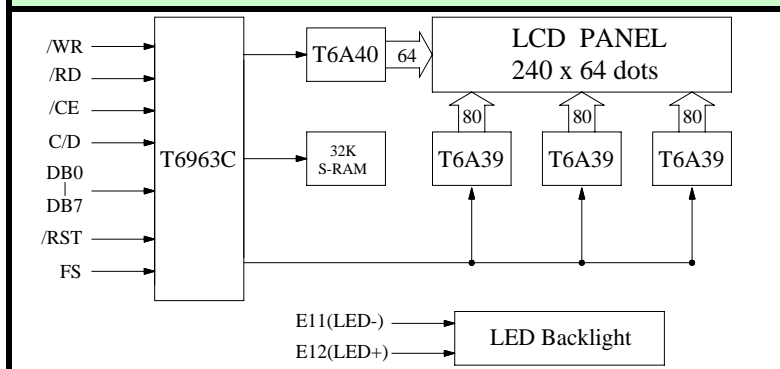
ABSOLUTE MAXIMUM RATINGS

Item	Symbol	Min	Type	Max	Unit
Operating Voltage	VDD	4.5	5.0	5.5	V
Operating Current	IDD	73	88	100	mA
LED Voltage	V _{LED}	4.0	4.1	4.2	V
LED Current	I _{LED}	390	540	720	mA
Operating Temp.	T _{opr}	-10	—	+55	
Storage Temp.	T _{sto}	-20	—	+65	

ELECTRICAL CHARACTERISTICS

Item	Symbol	Min	Type	Max	Unit
Input High Voltage	V _{IH}	VDD-2.2	—	VDD	V
Input Low Voltage	V _{IL}	0	—	0.8	V
Output High Voltage	V _{OH}	VDD-0.3	—	VDD	V
Output Low Voltage	V _{OL}	0	—	0.3	V

BLOCK DIAGRAM



PIN CONNECTIONS

PIN	Symbol	Level	Function
1	FG	—	Frame Ground
2	VSS	—	GND(0V)
3	VDD	—	Supply Voltage for Logic(+5V)
4	V0	—	Power Supply for LCD
5	/WR	L	Command and data write signal
6	/RD	L	Data and status read signal
7	/CE	L	Chip enable signal
8	C/D	H/L	H:Command; L:Data
9	NC	—	NO Connect
10	/RESET	L	Reset Signal (Active LOW)
11	D0	H/L	Data Bus Line
12	D1	H/L	
13	D2	H/L	
14	D3	H/L	
15	D4	H/L	
16	D5	H/L	
17	D6	H/L	
18	D7	H/L	
19	FS	H/L	Selection of font. H: 6×8; L: 8×8
20	VOUT	—	Negative Voltage to LCD

POWER SUPPLY

