

PLEASE CHECK WWW.MOLEX.COM FOR LATEST PART INFORMATION

Part Number: [0879590007](#)
Status: **Active**
Description: 1.27mm (.050") Pitch SAS Multi-Lane Plug, Vertical, Through Hole, with Beveled Metal Pins and Plastic Locating Pegs, 32 Circuits, 3.75mm (.148") Tail Length, Lead-free

Documents:

[3D Model](#) [Product Specification PS-87959-028 \(PDF\)](#)
[Drawing \(PDF\)](#) [RoHS Certificate of Compliance \(PDF\)](#)

Agency Certification

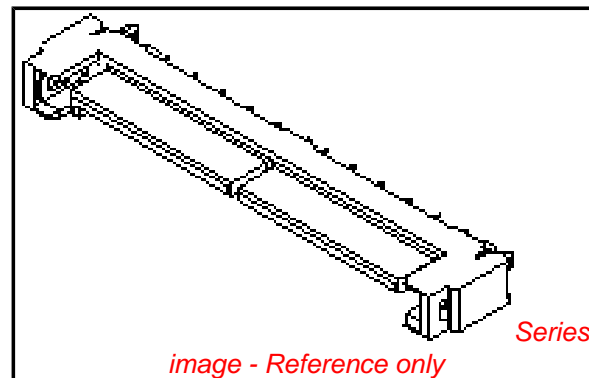
CSA LR 19980
 UL E29179

General

Product Family I/O Connectors
 Series [87959](#)
 Application Wire-to-Board
 Component Type Plug
 Product Name SAS
 Type N/A

Physical

Boot Color N/A
 Circuits (Loaded) 32
 Circuits (maximum) 32
 Durability (mating cycles max) 50
 Flammability 94V-0
 Gender Plug
 Lock to Mating Part None
 Material - Metal Phosphor Bronze
 Material - Plating Mating Gold
 Material - Plating Termination Tin
 Number of Rows 1
 Orientation Vertical
 PC Tail Length (in) 0.148 In
 PC Tail Length (mm) 3.75 mm
 PCB Locator Yes
 PCB Retention Yes
 PCB Thickness Recommended (in) 0.102 In
 PCB Thickness Recommended (mm) 2.67 mm
 Packaging Type Tray
 Panel Mount Yes
 Pitch - Mating Interface (in) 0.042 In, 0.064 In, 0.100 In
 Pitch - Mating Interface (mm) 1.08 mm, 1.65 mm, 2.54 mm
 Pitch - Term. Interface (in) 0.042 In, 0.064 In, 0.100 In
 Pitch - Term. Interface (mm) 1.08 mm, 1.65 mm, 2.54 mm
 Plating min: Mating (µin) 30
 Plating min: Mating (µm) 0.76
 Plating min: Termination (µin) 101.6
 Plating min: Termination (µm) 2.54
 Polarized to Mating Part Yes
 Polarized to PCB Yes
 Ports 1
 Surface Mount Compatible (SMC) Yes
 Temperature Range - Operating 0°C to +55°C
 Termination Interface: Style Through Hole



EU RoHS

ELV and RoHS Compliant
REACH SVHC Contains SVHC: No
Halogen-Free Status
Halogen-Free

China RoHS



Need more information on product environmental compliance?

Email productcompliance@molex.com
 For a multiple part number RoHS Certificate of Compliance, [click here](#)

Please visit the [Contact Us](#) section for any non-product compliance questions.

Search Parts in this Series

[87959Series](#)

Mates With

SFF-8484 HBA to Backplane Multi-Lane Internal Connectors and Cable

Waterproof / Dustproof No

Electrical

Current - Maximum per Contact 1.5A

Shielded No

Voltage - Maximum 30V

Solder Process Data

Duration at Max. Process Temperature (seconds) 10

Lead-free Process Capability SMC & Wave Capable (TH only)

Max. Cycles at Max. Process Temperature 1

Process Temperature max. C 265

Material Info

Reference - Drawing Numbers

Product Specification PS-87959-028, RPS-87959-001

Sales Drawing SD-87959-001

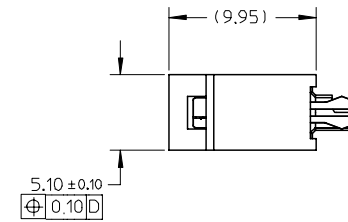
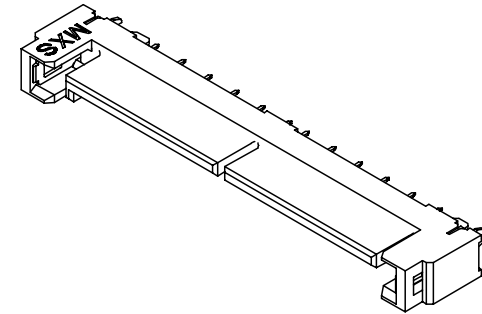
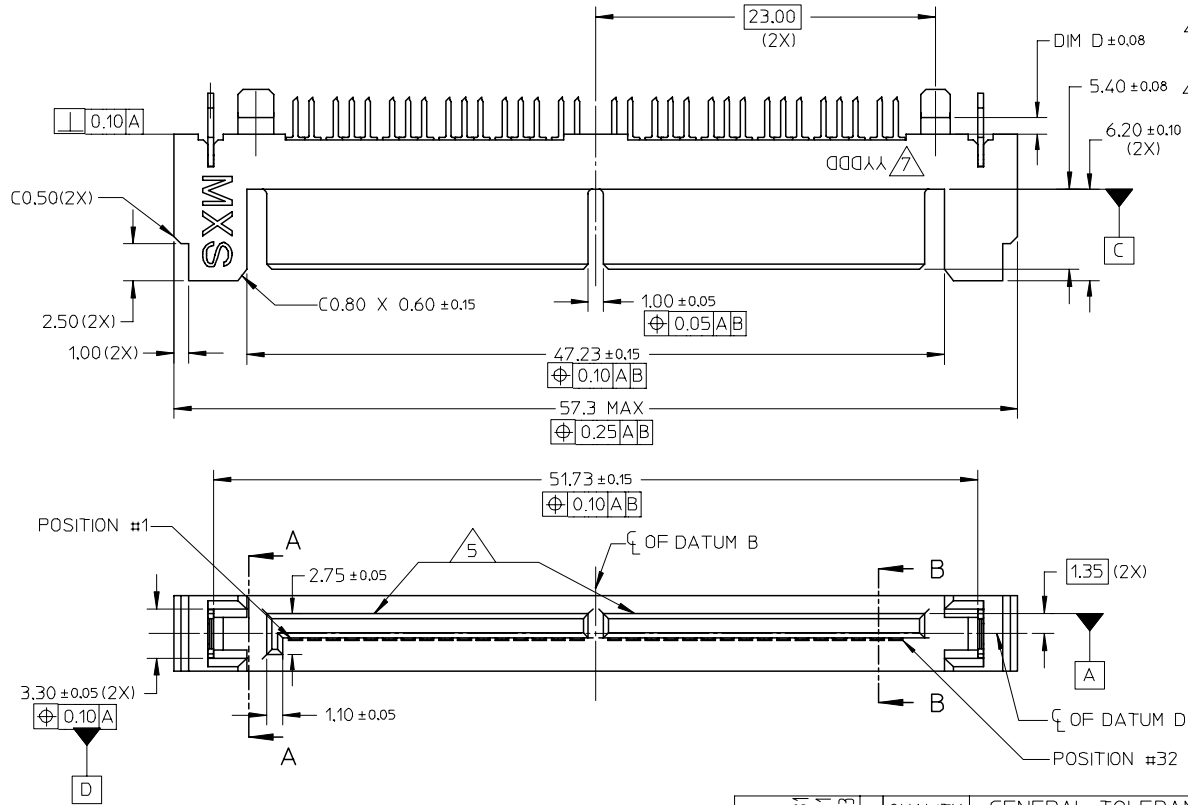
This document was generated on 04/02/2010

PLEASE CHECK WWW.MOLEX.COM FOR LATEST PART INFORMATION

PART NO	RECOMMENDED PCB THICKNESS (MM)	TAIL LENGTH DIM A	FORK LOCK LENGTH DIM B	HOUSING PEG DIM C	HOUSING PEG STEP DIM D
87959-0001	1.60	2.50	2.75	3.00	1.10
87959-0006	2.36	3.50	3.50	4.00	1.57
87959-0007	2.67	3.75	3.82	4.55	1.88

NOTES:

- MATERIAL: LIQUID CRYSTALLINE POLYMER(LCP), GLASS FILLED, UL 94V-0, COLOR: BLACK
TERMINAL: COPPER ALLOY
- PLATING:
CONTACT: 0.76µm MIN. GOLD OVER 1.27µm MIN. NICKEL UNDERPLATE.
SOLDER TAIL: 2.54µm MIN. TIN(MATT) OVER 1.27µm MIN. NICKEL UNDERPLATE.
- MAXIMUM WARPAGE OF 0.15 mm OVER THE LENGTH OF THE CONNECTOR IN ANY DIRECTION BEFORE AND AFTER EXPOSURE TO MAX. 260°C FOR 10 SECONDS.
- PRODUCT CONFIRMS TO SFF-8484 SPECIFICATION FOOTPRINT.
- DATUM A IS DEFINE AS THE TOP PORTION OF THE NOTED BLADE SURFACE.
- PACKAGING: TRAY
- DATE CODE TO BE LOCATED APPROXIMATELY AS SHOWN.
- PRODUCT SPECIFICATION PS-87959-028 APPLIES.

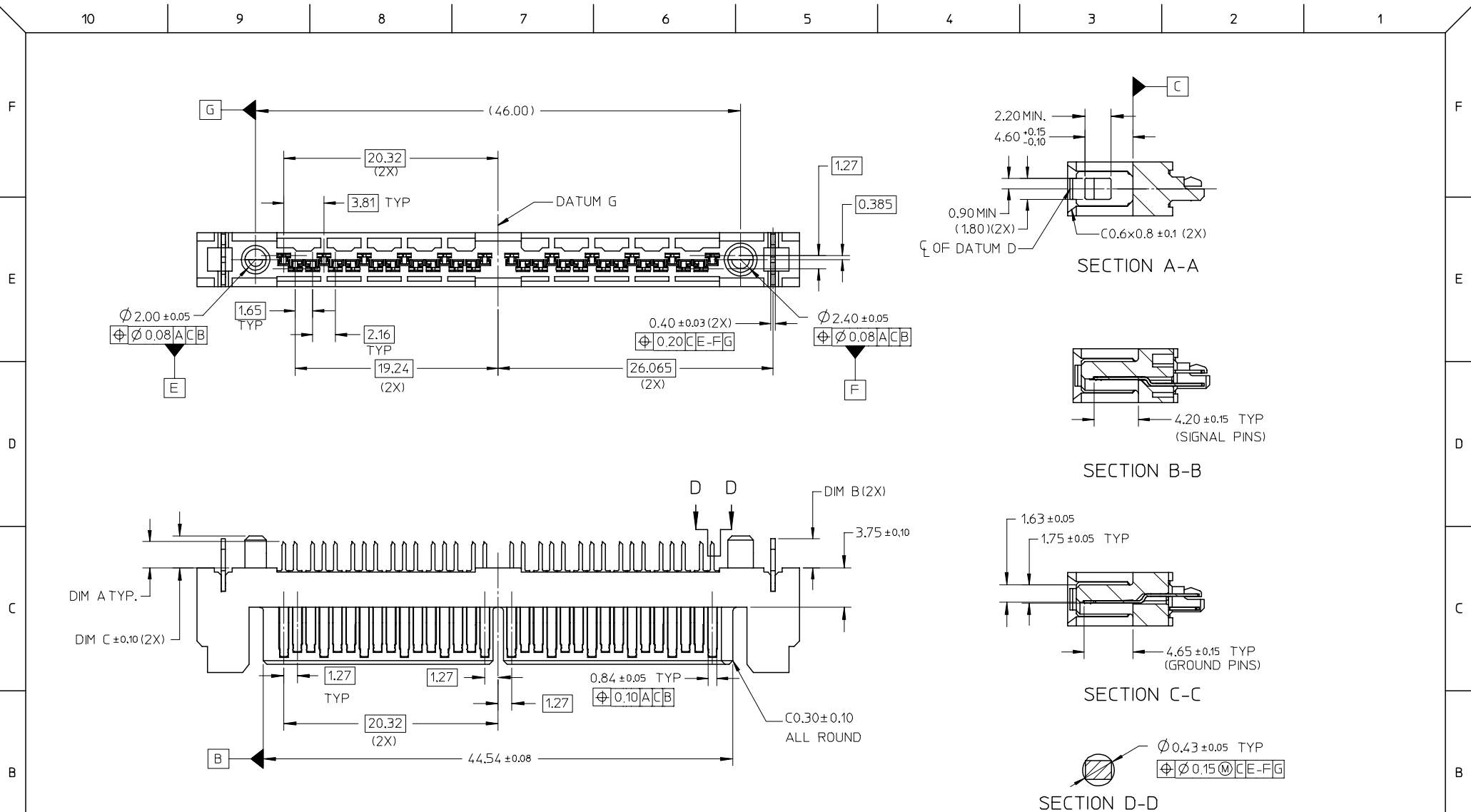


UPDATE NOTES ONLY EC NO: S2006-1001 DRWN:KHLIM CHKD:SHONG APPR:KCLING	2006/03/31 2006/03/31 2006/04/03	QUALITY SYMBOLS ▽=0 ▽=0	GENERAL TOLERANCES (UNLESS SPECIFIED)		DIMENSION STYLE	SCALE	DESIGN UNITS	THIRD ANGLE PROJECTION				
					MM ONLY	NTS	METRIC					
					mm	INCH						
					ANGULAR ± 3 °							
DRAFT WHERE APPLICABLE MUST REMAIN WITHIN DIMENSIONS			SEE TABLE		MATERIAL NO.		DOCUMENT NO.		SHEET NO.			
A			A3		SKT0H		SD-87959-001		1 OF 3			

SERIAL INTERNAL MULTI-LANE PLUG, T/H

MOLEX INCORPORATED

THIS DRAWING CONTAINS INFORMATION THAT IS PROPRIETARY TO MOLEX INCORPORATED AND SHOULD NOT BE USED WITHOUT WRITTEN PERMISSION



REV	DESCRIPTION
A	UPDATE NOTES ONLY EC NO: S2006-1001 DRWN:KHLIM 2006/03/31 CHKD:SHONG 2006/03/31 APPR:KCLING 2006/04/03

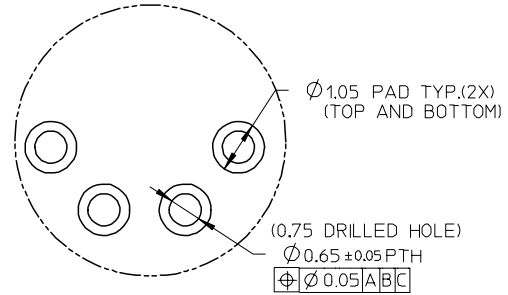
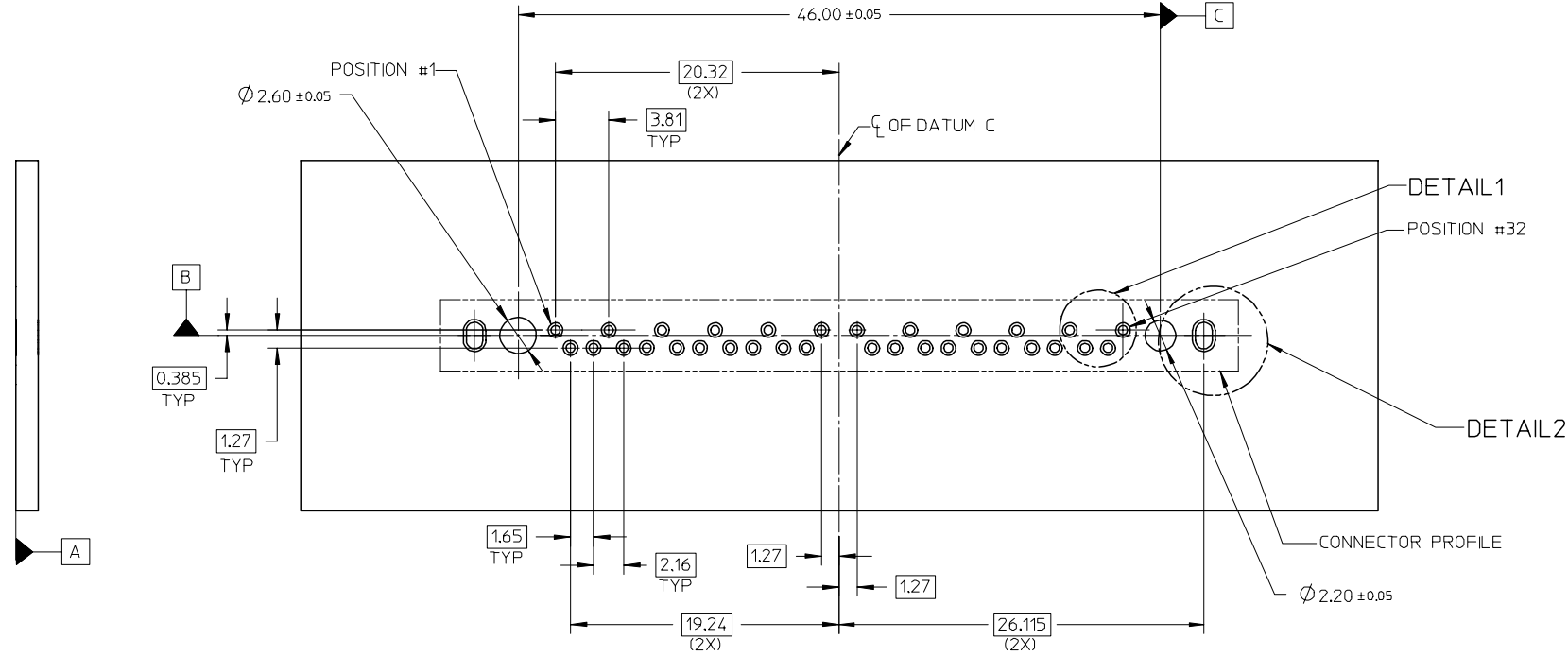
QUALITY SYMBOLS	▽=0 ◻=0
-----------------	------------

GENERAL TOLERANCES (UNLESS SPECIFIED)	
	MM ONLY
4 PLACES	± ---
3 PLACES	± ---
2 PLACES	± 0.25
1 PLACE	± ---
ANGULAR ± 3 °	
DRAFT WHERE APPLICABLE MUST REMAIN WITHIN DIMENSIONS	

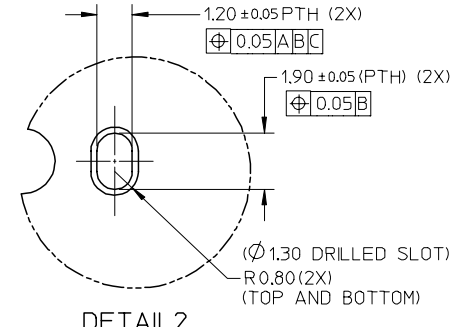
DIMENSION STYLE		SCALE	DESIGN UNITS	THIRD ANGLE PROJECTION
MM ONLY		NTS	METRIC	
DRAWN BY	DATE	TITLE	MOLEX INCORPORATED	
KHLIM	2004/10/18	SERIAL INTERNAL MULTI-LANE PLUG, T/H		
CHECKED BY	DATE			
DKOH	2004/10/20			
APPROVED BY	DATE			
SKTOH	2004/10/20			
MATERIAL NO.	DOCUMENT NO.	SHEET NO.		
	SEE TABLE	SD-87959-001	2 OF 3	
SIZE	THIS DRAWING CONTAINS INFORMATION THAT IS PROPRIETARY TO MOLEX INCORPORATED AND SHOULD NOT BE USED WITHOUT WRITTEN PERMISSION			
A3				

10 9 8 7 6 5 4 3 2 1

F
E
D
C
B
A



DETAIL 1



DETAIL 2

RECOMMENDED PCB LAYOUT

UPDATE NOTES ONLY EC NO: S2006-1001 DRWN:KHLIM 2006/03/31 CHKD:SHONG 2006/03/31 APPR:KCLING 2006/04/03	DESCRIPTION REV	QUALITY SYMBOLS	GENERAL TOLERANCES (UNLESS SPECIFIED)	DIMENSION STYLE	SCALE	DESIGN UNITS	THIRD ANGLE PROJECTION
		$\nabla=0$ $\sphericalangle=0$	mm INCH 4 PLACES ± --- ± --- 3 PLACES ± --- ± --- 2 PLACES ± 0.25 ± --- 1 PLACE ± --- ± --- ANGULAR ± 3 °	MM ONLY	NTS	METRIC	TITLE SERIAL INTERNAL MULTI-LANE PLUG, T/H MOLEX INCORPORATED DOCUMENT NO. SD-87959-001 SHEET NO. 3 OF 3
		DRAFT WHERE APPLICABLE MUST REMAIN WITHIN DIMENSIONS	SEE TABLE	DRAWN BY DATE KHLIM 2004/10/18 CHECKED BY DATE DKOH 2004/10/20 APPROVED BY DATE SKTOH 2004/10/20 MATERIAL NO. SIZE A3	THIS DRAWING CONTAINS INFORMATION THAT IS PROPRIETARY TO MOLEX INCORPORATED AND SHOULD NOT BE USED WITHOUT WRITTEN PERMISSION		

9 8 7 6 5 4 3 2 1