

PLEASE CHECK WWW.MOLEX.COM FOR LATEST PART INFORMATION

Part Number: [0358571449](#)
Status: **Active**
Overview:
Description: 1.00mm (.039") Pitch FFC Connector, Vertical, Non-ZIF, 14 Circuits, Tube Packaging

Agency Certification

CSA	LR19980
UL	E29179

General

Product Family	FFC/FPC Connectors
Series	35857
Overview	ffc_fpc_throughhole
Product Name	N/A

Physical

Circuits (Loaded)	14
Color - Resin	Black
Contact Position	N/A
Durability (mating cycles max)	10
Entry Angle	Vertical
Flammability	94V-0
Mated Height (in)	0.205 In
Mated Height (mm)	5.20 mm
Material - Metal	Phosphor Bronze
Material - Plating Mating	Tin
Material - Plating Termination	Tin
Material - Resin	Nylon
Number of Rows	1
Orientation	Vertical
PC Tail Length (in)	0.110 In
PC Tail Length (mm)	2.80 mm
PCB Locator	No
PCB Retention	None
Packaging Type	Tube
Pitch - Mating Interface (in)	0.039 In
Pitch - Mating Interface (mm)	1.00 mm
Plating min: Mating (µin)	32.00
Plating min: Mating (µm)	0.800
Plating min: Termination (µin)	32.00
Plating min: Termination (µm)	0.80
Polarized to PCB	No
Stackable	No
Temperature Range - Operating	-20°C to +80°C
Termination Interface: Style	Through Hole
Wire/Cable Type	FFC/FPC

Electrical

Current - Maximum per Contact	0.5A
Voltage - Maximum	50V

Material Info

Reference - Drawing Numbers

Packaging Specification	PK-35857-001
Product Specification	PS-35857-001
Sales Drawing	SD-35857-***9, SD-35857-***41

EU RoHS

**ELV and RoHS
Compliant**
**REACH SVHC
Contains SVHC: No**
**Halogen-Free
Status**
Not Halogen-Free

China RoHS



**Need more information on product
environmental compliance?**

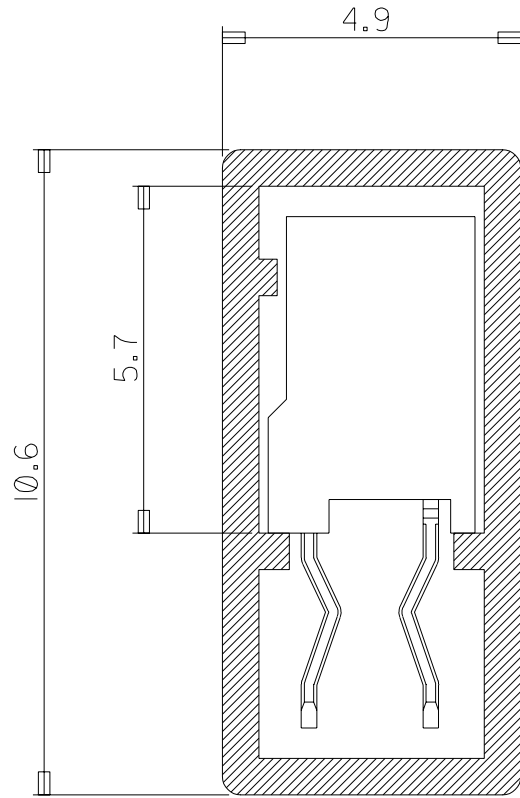
Email productcompliance@molex.com
 For a multiple part number RoHS Certificate of
 Compliance, [click here](#)

Please visit the [Contact Us](#) section for any
 non-product compliance questions.

Search Parts in this Series
[35857Series](#)

This document was generated on 06/04/2010

PLEASE CHECK WWW.MOLEX.COM FOR LATEST PART INFORMATION



NOTE

1. ENG NO.

HSG ASS'Y	PACKING	SHAPE	
		TAIL	KINK
35857-***11	35857-***19	3.2	0
35857-***21	35857-***29	3.2	X
35857-***31	35857-***39	2.8	0
35857-***41	35857-***49	2.8	X

2. MATERIAL : PVC

3. TUBE LENGTH : 550mm

NEW RELEASED
 KOR2003-0277
 HSSHIN 20030630
 J.K.OH
 C.W.LEE

8-1 X

H.S.SHIN 99.2.26

J.K.OH 99.2.26

C.W.LEE 99.2.26

3

1

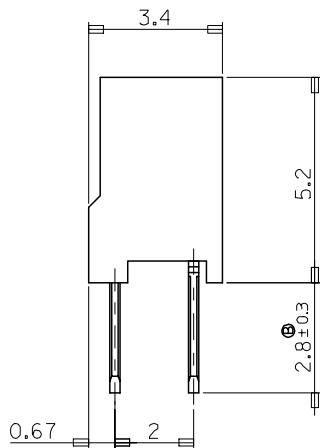
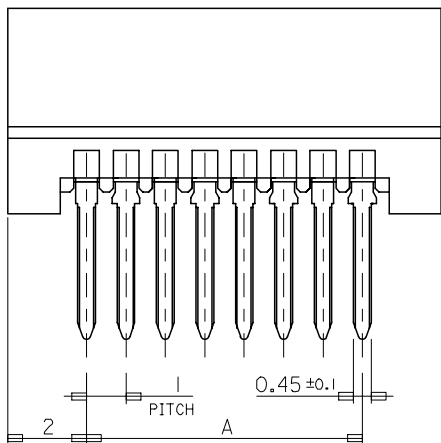
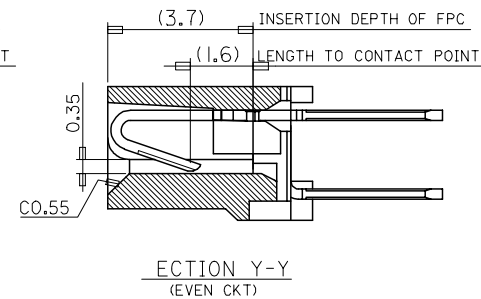
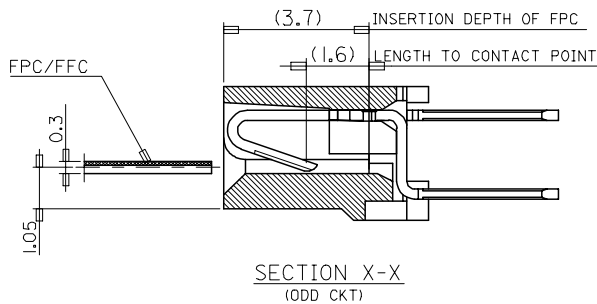
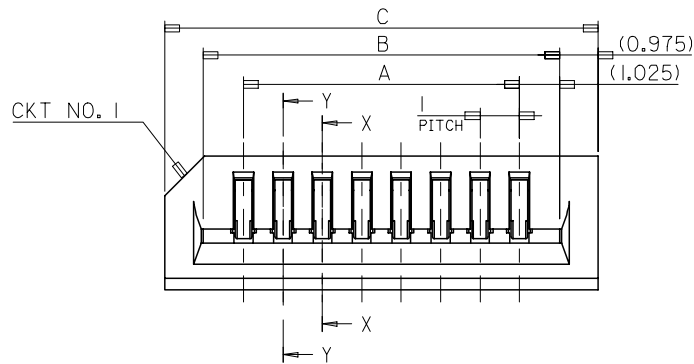
X

TUBE PACKING
 FOR 35857 SERIES

20	22
21	21
	20
22	19
24	18
25	17
27	16
28	15
30	14
32	13
34	12
37	11
40	10
43	9
47	8
52	7
57	6
65	5
74	4
85	3
Q'TY	CKT

15	30
16	29
	28
17	27
	26
18	25
19	24
	23
Q'TY	CKT

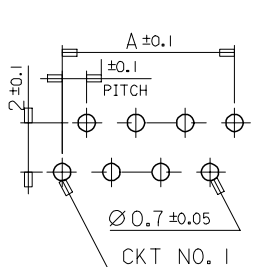
SD-35857-***41



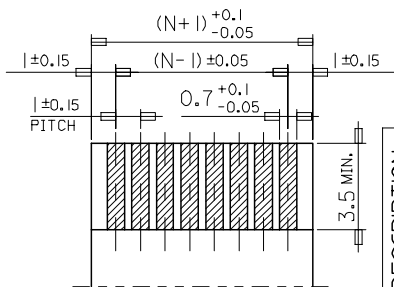
NOTES

- 1. MATERIAL
HOUSING : NYLON66 (UL 94V-0)
(COLOR:BLACK)
TERMINAL : PHOSPHOR BRONZE
TIN-PLATED

33	31.05	29	35857-3041	30
32	30.05	28	-2941	29
31	29.05	27	-2841	28
30	28.05	26	-2741	27
29	27.05	25	-2641	26
28	26.05	24	-2541	25
27	25.05	23	-2441	24
26	24.05	22	-2341	23
25	23.05	21	-2241	22
24	22.05	20	-2141	21
23	21.05	19	-2041	20
22	20.05	18	-1941	19
21	19.05	17	-1841	18
20	18.05	16	-1741	17
19	17.05	15	-1641	16
18	16.05	14	-1541	15
17	15.05	13	-1441	14
16	14.05	12	-1341	13
15	13.05	11	-1241	12
14	12.05	10	-1141	11
13	11.05	9	-1041	10
12	10.05	8	-0941	9
11	9.05	7	-0841	8
10	8.05	6	-0741	7
9	7.05	5	-0641	6
8	6.05	4	-0541	5
7	5.05	3	-0441	4
6	4.05	2	35857-0341	3
C	B	A	ENG. NO.	CKT. NO.



P.C. BOARD LAYOUT
(MOUNTING SIDE)
(THK. : 1.6+)



APPLICABLE FPC
(THK. : 0.3 ± 0.03)

ENTER DESCRIPTION
EC NO: KOR2007-0095
DRWN: JHLEE05 2007/02/23
CHKD: KSKIM 2007/02/23
APPR: YUNSIKKIM 2007/02/26

QUALITY SYMBOLS
▽=0
△=0

GENERAL TOLERANCES (UNLESS SPECIFIED)	
mm	INCH
4 PLACES ± ---	± ---
3 PLACES ± ---	± ---
2 PLACES ± ---	± ---
1 PLACE ± 0.2	± ---
ANGULAR ± 1 °	
DRAFT WHERE APPLICABLE MUST REMAIN WITHIN DIMENSIONS	

DIMENSION STYLE IN/MM
DRAWN BY HS. SHIN DATE 1999/02/26
CHECKED BY JK. OH DATE 1999/02/26
APPROVED BY CW. LEE DATE 1999/02/26
MATERIAL NO.
ENTER PART

SCALE 1:1
DESIGN UNITS METRIC
THIRD ANGLE PROJECTION
molex DOCUMENT NO. SD-35857-***41

1.0 FFC CONN.
NON-ZIF ST. SERIES
(03~30 CKTS)
MOLEX INCORPORATED
SHEET NO. 1 OF 00
THIS DRAWING CONTAINS INFORMATION THAT IS PROPRIETARY TO MOLEX INCORPORATED AND SHOULD NOT BE USED WITHOUT WRITTEN PERMISSION