

TRIAC

(Ta=25°C)

Model No.	Internal Connection Diagram	Outline Dimensions	Absolute Maximum Ratings			Electrical Characteristics					
			Repetitive Peak Off-State Voltage V_{DRM} (V)	RMS On-State Current		Gate Trigger Current		Gate Trigger Voltage		Critical Rate of Rise of Off-State Voltage	
				I_T (rms) (A)	Conditions	I_{GT} (mA) MAX.	Conditions	V_{GT} (V) MAX.	Conditions	dv/dt (V/ μ s) TYP.	Conditions
PQ105A1	A	①	400	5	Tc=102°C	30	$V_{DM}=12V$ $R_L=30\Omega$	1.5	$V_{DM}=12V$ $R_L=30\Omega$	100	$V_{DM}=2/3 V_{DRM}$ Tj=125°C
PQ108A1	A	①	400	8	Tc=89°C	30	$V_{DM}=12V$ $R_L=30\Omega$	1.5	$V_{DM}=12V$ $R_L=30\Omega$	100	$V_{DM}=2/3 V_{DRM}$ Tj=125°C
PQ205A1	A	①	600	5	Tc=102°C	30	$V_{DM}=12V$ $R_L=30\Omega$	1.5	$V_{DM}=12V$ $R_L=30\Omega$	100	$V_{DM}=2/3 V_{DRM}$ Tj=125°C
PQ208A1	A	①	600	8	Tc=89°C	30	$V_{DM}=12V$ $R_L=30\Omega$	1.5	$V_{DM}=12V$ $R_L=30\Omega$	100	$V_{DM}=2/3 V_{DRM}$ Tj=125°C

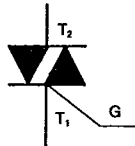
Multi-Channel Triac

(Ta=25°C)

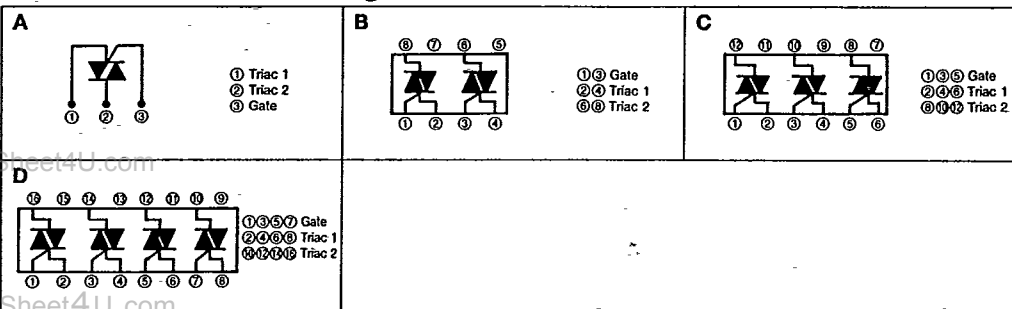
Model No.	Internal Connection Diagram	Outline Dimensions	Absolute Maximum Ratings			Electrical Characteristics						
			Repetitive Peak Off-State Voltage V_{DRM} (V)	RMS On-State Current		Gate Trigger Current *1		Gate Trigger Voltage *1		Critical Rate of Rise of Off-State Voltage		
				I_T (rms) (A) MAX.	Conditions	I_{GT} (mA) MAX.	Conditions	V_{GT} (V) MAX.	Conditions	dv/dt (V/ μ s) MAX.	Conditions	
*2 PQ101A12	B	②	400	1.0	f=50Hz sine full wave 360° applying current	I : 15 II : 15 III : 15	$V_{DM}=12V$ $R_L=30\Omega$	I : 3 II : 1.5 III : 1.5	$V_{DM}=12V$ $R_L=30\Omega$	100	$V_{DM}=V_{DRM}$	
*2 PQ101A13	C	③	400	1.0			$V_{DM}=12V$ $R_L=30\Omega$		$V_{DM}=12V$ $R_L=30\Omega$	100	$V_{DM}=V_{DRM}$	—
*2 PQ101A14	D	④	400	1.0			$V_{DM}=12V$ $R_L=30\Omega$		$V_{DM}=12V$ $R_L=30\Omega$	100	$V_{DM}=V_{DRM}$	—

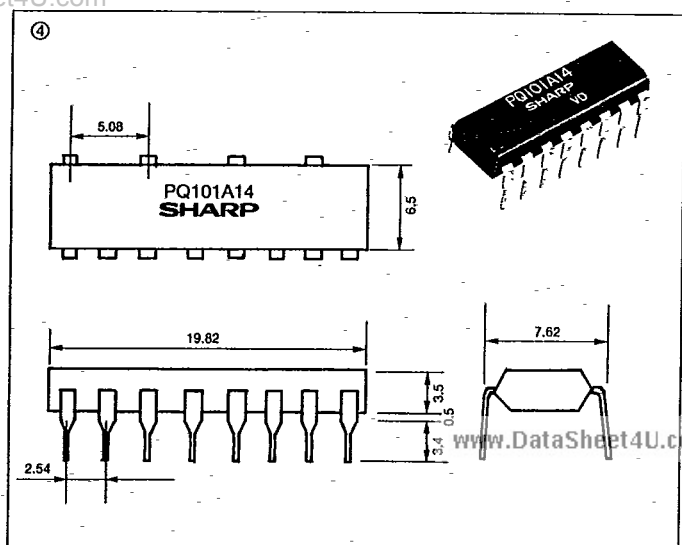
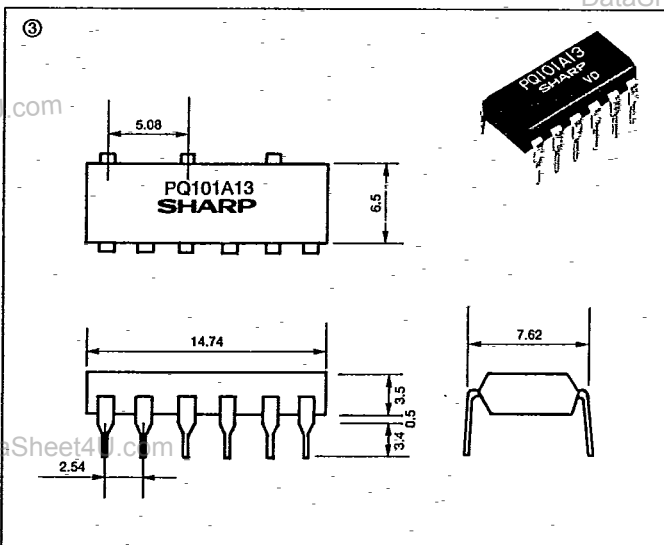
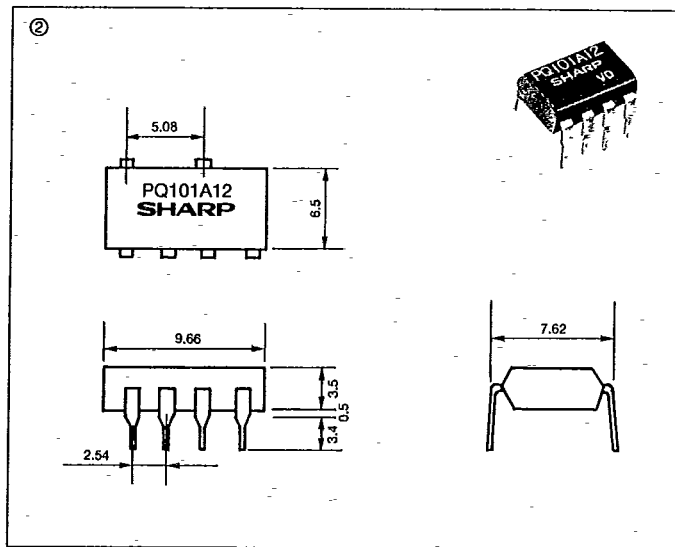
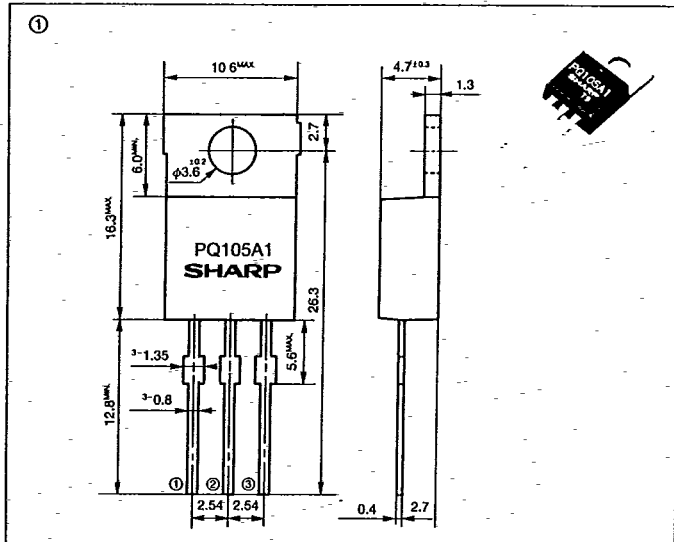
*1 I_{GT} and V_{GT} is measured in 4 mode. *2 Under development

Mode	T ₂ Voltage	G Voltage
I	+	+
II	-	-
III	+	-



Internal Connection Diagrams





et4U.com

DataSheet4U.com

www.DataSheet4U.com