

**PLEASE CHECK WWW.MOLEX.COM FOR LATEST PART INFORMATION**

**Part Number:** [0876550004](#)  
**Status:** **Active**  
**Description:** 1.27mm (.050") Pitch DDR DIMM Socket, Right Angle, Single Key, with Beveled Metal Pin and Plastic Pegs, 184 Circuits, 0.38µm (15µ") Gold (Au) Plating, 2.79mm (.110) Tail Length, Leadfree

**Documents:**

[3D Model](#) [RoHS Certificate of Compliance \(PDF\)](#)  
[Drawing \(PDF\)](#)

**General**

Product Family	Memory Module Sockets
Series	<a href="#">87655</a>
Component Type	Memory Module
JEDEC Outline	MO-206
Product Name	DDR DIMM

**Physical**

Circuits (Loaded)	184
Color - Resin	Black, Natural
Durability (mating cycles max)	25
Entry Angle	90° Angle (Side Entry)
Keying to Mating Part	Yes
Material - Metal	Brass, High Performance Alloy (HPA)
Material - Plating Mating	Gold
Material - Plating Termination	Tin
Material - Resin	High Temperature Thermoplastic
PC Tail Length (in)	0.110 In
PC Tail Length (mm)	2.79 mm
PCB Locator	Yes
PCB Retention	Yes
PCB Thickness Recommended (in)	0.062 In
PCB Thickness Recommended (mm)	1.60 mm
Packaging Type	Tray
Pitch - Mating Interface (in)	0.050 In
Pitch - Mating Interface (mm)	1.27 mm
Plating min: Mating (µin)	15.2
Plating min: Mating (µm)	0.38
Plating min: Termination (µin)	101.6
Plating min: Termination (µm)	2.54
Temperature Range - Operating	-10°C to +85°C
Termination Interface: Style	Through Hole

**Electrical**

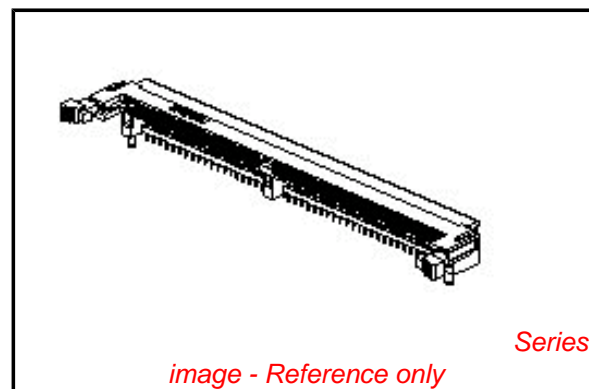
Current - Maximum per Contact	1A
Voltage - Maximum	125V
Voltage Key	2.5V, Left

**Solder Process Data**

Duration at Max. Process Temperature (seconds)	10
Lead-free Process Capability	SMC & Wave Capable (TH only)
Max. Cycles at Max. Process Temperature	1
Process Temperature max. C	240

**Material Info**

**Reference - Drawing Numbers**



**EU RoHS**

**ELV and RoHS Compliant**  
**REACH SVHC**  
 Not Reviewed  
**Halogen-Free Status**

**China RoHS**



**Need more information on product environmental compliance?**

Email [productcompliance@molex.com](mailto:productcompliance@molex.com)  
 For a multiple part number RoHS Certificate of Compliance, [click here](#)

Please visit the [Contact Us](#) section for any non-product compliance questions.

**Search Parts in this Series**

[87655Series](#)

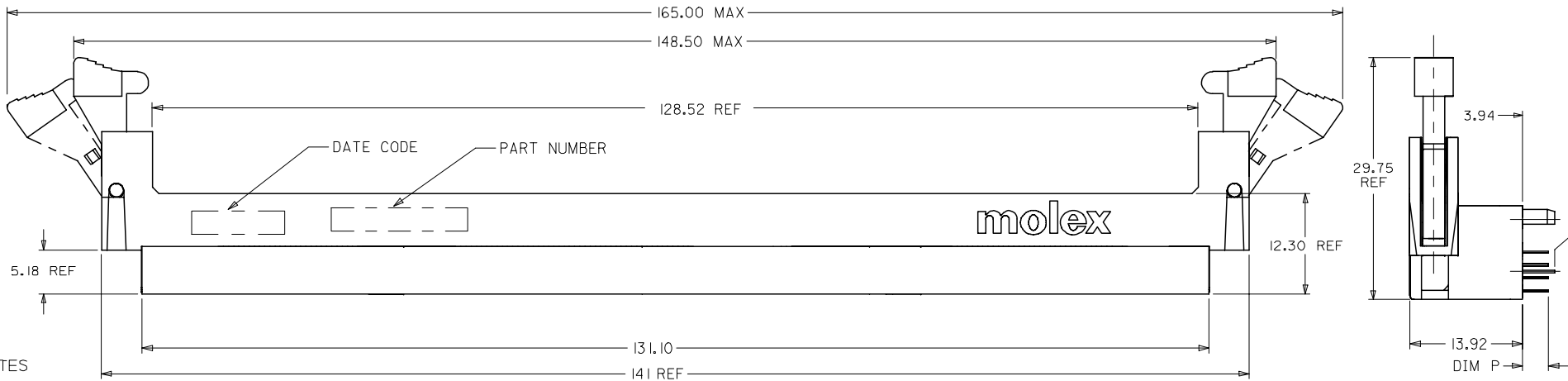
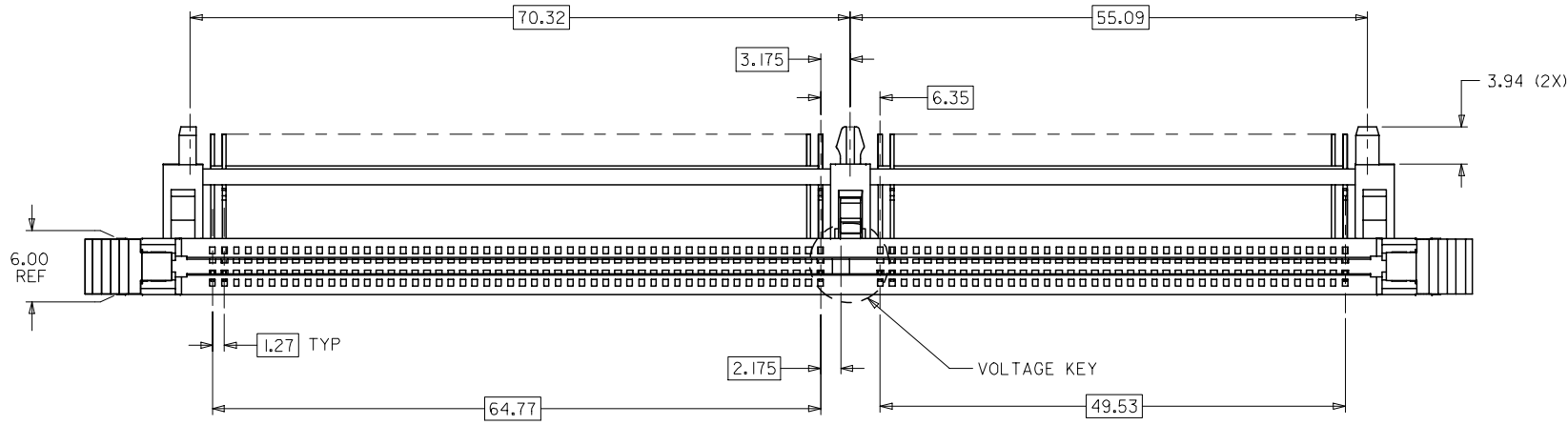
**Mates With**

JEDEC standard 1.27mm modules

This document was generated on 04/09/2010

**PLEASE CHECK [WWW.MOLEX.COM](http://WWW.MOLEX.COM) FOR LATEST PART INFORMATION**

10 9 8 7 6 5 4 3 2 1



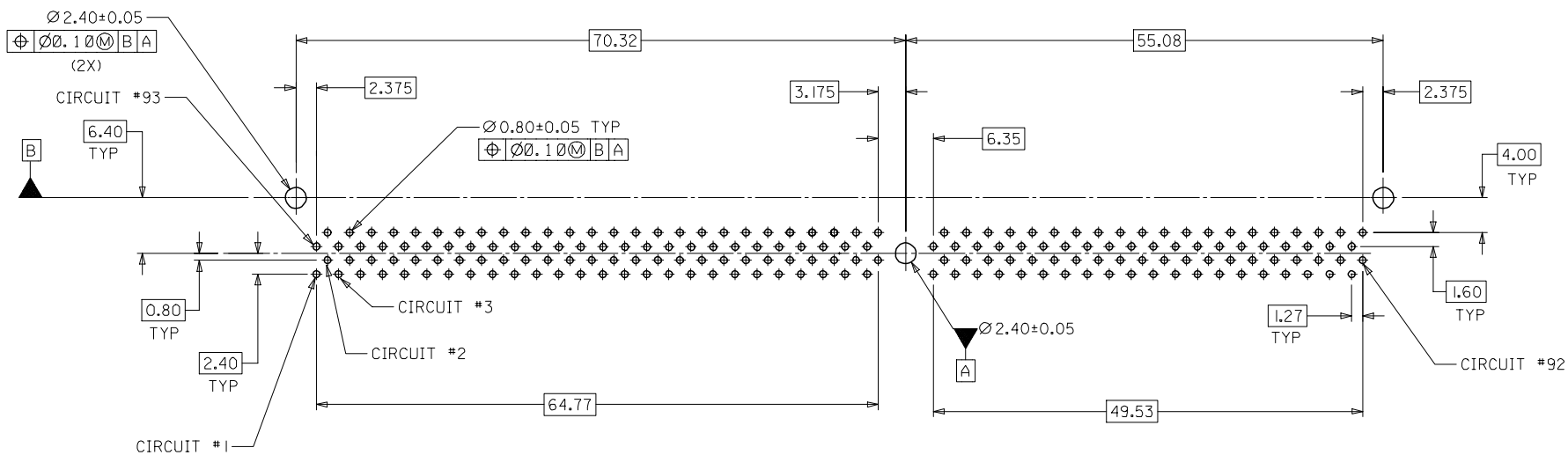
NOTES

- MATERIALS:  
HOUSING AND BASEPLATE - HIGH TEMP LCP GLASS FILLED, UL 94V-0  
COLOR: BLACK  
EJECTORS - HIGH TEMP NYLON GLASS FILLED, UL 94V-0  
COLOR: NATURAL (OFF WHITE)  
TERMINALS AND FORKLOCK - COPPER ALLOY
- FINISHES: CONTACT AREA: SEE TABLE  
SOLDERTAIL: 2.54mm/100µMIN. TIN  
UNDERPLATE: 1.27mm/50µ IN. NICKEL
- PRODUCT SPECIFICATIONS: PS-87609-002 FOR PERFORMANCE SPECIFICATIONS.
- DATE CODE SHALL BE MARKED LEGIBLY AS SHOWN: XX XX  
YEAR WEEK
- PART NUMBER SHALL BE MARKED LEGIBLY AS SHOWN: 87655-0XXX  
REFER TO TABLE

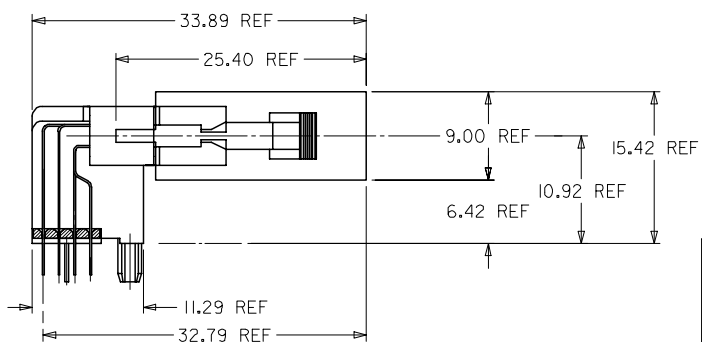
OBS TIN/LEAD P/N EC NO: S2006-0746 2006/02/27 DRWN:MLONG CHKD:HO 2006/02/28 APPR:GJLEE 2006/02/28	QUALITY SYMBOLS ▽=0 ▽C=0	GENERAL TOLERANCES (UNLESS SPECIFIED)		DIMENSION STYLE MM ONLY	SCALE NTS	DESIGN UNITS METRIC	THIRD ANGLE PROJECTION		
		4 PLACES ± --- ± ---	3 PLACES ± --- ± ---	2 PLACES ± 0.25 ± ---	1 PLACE ± --- ± ---	ANGULAR ± 5 °	DRAWN BY MLONG	DATE 2000/12/21	TITLE DDR DIMM, 1.27MM PITCH 184 CKTS, R/A
		DRAFT WHERE APPLICABLE MUST REMAIN WITHIN DIMENSIONS		SEE TABLE	APPROVED BY SQUEK	DATE 2000/12/29	APPROVED BY SKTOH	DATE 2000/12/29	MOLEX INCORPORATED
		MATERIAL NO.		DOCUMENT NO. SD-87655-001	SHEET NO. 1 OF 3				

9 8 7 6 5 4 3 2 1

CONTACT AREA	PART NUMBER	VOLTAGE KEY	TAIL LENGTH P±0.25	RECOMMENDED PCB THICKNESS
0.38µm/15µ" MIN. GOLD	87655-0004	LEFT (2.5V)	2.79	1.57
	87655-0005		3.18	
0.76µm/30µ" MIN. GOLD	87655-0007		2.79	



RECOMMENDED  
P.C. BOARD HOLE PATTERN  
(CONNECTOR SIDE)



ACTUAL MODULE HEIGHT AND CLEARANCE  
WHEN USING A 9.00MM THICK BY 25.40MM HEIGHT  
MODULE (TYPICAL SOJ PACKAGING).

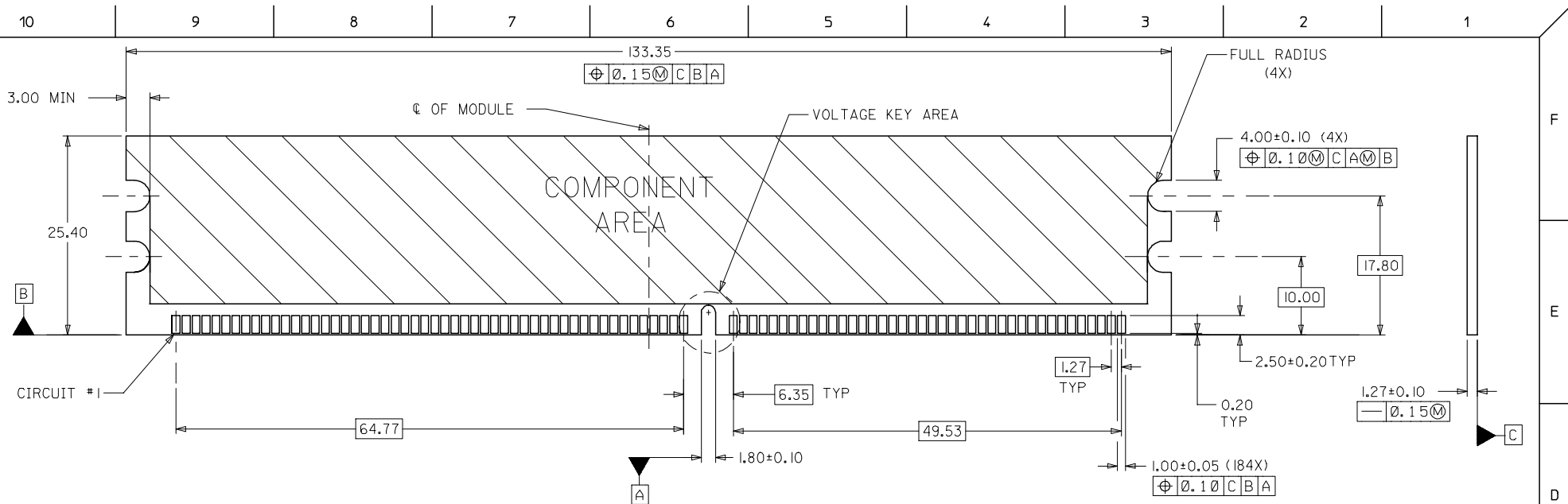
OBS TIN/LEAD P/N	EC NO: S2006-0746	2006/02/27
	DRWN:MLONG	2006/02/28
	CHKD:IHO	2006/02/28
	APPR:GGLLEE	2006/02/28
	REV	

QUALITY SYMBOLS	DESCRIPTION
▽=0	
∇=0	

GENERAL TOLERANCES (UNLESS SPECIFIED)	DIMENSION STYLE	
	MM ONLY	
	mm	INCH
4 PLACES	± ---	± ---
3 PLACES	± ---	± ---
2 PLACES	± 0.25	± ---
1 PLACE	± ---	± ---
ANGULAR ± 5 °		
DRAFT WHERE APPLICABLE MUST REMAIN WITHIN DIMENSIONS		

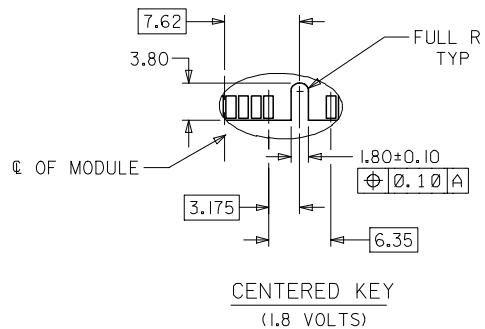
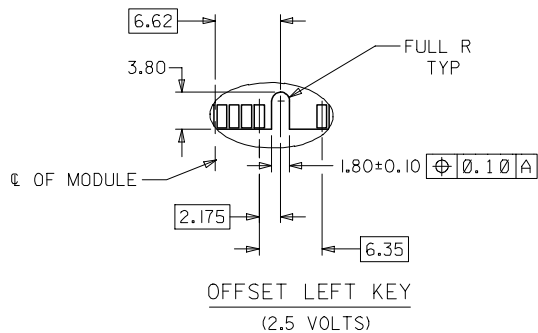
DRAWN BY	DATE
MLONG	2000/12/21
CHECKED BY	DATE
SQUEK	2000/12/29
APPROVED BY	DATE
SKTOH	2000/12/29
MATERIAL NO.	
SEE TABLE	
SIZE	A3

SCALE	DESIGN UNITS	THIRD ANGLE PROJECTION
NTS	METRIC	
TITLE		
DDR DIMM, 1.27MM PITCH		
184 CKTS, R/A		
MOLEX INCORPORATED		
DOCUMENT NO.	SHEET NO.	
SD-87655-001	2 OF 3	
THIS DRAWING CONTAINS INFORMATION THAT IS PROPRIETARY TO MOLEX INCORPORATED AND SHOULD NOT BE USED WITHOUT WRITTEN PERMISSION		



**RECOMMENDED MODULE LAYOUT**  
 (PER JEDEC STANDARD MO-206, 184 CKT.)  
 UNLESS OTHERWISE SPECIFIED, GENERAL TOLERANCE FOR MODULE = ±0.13

**VOLTAGE KEY AREA OPTIONS**



OBS TIN/LEAD P/N EC NO: S2006-0746 DRWN:MLONG CHKD:IHO APPR:GJLEE	REV DESCRIPTION	QUALITY SYMBOLS	GENERAL TOLERANCES (UNLESS SPECIFIED)	DIMENSION STYLE	SCALE	DESIGN UNITS	THIRD ANGLE PROJECTION	
		▽=0 ∇=0	mm INCH	MM ONLY	NTS	METRIC		
			4 PLACES ± --- ± --- 3 PLACES ± --- ± --- 2 PLACES ± 0.25 ± --- 1 PLACE ± --- ± ---	DRAWN BY DATE MLONG 2000/12/21	TITLE	DDR DIMM, 1.27MM PITCH 184 CKTS, R/A		
			ANGULAR ± 5 °	CHECKED BY DATE SQUEK 2000/12/29	APPROVED BY DATE SKTOH 2000/12/29	MOLEX INCORPORATED		
		DRAFT WHERE APPLICABLE MUST REMAIN WITHIN DIMENSIONS	SIZE A3	SEE TABLE	DOCUMENT NO. SD-87655-001	SHEET NO. 3 OF 3		