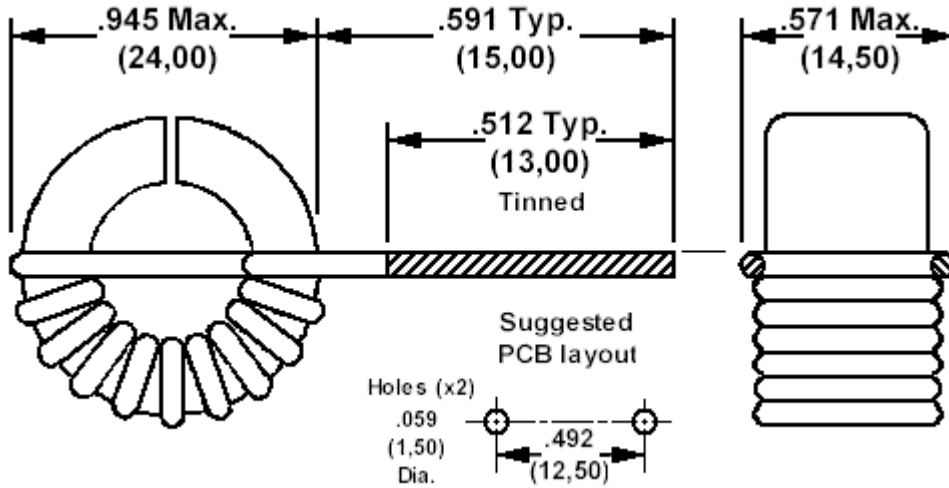


555-8820 Self leaded power inductor, 100 Watt for Class D Amplifier applications



How to order code
555-8820-20-00-00
 Basic Part No

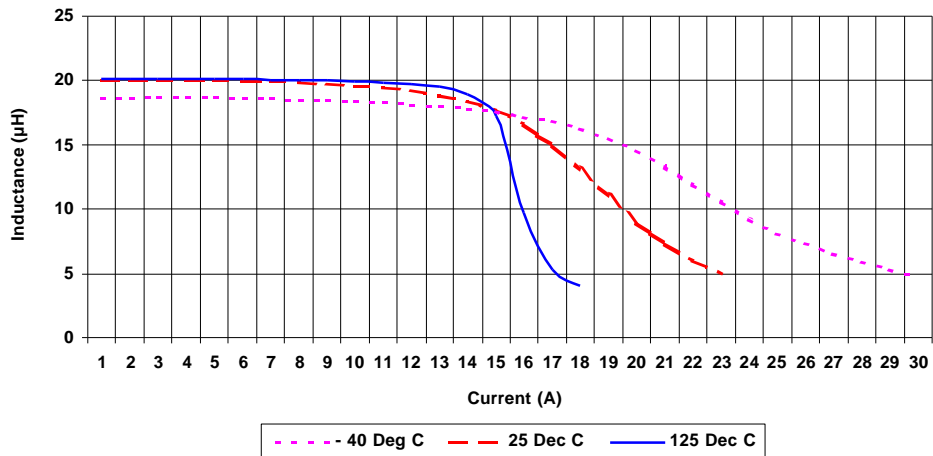
ELECTRICAL SPECIFICATIONS

Basic Part Number	Inductance @ I rated (Typ)	I rated (A)	DCR (mW)		Inductance @ 0 A _{DC} (μH ±10%)	Saturation Current I _{SAT} (A)			Heating Current I _{DC} (A)
			(Typ)	(Max)		@ -40°C	@ 25°C	@ 125°C	
555-8820-20	20(μH)	7	58	100	20	8.0	7.5	6.5	7
Coil weight 12.3 grams					Packed 50 per vacuum formed tray.				

Operating temperatures are -40°C to + 125°C

- High Performance Class D Solution.
- Designed to match Zetex ZXCD series Class D Audio Solution www.zetex.com.
- Low cost using gapped toroid

555-8820 Typical inductance vs DC Bias @ 3 ambient temperatures



Data is subject to change without notice.

Other brands mentioned on this datasheet may be (registered) trademarks of their respective owners.