

Silicon NPN Power Transistors

2N5877 2N5878

DESCRIPTION

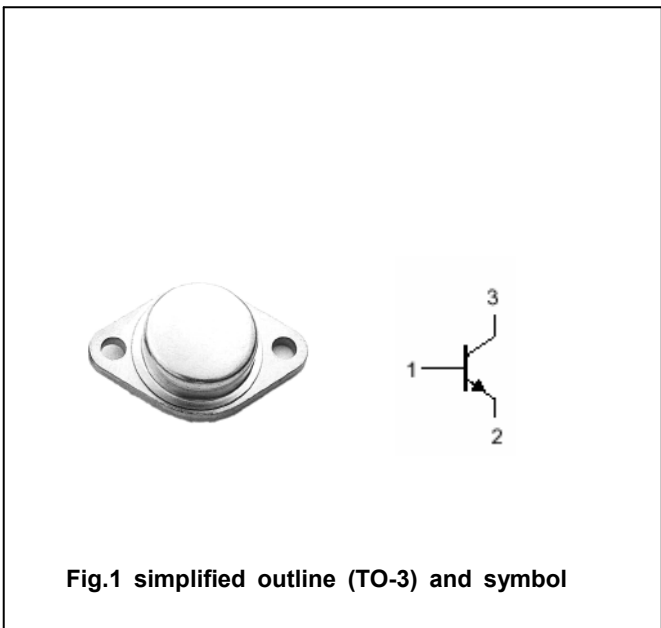
- With TO-3 package
- Low collector saturation voltage
- Complement to type 2N5875 2N5876

APPLICATIONS

- For general-purpose power amplifier and switching applications

PINNING

PIN	DESCRIPTION
1	Base
2	Emitter
3	Collector



Absolute maximum ratings(Ta=□)

SYMBOL	PARAMETER	CONDITIONS	VALUE	UNIT
V _{CBO}	Collector-base voltage	2N5877	60	V
		2N5878	80	
V _{CEO}	Collector-emitter voltage	2N5877	60	V
		2N5878	80	
V _{EBO}	Emitter-base voltage	Open collector	5	V
I _C	Collector current		10	A
I _{CM}	Collector current-peak		20	A
I _B	Base current		4	A
P _D	Total Power Dissipation	T _C =25□	150	W
T _j	Junction temperature		200	□
T _{stg}	Storage temperature		-65~200	□

THERMAL CHARACTERISTICS

SYMBOL	PARAMETER	VALUE	UNIT
R _{th j-c}	Thermal resistance junction to case	1.17	□/W

Silicon NPN Power Transistors

2N5877 2N5878

CHARACTERISTICS

T_j=25°C unless otherwise specified

SYMBOL	PARAMETER	CONDITIONS	MIN	TYP.	MAX	UNIT
V _{CE0(SUS)}	Collector-emitter sustaining voltage	2N5877	I _C =0.2A ; I _B =0			V
		2N5878				
V _{CEsat-1}	Collector-emitter saturation voltage	I _C =5A; I _B =0.5A			1.0	V
V _{CEsat-2}	Collector-emitter saturation voltage	I _C =10A; I _B =2.5A			3.0	V
V _{BEsat}	Base-emitter saturation voltage	I _C =10A; I _B =2.5A			2.5	V
V _{BE}	Base-emitter on voltage	I _C =4A ; V _{CE} =4V			1.5	V
I _{CBO}	Collector cut-off current	V _{CB} =ratedV _{CBO} ; I _B =0			0.5	mA
I _{CEO}	Collector cut-off current	2N5877			1.0	mA
		2N5878				
I _{CEX}	Collector cut-off current	V _{CE} =ratedV _{CE} ; V _{BE} =1.5V T _C =150°C			0.5 5.0	mA
I _{EBO}	Emitter cut-off current	V _{EB} =5V; I _C =0			1.0	mA
h _{FE-1}	DC current gain	I _C =1A ; V _{CE} =4V	35			
h _{FE-2}	DC current gain	I _C =4A ; V _{CE} =4V	20		100	
h _{FE-3}	DC current gain	I _C =10A ; V _{CE} =4V	4			
f _T	Transistion frequency	I _C =0.5A ; V _{CE} =10V; f=1MHz	4			MHz

Silicon NPN Power Transistors

2N5877 2N5878

PACKAGE OUTLINE

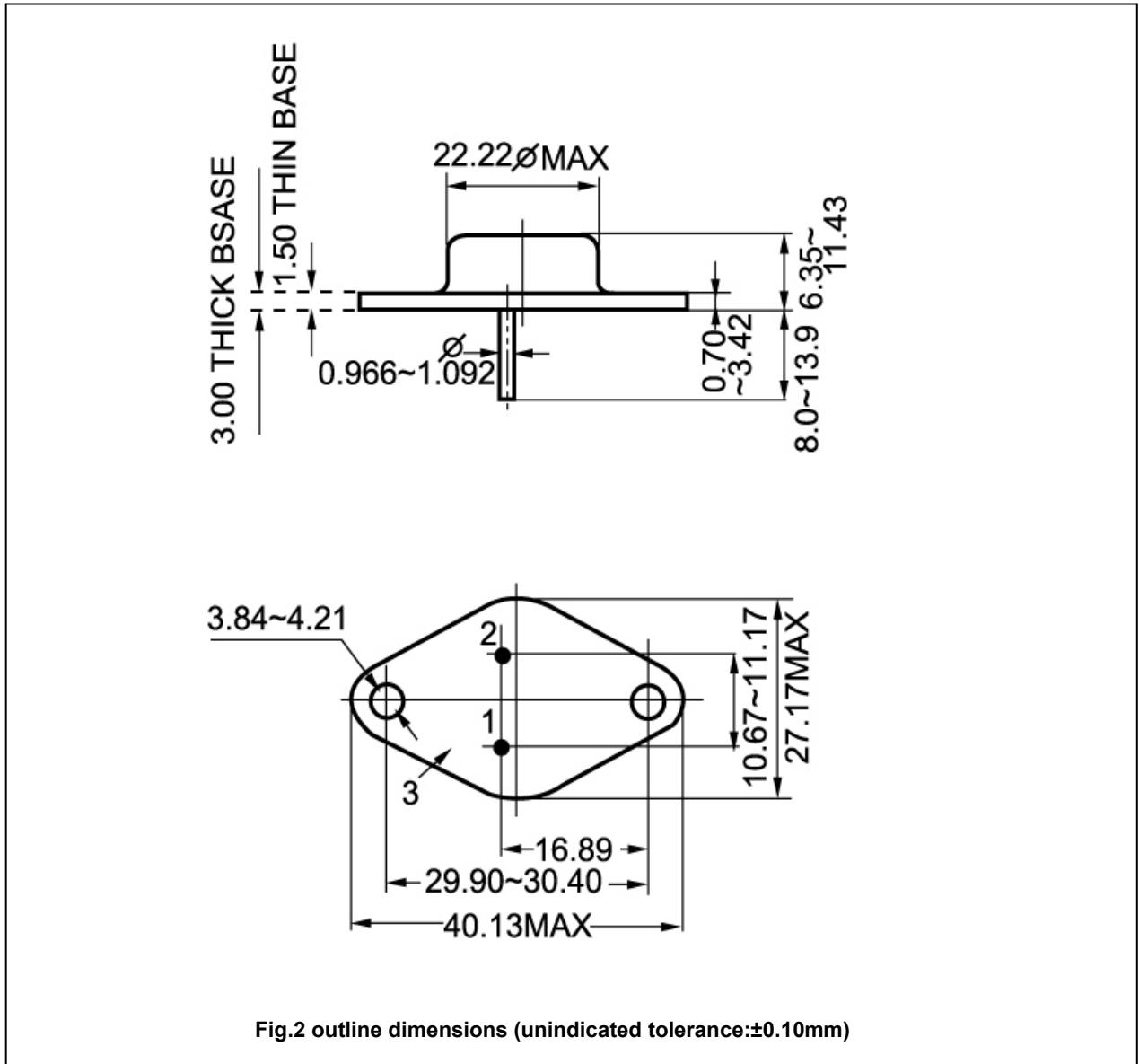


Fig.2 outline dimensions (unindicated tolerance:±0.10mm)