

PLEASE CHECK WWW.MOLEX.COM FOR LATEST PART INFORMATION

Part Number: [0475058300](#)

Status: **Active**

Overview:

Description: 1.00mm (.039") Pitch, PCI Express* Connector, 164 Circuits, Nylon 4/6 Glass-filled, Black Housing, Phosphor Bronze, Gold (Au) Flash Plating, with Plastic Pegs, 2.54mm (.100") Solderetail, with Back-type Latch, LeadFree

General

Product Family	Edge Card Connectors
Series	87715
Comments	With Integrated Back-type Latch
Component Type	Edgecard to PCB
Overview	pci_express_card_edge_connector
Product Name	PCI Express*

Physical

Circuits (Loaded)	164
Circuits (maximum)	164
Circuits Detail	All Signal
Color - Resin	Black
Durability (mating cycles max)	50
Entry Angle	Vertical
Keying to Mating Part	Yes
Material - Metal	Phosphor Bronze
Material - Plating Mating	Gold
Material - Plating Termination	Tin
Material - Resin	High Temperature Thermoplastic, Nylon
PC Tail Length (in)	0.100 In
PC Tail Length (mm)	2.54 mm
PCB Locator	Yes
PCB Retention	Yes
PCB Thickness Recommended (in)	0.062 In
PCB Thickness Recommended (mm)	1.58 mm
Packaging Type	Tray
Pitch - Mating Interface (in)	0.039 In
Pitch - Mating Interface (mm)	1.00 mm
Pitch - Term. Interface (in)	0.039 In
Pitch - Term. Interface (mm)	1.00 mm
Plating min: Mating (µin)	2
Plating min: Mating (µm)	0.05
Plating min: Termination (µin)	100
Plating min: Termination (µm)	2.5
Polarized to Mating Part	Yes
Temperature Range - Operating	-55°C to +85°C
Termination Interface: Style	Through Hole

Electrical

Current - Maximum per Contact	1.1A
Voltage - Maximum	50V AC (RMS)/DC

Material Info

Reference - Drawing Numbers

Packaging Specification	PK-47505-001
Product Specification	PS-47505-001
Sales Drawing	SD-47505-001
Test Summary	TS-47505-001

EU RoHS

**ELV and RoHS
Compliant**

REACH SVHC

Not Reviewed

Halogen-Free

Status

Not Reviewed

China RoHS



**Need more information on product
environmental compliance?**

Email productcompliance@molex.com
For a multiple part number RoHS Certificate of
Compliance, [click here](#)

Please visit the [Contact Us](#) section for any
non-product compliance questions.

Search Parts in this Series

[87715Series](#)

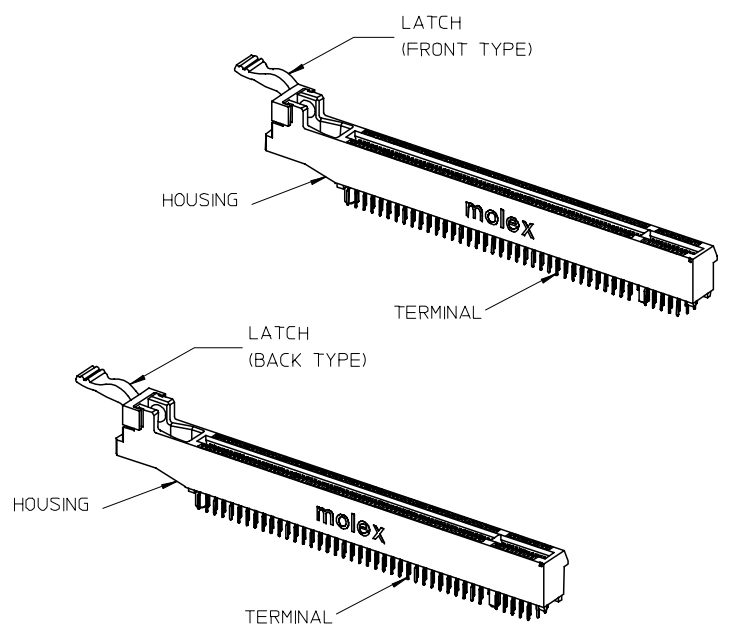
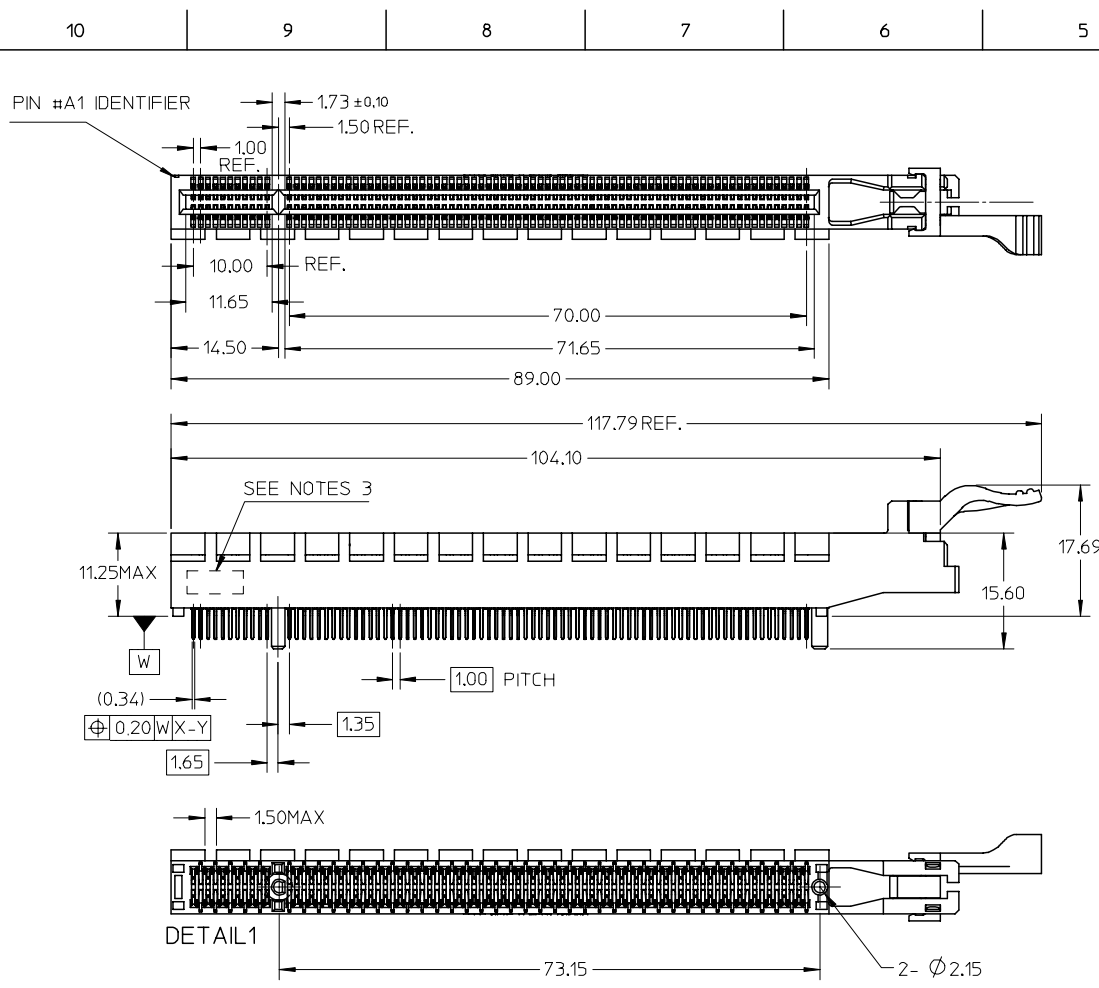
Mates With

PCI Express Card

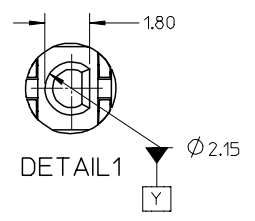
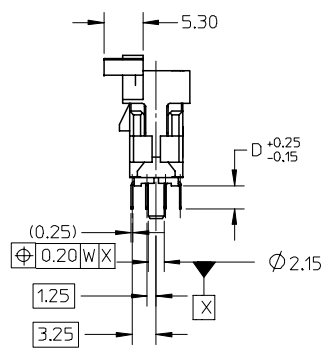
| * PCI Express is a registered trademark of PCI-SIG®

This document was generated on 06/04/2010

PLEASE CHECK WWW.MOLEX.COM FOR LATEST PART INFORMATION

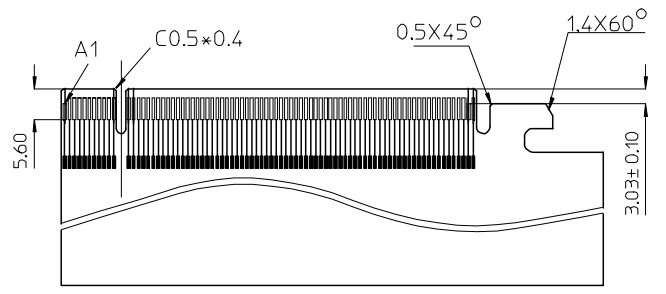
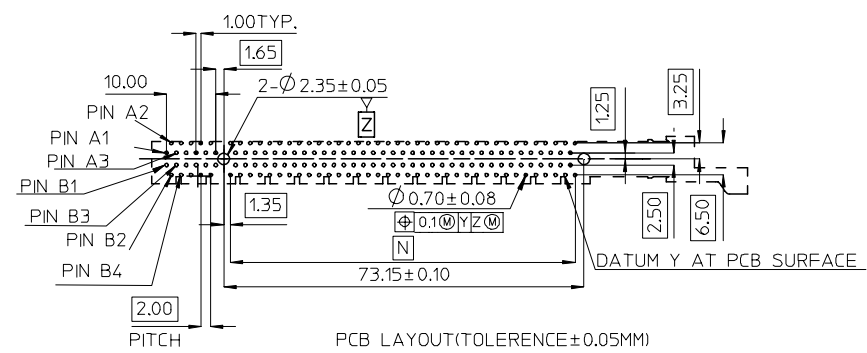
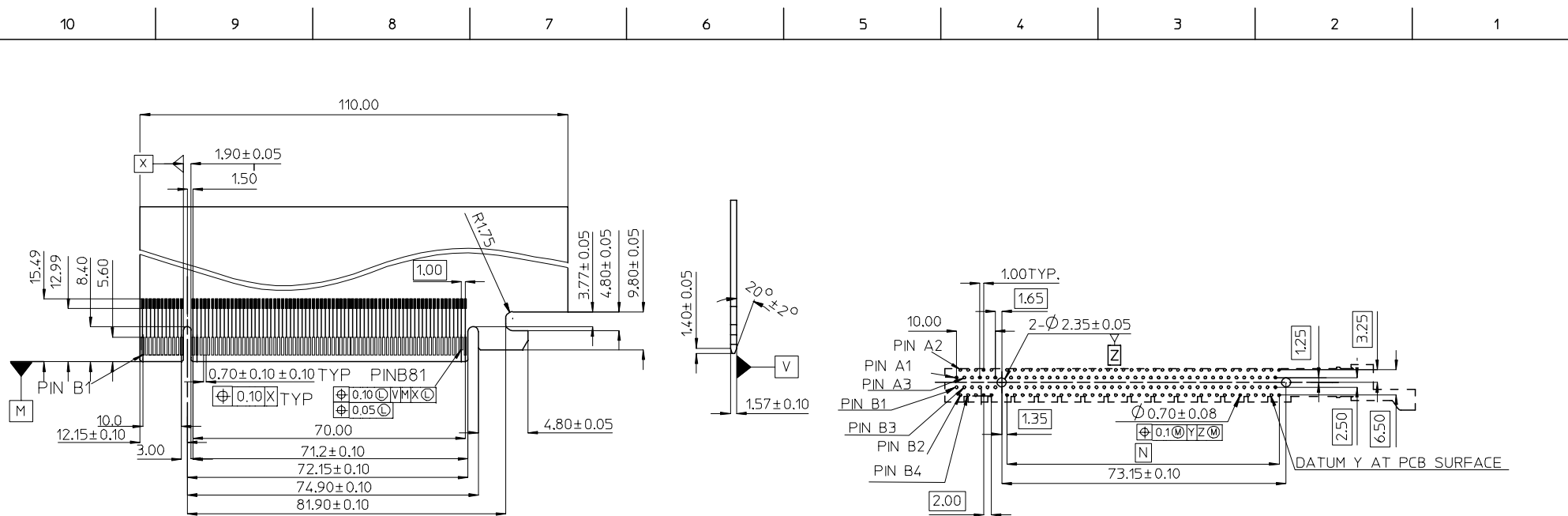


DIM'D*	PCB THK REF.
2.54	1.58
3.10	2.36



NOTES:
 1.MATERIALS:
 1-1.HOUSING:SEE TABLE .GLASS FIBER FILLED UL94V-0.COLOR:SEE TABLE.
 1-2.TERMINAL: SEE TABLE
 1-3.LATCH:NYLON66,GLASS FIBER FILLED UL94V-0.COLOR:BLACK.
 2.PLATING:
 TERMINAL :
 2-1.CONTACT AREA:SEE TABLE .
 2-2.SOLDER TAIL:SEE TABLE.
 2-3.UNDER PLATING: 50 MICROINCH MIN. NICKEL PLATING OVERALL.
 3.DATE CODE: YY MM DD.
 4.PART 47505**** COMPLIANT TO ROHS DIRECTIVE 2002/95/EC AND ELV DIRECTIVE 2000/53/EC.

REV	DESCRIPTION	QUALITY SYMBOLS	GENERAL TOLERANCES (UNLESS SPECIFIED)		DIMENSION STYLE		SCALE	DESIGN UNITS	THIRD ANGLE PROJECTION	
			mm	INCH	MM ONLY	DATE			METRIC	DATE
A	NEW RELEASE EC NO: SH2008-0170 DRWN:DRU CHKD:ROST ZHANG APPR:HWANG	▽=0 ▽=0	4 PLACES	± ---	± ---	DAVID HU	2007/05/08	2:1	METRIC	10MM PITCH PCI-EXPRESS 164CKTS W/RM LEAD-FREE
			3 PLACES	± ---	± ---	CHECKED BY	DATE			
			2 PLACES	± 0.25	± ---	HARVEY	2007/05/08			MOLEX INCORPORATED
			1 PLACE	± ---	± ---	APPROVED BY	DATE			
			ANGULAR ± 3 °			JENNY CHEN	2007/05/08			
			DRAFT WHERE APPLICABLE MUST REMAIN WITHIN DIMENSIONS			SEE TABLE				
						MATERIAL NO.				
						DOCUMENT NO.				
						SD-47505-001				
						SHEET NO.				
						1 OF 4				



- 1.NO TIE BAR PERMITTED FROM CARD EDGE TO LEADING EDGE OF PAD FOR PINS A1 AND "B81".
- 2.CHAMFER EDGES MUST BE FREE OF CUTTING BURRS.
- 3.TO THE PCB LAYOUT:THE HORIZONTAL AXIS FOR THE HOLE PATTERN IS ESTABLISHED BY A LINE THROUGH THE CENTER OF THE TWO Ø2.35 HOLES.
THE VERTICAL AXIS IS 90° TO THE HORIZONTAL AXIS.THE CENTRE OF DATUM Z.

MODULE LAYOUT(MATING PART ONLY)
(TOLERANCE:±0.10MM)

NEW RELEASE EC NO: SH2008-0170 DRWN:DHU CHKD:ROST ZHANG APPR:HWANG	2007/10/15 2007/10/15 2007/11/13	DESCRIPTION REV	QUALITY SYMBOLS	GENERAL TOLERANCES (UNLESS SPECIFIED)	DIMENSION STYLE	SCALE	DESIGN UNITS	THIRD ANGLE PROJECTION																						
			$\nabla = 0$ $\triangle = 0$	<table border="1"> <thead> <tr> <th></th> <th>mm</th> <th>INCH</th> </tr> </thead> <tbody> <tr> <td>4 PLACES</td> <td>± ---</td> <td>± ---</td> </tr> <tr> <td>3 PLACES</td> <td>± ---</td> <td>± ---</td> </tr> <tr> <td>2 PLACES</td> <td>± 0.25</td> <td>± ---</td> </tr> <tr> <td>1 PLACE</td> <td>± ---</td> <td>± ---</td> </tr> </tbody> </table>		mm	INCH	4 PLACES	± ---	± ---	3 PLACES	± ---	± ---	2 PLACES	± 0.25	± ---	1 PLACE	± ---	± ---	MM ONLY	2:1	METRIC								
				mm	INCH																									
			4 PLACES	± ---	± ---																									
3 PLACES	± ---	± ---																												
2 PLACES	± 0.25	± ---																												
1 PLACE	± ---	± ---																												
	<table border="1"> <thead> <tr> <th>DATE</th> <th>TITLE</th> </tr> </thead> <tbody> <tr> <td>2007/05/08</td> <td>1.0MM PITCH PCI-EXPRESS</td> </tr> <tr> <td>2007/05/08</td> <td>164CKTS W/RM</td> </tr> <tr> <td>2007/05/08</td> <td>LEAD-FREE</td> </tr> </tbody> </table>	DATE	TITLE	2007/05/08	1.0MM PITCH PCI-EXPRESS	2007/05/08	164CKTS W/RM	2007/05/08	LEAD-FREE	<table border="1"> <thead> <tr> <th>DRAWN BY</th> <th>DATE</th> <th>TITLE</th> </tr> </thead> <tbody> <tr> <td>DAVID HU</td> <td>2007/05/08</td> <td>1.0MM PITCH PCI-EXPRESS</td> </tr> <tr> <td>CHECKED BY</td> <td>DATE</td> <td></td> </tr> <tr> <td>HARVEY</td> <td>2007/05/08</td> <td></td> </tr> <tr> <td>APPROVED BY</td> <td>DATE</td> <td></td> </tr> <tr> <td>JENNY CHEN</td> <td>2007/05/08</td> <td></td> </tr> </tbody> </table>	DRAWN BY	DATE	TITLE	DAVID HU	2007/05/08	1.0MM PITCH PCI-EXPRESS	CHECKED BY	DATE		HARVEY	2007/05/08		APPROVED BY	DATE		JENNY CHEN	2007/05/08		MOLEX INCORPORATED	SHEET NO. 2 OF 4
DATE	TITLE																													
2007/05/08	1.0MM PITCH PCI-EXPRESS																													
2007/05/08	164CKTS W/RM																													
2007/05/08	LEAD-FREE																													
DRAWN BY	DATE	TITLE																												
DAVID HU	2007/05/08	1.0MM PITCH PCI-EXPRESS																												
CHECKED BY	DATE																													
HARVEY	2007/05/08																													
APPROVED BY	DATE																													
JENNY CHEN	2007/05/08																													
			DRAFT WHERE APPLICABLE MUST REMAIN WITHIN DIMENSIONS	SEE TABLE	DOCUMENT NO. SD-47505-001																									

	10	9	8	7	6	5	4	3	2	1
		MOLEX P/N	HOUSING MATERIAL	HOUSING COLOR	TERMINAL MATERIAL	CONTACT PLATING	SOLDER TAIL PLATING	SOLDER TAIL "D" LENGTH	DESCRIPTION	LATCH TYPE
F		47505-9300	NYLON 46	BLACK	PHOSPHOR BRONZE	GOLD FLASH	100 MICROINCH TIN OVER 50 MICROINCH NICKEL OVER ALL	2.54	TOOLED	FRONT TYPE
	47505-9302					15 MICROINCH				
	47505-9310	NATURAL(WHITE)				GOLD FLASH				
	47505-9312					15 MICROINCH				
E	47505-9320	BLUE (287U)		GOLD FLASH						
	47505-9322			15 MICROINCH						
	47505-9330	GREEN (348C)		GOLD FLASH						
	47505-9332			15 MICROINCH						
	47505-9340	PURPLE (2736U)		GOLD FLASH						
D	47505-9342			15 MICROINCH						
	47505-3303	BLACK		GOLD FLASH						
	47505-3305			15 MICROINCH						
	47505-3313	NATURAL(WHITE)		GOLD FLASH						
C	47505-3315			15 MICROINCH						
	47505-3323	BLUE (287U)		GOLD FLASH						
	47505-3325			15 MICROINCH						
	47505-3333	GREEN (348C)		GOLD FLASH						
	47505-3335			15 MICROINCH						
B	47505-3343	PURPLE (2736U)		GOLD FLASH						
	47505-3345			15 MICROINCH						
								3.10	UNTOOLED	

NEW RELEASE EC NO: SH2008-0170 DRWN:DRU 2007/10/15 CHKD:ROST ZHANG 2007/10/15 APPR:HWANG 2007/11/13	QUALITY SYMBOLS ▽=0 ◻=0	GENERAL TOLERANCES (UNLESS SPECIFIED)		DIMENSION STYLE MM ONLY		SCALE 2:1	DESIGN UNITS METRIC	THIRD ANGLE PROJECTION			
				mm	INCH	DRAWN BY DAVID HU	DATE 2007/05/08	TITLE 1.0MM PITCH PCI-EXPRESS 164CKTS W/RM LEAD-FREE			
				4 PLACES ± ---	± ---	3 PLACES ± ---	± ---	CHECKED BY HARVEY	DATE 2007/05/08	MOLEX INCORPORATED	
				2 PLACES ± 0.25	± ---	1 PLACE ± ---	± ---	APPROVED BY JENNY CHEN	DATE 2007/05/08	DOCUMENT NO. SD-47505-001	SHEET NO. 3 OF 4
A	REV	DRAFT WHERE APPLICABLE MUST REMAIN WITHIN DIMENSIONS		SEE TABLE		THIS DRAWING CONTAINS INFORMATION THAT IS PROPRIETARY TO MOLEX INCORPORATED AND SHOULD NOT BE USED WITHOUT WRITTEN PERMISSION					

10	9	8	7	6	5	4	3	2	1
	MOLEX P/N	HOUSING MATERIAL	HOUSING COLOR	TERMINAL MATERIAL	CONTACT PLATING	SOLDER TAIL PLATING	SOLDER TAIL "D" LENGTH	DESCRIPTION	LATCH TYPE
F	47505-8300	NYLON 46	BLACK	PHOSPHOR BRONZE	GOLD FLASH	100 MICROINCH TIN OVER 50 MICROINCH NICKEL OVER ALL	2.54	TOOLED	BACK TYPE
	47505-8302				15 MICROINCH				
	47505-8310		NATURAL(WHITE)		GOLD FLASH				
	47505-8312				15 MICROINCH				
E	47505-8320		BLUE (287U)		GOLD FLASH				
	47505-8322				15 MICROINCH				
	47505-8330		GREEN (348C)		GOLD FLASH				
	47505-8332				15 MICROINCH				
	47505-8340		PURPLE (2736U)		GOLD FLASH				
D	47505-8342				15 MICROINCH				
	47505-4303		BLACK		GOLD FLASH				
	47505-4305				15 MICROINCH				
	47505-4313		NATURAL(WHITE)		GOLD FLASH				
C	47505-4315				15 MICROINCH				
	47505-4323		BLUE (287U)		GOLD FLASH				
	47505-4325				15 MICROINCH				
	47505-4333		GREEN (348C)		GOLD FLASH				
	47505-4335				15 MICROINCH				
B	47505-4343		PURPLE (2736U)		GOLD FLASH				
	47505-4345				15 MICROINCH				
						3.10		UNTOOLED	

NEW RELEASE EC NO: SH2008-0170 DRWN:DRU 2007/10/15 CHKD:ROST ZHANG 2007/10/15 APPR:HWANG 2007/11/13	QUALITY SYMBOLS ▽=0 ▽=0	GENERAL TOLERANCES (UNLESS SPECIFIED)		DIMENSION STYLE MM ONLY		SCALE 2:1	DESIGN UNITS METRIC	THIRD ANGLE PROJECTION			
								TITLE 1.0MM PITCH PCI-EXPRESS 164CKTS W/RM LEAD-FREE			
									DRAWN BY DATE DAVID HU 2007/05/08		
									CHECKED BY DATE HARVEY 2007/05/08		
								APPROVED BY DATE JENNY CHEN 2007/05/08			
								MATERIAL NO.			
								DOCUMENT NO. SD-47505-001			
								SHEET NO. 4 OF 4			
								DRAFT WHERE APPLICABLE MUST REMAIN WITHIN DIMENSIONS			
								SEE TABLE			
								THIS DRAWING CONTAINS INFORMATION THAT IS PROPRIETARY TO MOLEX INCORPORATED AND SHOULD NOT BE USED WITHOUT WRITTEN PERMISSION			