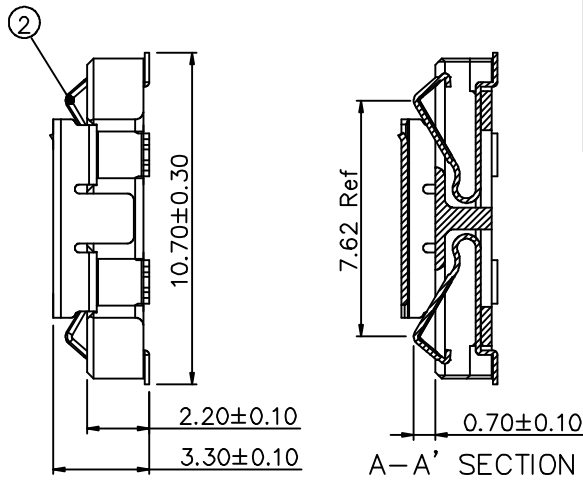
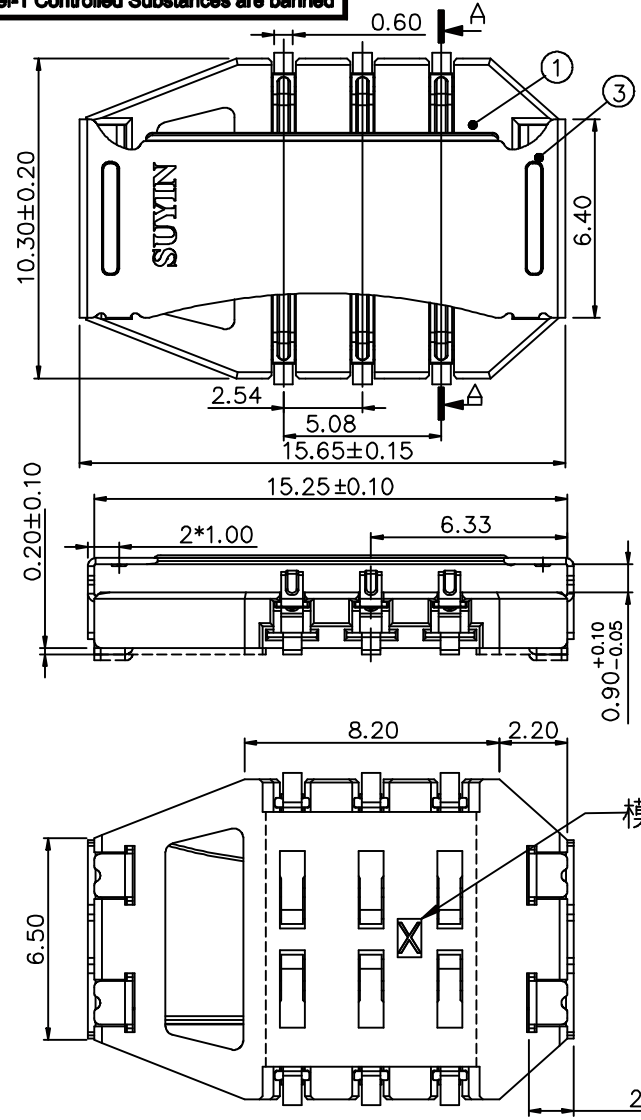


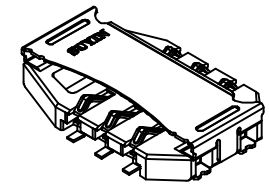
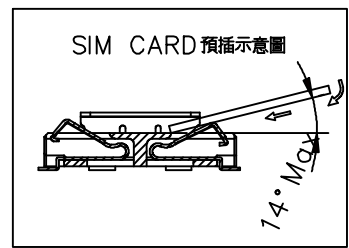
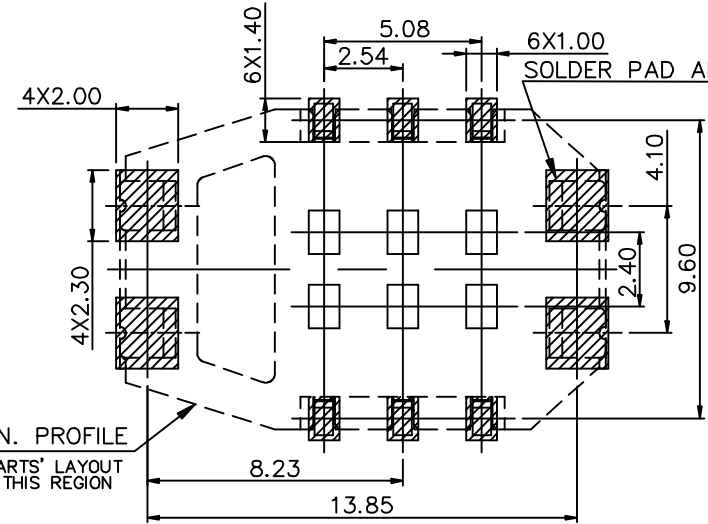


RoHS Compliant
2002/95/EC
HSF

Level-1 Controlled Substances are banned



RECOMMENDED P.C.B LAYOUT (COMPONENT SIDE)
(TOLERANCE = ±0.05)



- 1 NOTES:
254042MA006□□ 16ZL
1. PLATING 1
'G1, -5u" GOLD OVER NICKEL.
'G2, -INDICATE GOLD FLASH
'G3, -10u" GOLD OVER NICKEL.
'G4, -15u" GOLD OVER NICKEL.
'G5, -30u" GOLD OVER NICKEL.
'G6, -50u" GOLD OVER NICKEL.
- 2 FORCE
F=300g MIN.~600g MAX. AT FULL SET
- 3 NOTES:
254042MA006G416ZL SALT WATER
SPRAY DURATION 48HOURS±15MIUNTE

3	SHELL	STAINLESS STEEL	—	N1 PLATED
2	TERMINAL	PHO. BRONZE	—	GOLD PLATED
1	HOUSING	HIGH TEMP PLASTICS	BLACK	UL-94V-0
NO.	DESCRIPTION	MATERIAL	COLOR	REMARK



CUSTOMER COPY	TITLE: SIM CARD CONNECTOR			
PART NO.	254042MA006GX16ZL			
PRODUCT SPEC.	254042MA SERIES			
FILE NAME.	254042MA006GX16ZL-C			
SCALE	4:1	UNIT:mm	A4	SHEET: 1 of 2

DCB-070604-04	PA	07'/06/04	NEW RELEASE	金 劍 蔡志鴻	Angle	±2'	DRAW	金 劍	08'/04/01
	PO	07'/01/18	NEW	李彦慧 簡士鈞	30 ~	±0.50	DESIGN	金 劍	08'/04/01
				張桂華 簡士鈞	10 ~ 30	±0.30	CHECK	周 波	08'/04/01
ECN(DCN) NO.	REV	DATE	DESCRIPTION	CHANGE	APPRO.	GENERAL TOLERANCE UNLESS OTHERWISE NOTED	APPRO.	蔡志鴻	08'/04/01

Original: Draw: 張桂華 Design: 張桂華 Check: 張國倫 Appro: 簡士鈞 發行日號 07'/01/18

070118-BA170