

PLEASE CHECK WWW.MOLEX.COM FOR LATEST PART INFORMATION

Part Number: [0474800001](#)
Status: **Active**
Overview: [battery connectors](#)
Description: 2.00mm (.079") Pitch Battery Connector, SMT, Contact Width 0.60mm (.024"), 4 Circuits, Lead-free

Documents:

[3D Model](#) [Product Specification PS-47480-001 \(PDF\)](#)
[Drawing \(PDF\)](#) [RoHS Certificate of Compliance \(PDF\)](#)

General

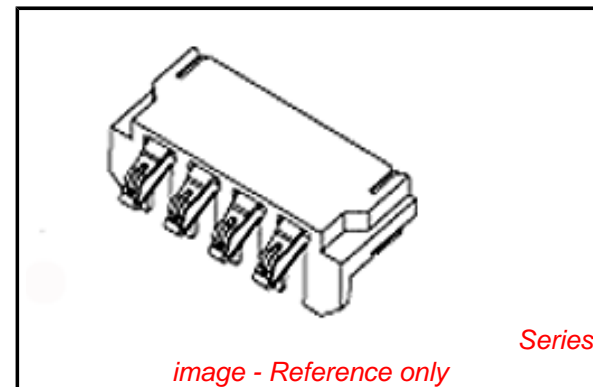
Product Family	PCB Headers
Series	47480
Application	Board-to-Board
Overview	battery connectors
Product Name	Battery Connector

Physical

Breakaway	No
Circuits (Loaded)	4
Circuits (maximum)	4
Color - Resin	Black
Durability (mating cycles max)	5,000
First Mate / Last Break	No
Glow-Wire Compliant	No
Guide to Mating Part	No
Keying to Mating Part	None
Lock to Mating Part	None
Material - Metal	Beryllium Copper
Material - Plating Mating	Gold
Material - Plating Termination	Gold
Material - Resin	High Temperature Thermoplastic
Number of Rows	1
Orientation	Right Angle
PCB Locator	No
PCB Retention	Yes
Packaging Type	Embossed Tape on Reel
Pitch - Mating Interface (in)	0.079 In
Pitch - Mating Interface (mm)	2.00 mm
Pitch - Term. Interface (in)	0.079 In
Pitch - Term. Interface (mm)	2.00 mm
Plating min: Mating (µin)	30
Plating min: Mating (µm)	0.75
Plating min: Termination (µin)	3
Plating min: Termination (µm)	0.08
Polarized to Mating Part	Yes
Polarized to PCB	Yes
Shrouded	No
Stackable	No
Temperature Range - Operating	-20°C to +70°C
Termination Interface: Style	Surface Mount

Electrical

Current - Maximum per Contact	1A
Voltage - Maximum	200V (RMS)



EU RoHS

ELV and RoHS Compliant
REACH SVHC
Contains SVHC: No
Halogen-Free Status

China RoHS



Need more information on product environmental compliance?

Email productcompliance@molex.com
 For a multiple part number RoHS Certificate of Compliance, [click here](#)

Please visit the [Contact Us](#) section for any non-product compliance questions.

Search Parts in this Series
[47480Series](#)

Solder Process Data

Duration at Max. Process Temperature (seconds)	48
Lead-free Process Capability	Reflow Capable (SMT only)
Max. Cycles at Max. Process Temperature	2
Process Temperature max. C	250

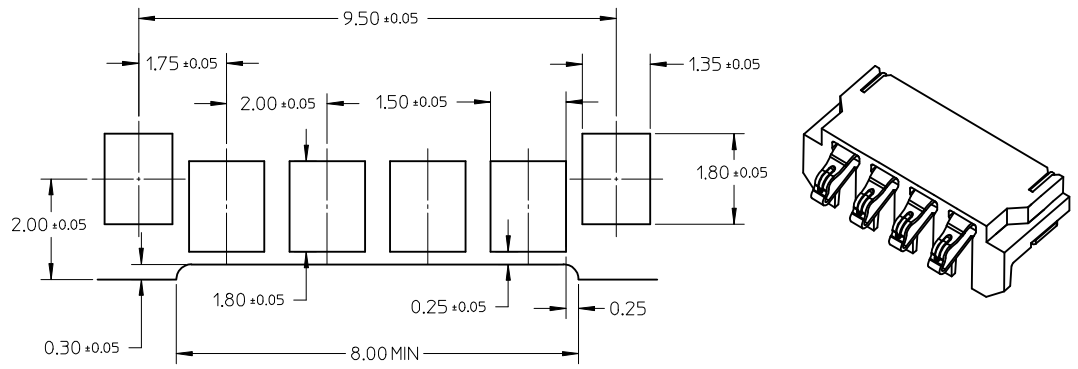
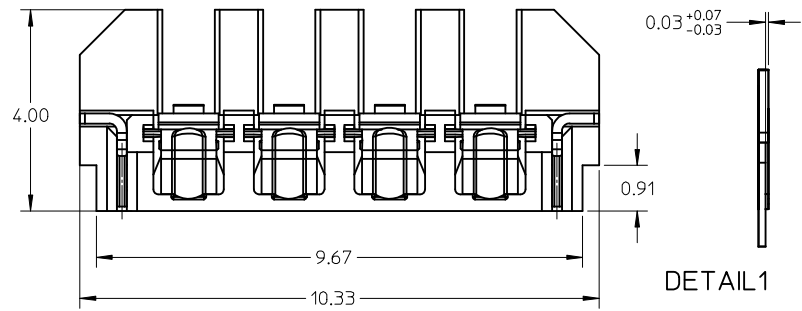
Material Info**Reference - Drawing Numbers**

Packaging Specification	PK-47480-001
Product Specification	PS-47480-001
Sales Drawing	SD-47480-001

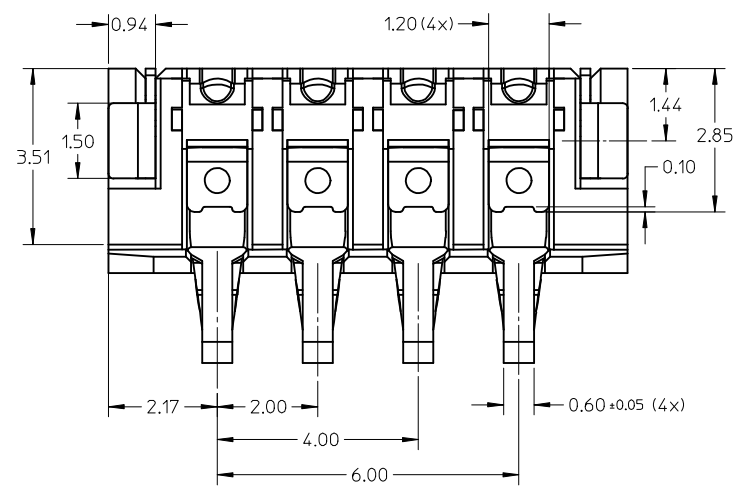
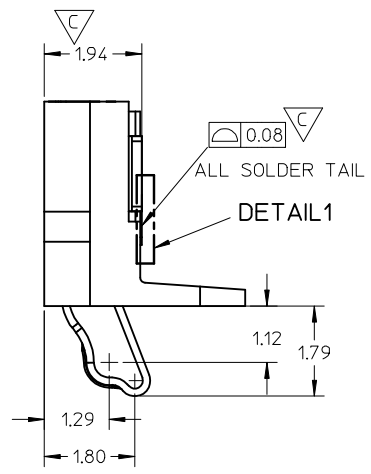
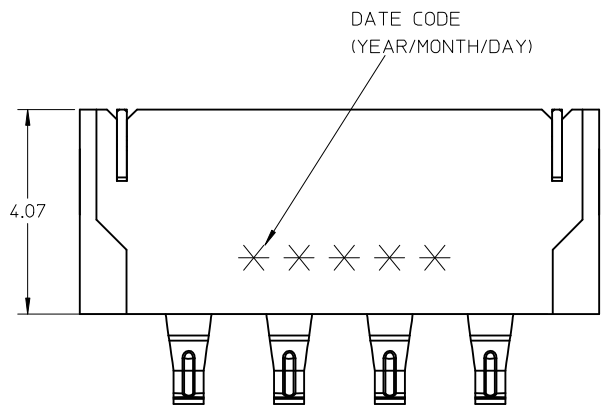
This document was generated on 05/26/2010

PLEASE CHECK WWW.MOLEX.COM FOR LATEST PART INFORMATION

10 9 8 7 6 5 4 3 2 1



RECOMMENDED PCB LAYOUT



- NOTES:
- 1 MATERIAL:
 - TERMINAL : BERYLLIUMCOPPER C17200 190/290 (TM06)
 - HOUSING : HIGH TEMPERATURE THERMAL PLASTIC
 - FITTING NAIL: BRASS C2680
 - 2 FINISH:
 - TERMINAL: 50~150μm NICKEL UNDER PLATED
 - 30μm Min GOLD PLATING ON CONTACT AREA
 - 3μm Min GOLD FLASH ON SOLDERING AREA
 - FITTING NAIL: 100μm Min TIN ALLOY OVER 50μm Min NICKEL OVERALL
 - 3 PRODUCT SPECIFICATION: PS-47480-001
 - 4 PACKAGING INFORMATION: PK-47480-001
 - 5 COMPLIANT TO RoHS DIRECTIVE 2002/95/EC AND ELV DIRECTIVE 2000/53/EC.

REVISED EC NO: SH2010-0090 DRWN: YPWU CH'KD: APPR: WFDENG	2009/09/08 2009/09/14 2009/10/15	DESCRIPTION REV	QUALITY SYMBOLS	GENERAL TOLERANCES (UNLESS SPECIFIED)	DIMENSION STYLE	SCALE	DESIGN UNITS	THIRD ANGLE PROJECTION
	▽=0		mm INCH	MM ONLY	10:1	METRIC	TITLE 4 PIN BATTERY CONNECTOR 2.0MM PITCH	
	▽=2		4 PLACES ± --- ± ---	DRAWN BY DATE	MOLEX INCORPORATED DOCUMENT NO.			
			3 PLACES ± --- ± ---	YWANG 2006/04/05				
	2 PLACES ± 0.13 ± ---	CHECKED BY DATE						
	1 PLACE ± --- ± ---	XIXU 2006/04/06						
		APPROVED BY DATE	ANGULAR ± 1 °	JNCHEN 2006/04/07	SHEET NO. 1 OF 1			
			DRAFT WHERE APPLICABLE MUST REMAIN WITHIN DIMENSIONS	MATERIAL NO.	THIS DRAWING CONTAINS INFORMATION THAT IS PROPRIETARY TO MOLEX INCORPORATED AND SHOULD NOT BE USED WITHOUT WRITTEN PERMISSION			
				474800001	SD-47480-001			

9 8 7 6 5 4 3 2 1