



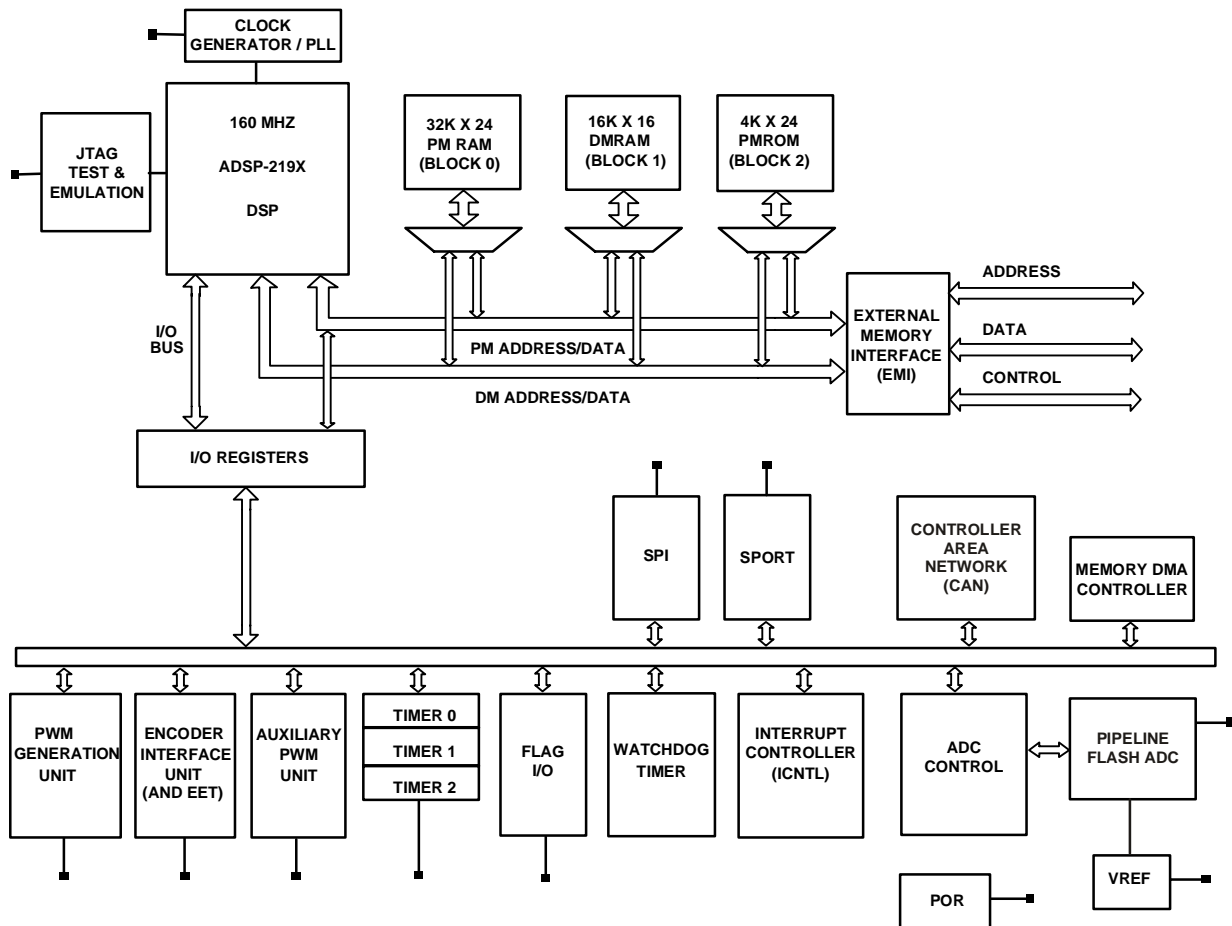
Mixed Signal DSP Controller With CAN

Preliminary Technical Data ADSP-21992

MIXED SIGNAL DSP CONTROLLER FEATURES
 ADSP-219x, 16-bit, Fixed Point DSP Core with up to 160 MIPS sustained performance
 48K Words of On chip RAM, Configured as 32K Words On chip 24-bit Program RAM and 16K Words On chip 16-bit Data RAM
External Memory Interface
 Dedicated Memory DMA Controller for Data/Instruction Transfer between Internal/External Memory
 Programmable PLL and Flexible Clock Generation Circuitry Enables Full speed Operation from Low speed Input Clocks
 IEEE JTAG Standard 1149.1 Test Access Port Supports On chip Emulation and System Debugging

8-Channel, 20 MSPS, 14-bit Analog to Digital Converter System
 Three Phase 16-bit Center Based PWM Generation Unit with 12.5 ns resolution
 Dedicated 32-bit Encoder Interface Unit with Companion Encoder Event Timer
 Dual 16-bit Auxiliary PWM Outputs
 16 General Purpose Flag I/O Pins
 Three Programmable 32-bit Interval Timers
 SPI Communications Port with Master or Slave Operation
 Synchronous Serial Communications Port (SPORT) Capable of Software UART Emulation
 Controller Area Network (CAN) Module Fully Compliant with V2.0B Standard

FUNCTIONAL BLOCK DIAGRAM



REV. PrA

This information applies to a product under development. Its characteristics and specifications are subject to change without notice. Analog Devices assumes no obligation regarding future manufacturing unless otherwise agreed to in writing.

ADSP-21992

For current information contact Analog Devices at (781) 937-1799

August 2002

Integrated Watchdog Timer
Dedicated Peripheral Interrupt Controller with Software Priority Control
Multiple Boot Modes
Precision 1.0V Voltage Reference
Integrated Power-On-Reset (POR) Generator
Flexible Power Management with Selectable Powerdown and Idle Modes
2.5V Internal Operation with 3.3V I/O
Operating Temperature Range of -40°C to +115°C
176 pin LQFP package

TARGET APPLICATIONS

Industrial Motor Drives
Un-Interruptible Power Supplies
Optical Networking Control
Data Acquisition Systems
Test and Measurement Systems
Portable Instrumentation

GENERAL NOTE

This data sheet provides preliminary information for the ADSP-21992 Mixed Signal Digital Signal Processor.

GENERAL DESCRIPTION

The ADSP-21992 is a mixed signal DSP controller based on the ADSP-219x DSP Core, suitable for a variety of high performance Industrial Motor Control and Signal Processing applications that require the combination of a high performance DSP and the mixed signal integration of embedded control peripherals such as analog to digital conversion with communications interfaces such as CAN.

The ADSP-21992 integrates the 160 MIPS, fixed point ADSP-219x family base architecture with a serial port, an SPI compatible port, a DMA controller, three programmable timers, general purpose Programmable Flag pins, extensive interrupt capabilities, on chip program and data memory spaces, and a complete set of embedded control peripherals that permits fast motor control and signal processing in a highly integrated environment.

The ADSP-21992 architecture is code compatible with previous ADSP-217x based ADMCxxx products. Although the architectures are compatible, the ADSP-21992, with ADSP-219x architecture, has a number of enhancements over earlier architectures. The enhancements to computational units, data address generators, and program sequencer make the ADSP-21992 more flexible and easier to program than the previous ADSP-21xx embedded DSPs.

Indirect addressing options provide addressing flexibility—premodify with no update, pre- and post-modify by an immediate 8-bit, two's complement value and base address registers for easier implementation of circular buffering.

The ADSP-21992 integrates 48K words of on chip memory configured as 32K words (24-bit) of program RAM, and 16K words (16-bit) of data RAM.

Fabricated in a high speed, low power, CMOS process, the ADSP-21992 operates with a 6.25 ns instruction cycle time (160 MIPS). All instructions, except two multiword instructions, execute in a single DSP cycle.

The ADSP-21992's flexible architecture and comprehensive instruction set support multiple operations in parallel. For example, in one processor cycle, the ADSP-21992 can:

- Generate an address for the next instruction fetch
- Fetch the next instruction
- Perform one or two data moves
- Update one or two data address pointers
- Perform a computational operation

These operations take place while the processor continues to:

- Receive and transmit data through the serial port
- Receive or transmit data over the SPI port
- Access external memory through the external memory interface
- Decrement the timers
- Operate the embedded control peripherals (ADC, PWM, EIU, etc.)

DSP Core Architecture

- 6.25 ns instruction cycle time (internal), for up to 160 MIPS sustained performance
- ADSP-218x family code compatible with the same easy to use algebraic syntax
- Single cycle instruction execution
- Up to 1 Mwords of addressable memory space with twenty four bits of addressing width
- Dual purpose program memory for both instruction and data storage
- Fully transparent Instruction Cache allows dual operand fetches in every instruction cycle
- Unified memory space permits flexible address generation, using two independent DAG units
- Independent ALU, Multiplier/Accumulator, and barrel Shifter computational units with dual 40-bit accumulators
- Single cycle context switch between two sets of computational and DAG registers
- Parallel execution of computation and memory instructions
- Pipelined architecture supports efficient code execution at speeds up to 160 MIPS
- Register file computations with all non-conditional, non-parallel computational instructions
- Powerful Program Sequencer provides zero overhead looping and conditional instruction execution

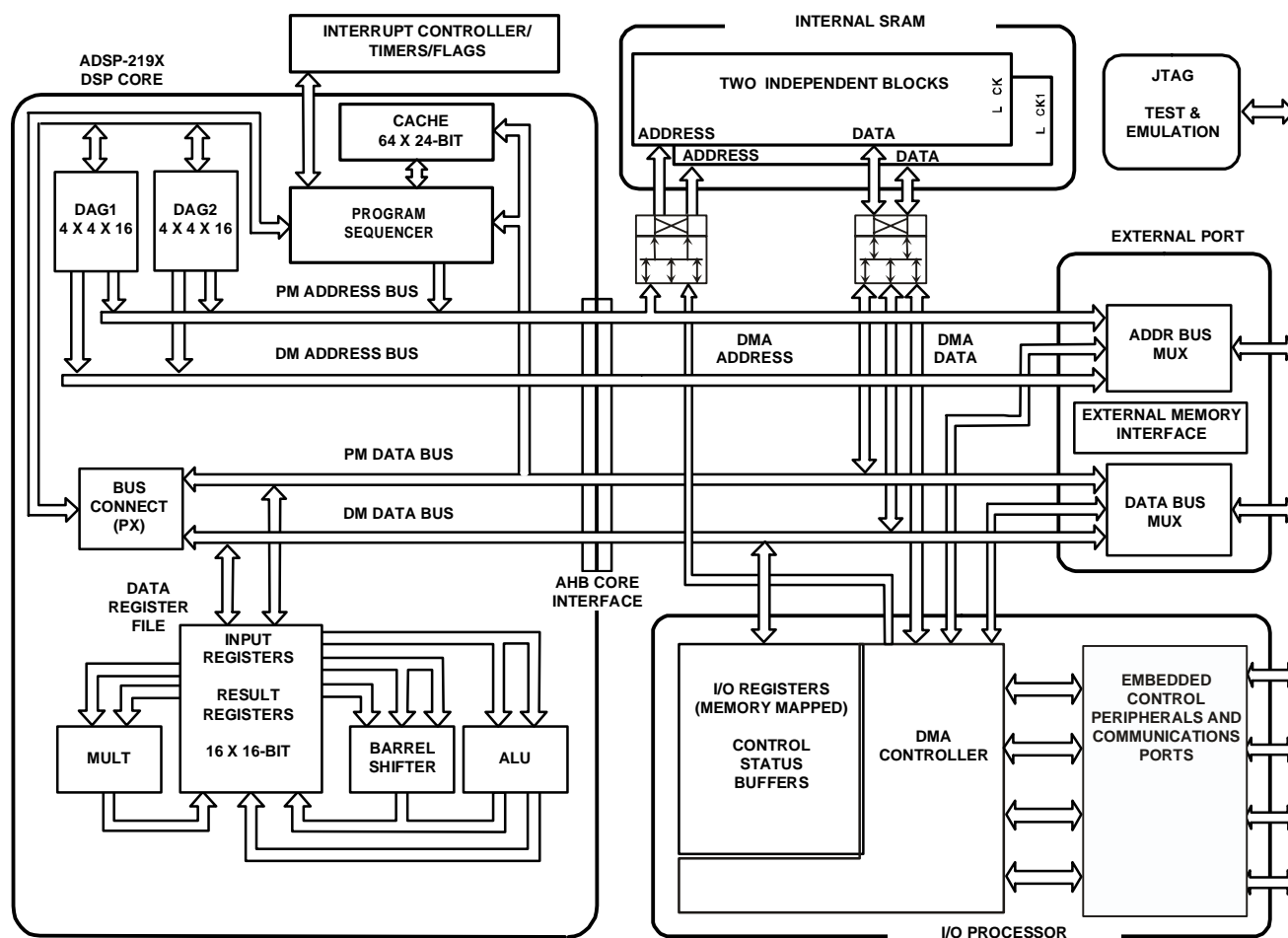


Figure 1. ADSP-21992 DSP Block Diagram

- Architectural enhancements for compiled C code efficiency
- Architectural enhancements beyond ADSP-218x family are supported with instruction set extensions for added registers, ports, and peripherals.

The clock generator module of the ADSP-21992 includes Clock Control logic that allows the user to select and change the main clock frequency. The module generates two output clocks; the DSP core clock, CCLK, and the peripheral clock, HCLK. CCLK can sustain clock values of up to 160 MHz, while HCLK can be equal to CCLK or CCLK/2 for values up to a maximum 80MHz peripheral clock.

The ADSP-21992 instruction set provides flexible data moves and multifunction (one or two data moves with a computation) instructions. Every single word instruction can be executed in a single processor cycle. The ADSP-21992 assembly language uses an algebraic syntax for ease of coding and readability. A comprehensive set of development tools supports program development.

The block diagram [Figure 1](#) shows the architecture of the embedded ADSP-219x core. It contains three independent computational units: the ALU, the multiplier/accumulator (MAC), and the shifter. The computational units process 16-bit data from the register file and have provisions to support multiprecision computations. The ALU performs a standard set of arithmetic and logic operations; division primitives are also supported. The MAC performs single cycle multiply, multiply/add, and multiply/subtract operations. The MAC has two 40-bit accumulators, which help with overflow. The shifter performs logical and arithmetic shifts, normalization, denormalization, and derive exponent operations. The shifter can be used to efficiently implement numeric format control, including multiword and block floating point representations.

Register usage rules influence placement of input and results within the computational units. For most operations, the computational units' data registers act as a data register file, permitting any input or result register to provide input to any unit for a computation. For feedback operations, the computational units let the output (result) of any unit be

ADSP-21992

For current information contact Analog Devices at (781) 937-1799

August 2002

input to any unit on the next cycle. For conditional or multifunction instructions, there are restrictions on which data registers may provide inputs or receive results from each computational unit. For more information, see the *ADSP-219x DSP Instruction Set Reference*.

A powerful program sequencer controls the flow of instruction execution. The sequencer supports conditional jumps, subroutine calls, and low interrupt overhead. With internal loop counters and loop stacks, the ADSP-21992 executes looped code with zero overhead; no explicit jump instructions are required to maintain loops.

Two data address generators (DAGs) provide addresses for simultaneous dual operand fetches (from data memory and program memory). Each DAG maintains and updates four 16-bit address pointers. Whenever the pointer is used to access data (indirect addressing), it is pre- or post-modified by the value of one of four possible modify registers. A length value and base address may be associated with each pointer to implement automatic modulo addressing for circular buffers. Page registers in the DAGs allow circular addressing within 64K word boundaries of each of the 256 memory pages, but these buffers may not cross page boundaries. Secondary registers duplicate all the primary registers in the DAGs; switching between primary and secondary registers provides a fast context switch.

Efficient data transfer in the core is achieved with the use of internal buses:

- Program Memory Address (PMA) Bus
- Program Memory Data (PMD) Bus
- Data Memory Address (DMA) Bus
- Data Memory Data (DMD) Bus
- Direct Memory Access Address Bus
- Direct Memory Access Data Bus

The two address buses (PMA and DMA) share a single external address bus, allowing memory to be expanded off chip, and the two data buses (PMD and DMD) share a single external data bus. Boot memory space and I/O memory space also share the external buses.

Program memory can store both instructions and data, permitting the ADSP-21992 to fetch two operands in a single cycle, one from program memory and one from data memory. The DSP's dual memory buses also let the embedded ADSP-219x core fetch an operand from data memory and the next instruction from program memory in a single cycle.

Memory Architecture

The ADSP-21992 provides 48K words of on chip SRAM memory. This memory is divided into two blocks; a 32K x 24-bit (block 0) and a 16K x 16-bit (block 1). In addition, the ADSP-21992 provides a 4k x 24-bit block of program

memory boot ROM (that is reserved by ADI for boot load routines). The memory map of the ADSP-21992 is illustrated in Figure 2.

As shown in Figure 2, the two internal memory RAM blocks reside in memory page 0. The entire DSP memory map consists of 256 pages (pages 0 to 255), and each page is 64 kWords long. External memory space consists of four memory banks (banks 0-3) and supports a wide variety of memory devices. Each bank is selectable using unique memory select lines ($\overline{MS3} - \overline{MS0}$) and has configurable page boundaries, wait states, and wait state modes. The 4K words of on chip boot ROM populates the top of page 255, while the remaining 254 pages are addressable off chip. I/O memory pages differ from external memory in that they are 1K word long, and the external I/O pages have their own select pin (\overline{IOMS}). Pages 0-31 of I/O memory space reside on chip and contain the configuration registers for the peripherals. Both the ADSP_219x core and DMA capable peripherals can access the DSP's entire memory map.

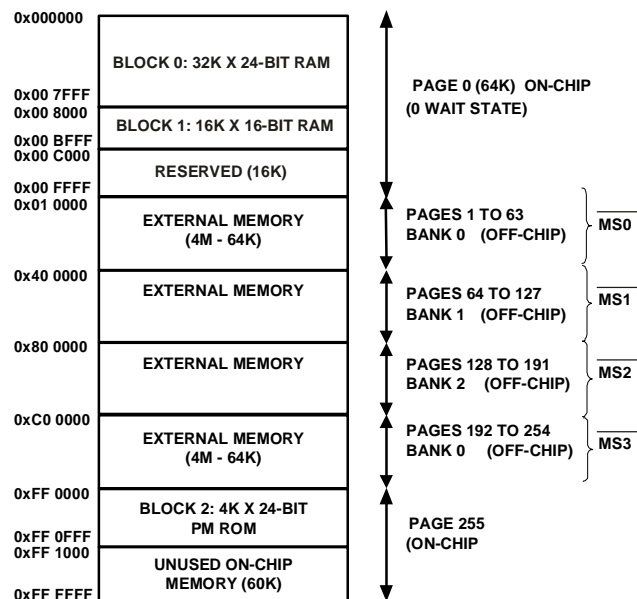


Figure 2. ADSP-21992 DSP Core Memory Map at Reset

NOTE: The physical external memory addresses are limited by 20 address lines, and are determined by the external data width and packing of the external memory space. The Strobe signals ($\overline{MS3} - 0$) can be programmed to allow the user to change starting page addresses at run time.

Internal (On chip) Memory

The ADSP-21992's unified program and data memory space consists of 16M locations that are accessible through two 24-bit address buses, the PMA and DMA buses. The

DSP uses slightly different mechanisms to generate a 24-bit address for each bus. The DSP has three functions that support access to the full memory map.

- The DAGs generate 24-bit addresses for data fetches from the entire DSP memory address range. Because DAG index (address) registers are 16 bits wide and hold the lower 16 bits of the address, each of the DAGs has its own 8-bit page register (DMPGx) to hold the most significant eight address bits. Before a DAG generates an address, the program must set the DAG's DMPGx register to the appropriate memory page. The DMPG1 register is also used as a page register when accessing external memory. The program must set DMPG1 accordingly, when accessing data variables in external memory. A 'C' program macro is provided for setting this register.
- The Program Sequencer generates the addresses for instruction fetches. For relative addressing instructions, the program sequencer bases addresses for relative jumps, calls, and loops on the 24-bit Program Counter (PC). In direct addressing instructions (two word instructions), the instruction provides an immediate 24-bit address value. The PC allows linear addressing of the full 24-bit address range.
- For indirect jumps and calls that use a 16-bit DAG address register for part of the branch address, the Program Sequencer relies on an 8-bit Indirect Jump page (IJPg) register to supply the most significant eight address bits. Before a cross page jump or call, the program must set the program sequencer's IJPg register to the appropriate memory page.

The ADSP-21992 has 4K word of on chip ROM that holds boot routines. The DSP starts executing instructions from the on chip boot ROM, which starts the boot process. [For more information, see Booting Modes on page 14.](#) The on chip boot ROM is located on Page 255 in the DSP's memory space map, starting at address 0xFF0000.

External (Off Chip) Memory

Each of the ADSP-21992's off chip memory spaces has a separate control register, so applications can configure unique access parameters for each space. The access parameters include read and write wait counts, wait state completion mode, I/O clock divide ratio, write hold time extension, strobe polarity, and data bus width. The core clock and peripheral clock ratios influence the external memory access strobe widths. [For more information, see Clock Signals on page 13.](#) The off chip memory spaces are:

- External memory space ($\overline{MS3-0}$ pins)
- I/O memory space (\overline{IOMS} pin)
- Boot memory space (\overline{BMS} pin)

All of these off chip memory spaces are accessible through the External Port, which can be configured for 8-bit or 16-bit data widths.

External Memory Space

External memory space consists of four memory banks. These banks can contain a configurable number of 64 k Word pages. At reset, the page boundaries for external memory have Bank0 containing pages 1 to 63, Bank1 containing pages 64 to 127, Bank2 containing pages 128 to 191, and Bank3 containing pages 192 to 254. The $\overline{MS3-MS0}$ memory bank pins select Banks 3-0, respectively. Both the ADSP-219x core and DMA capable peripherals can access the DSP's external memory space.

All accesses to external memory are managed by the External Memory Interface Unit (EMI).

I/O Memory Space

The ADSP-21992 supports an additional external memory called I/O memory space. The IO space consists of 256 pages, each containing 1024 addresses. This space is designed to support simple connections to peripherals (such as data converters and external registers) or to bus interface ASIC data registers. The first 32K addresses (IO pages 0 to 31) are reserved for on chip peripherals. The upper 224k addresses (IO pages 32 to 255) are available for external peripheral devices. External I/O pages have their own select pin (\overline{IOMS}). The DSP instruction set provides instructions for accessing I/O space.

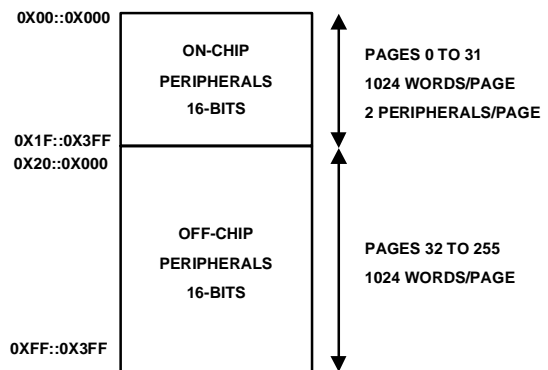


Figure 3. ADSP-21992 I/O Memory Map

Boot Memory Space

Boot memory space consists of one off chip bank with 254 pages. The BMS memory bank pin selects boot memory space. Both the ADSP-219x core and DMA capable periph-

erals can access the DSP's off chip boot memory space. After reset, the DSP always starts executing instructions from the on chip boot ROM.

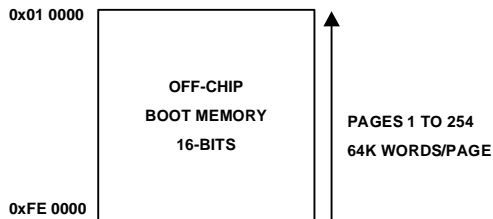


Figure 4. ADSP-21992 Boot Memory Map

Bus Request and Bus Grant

The ADSP-21992 can relinquish control of the data and address buses to an external device. When the external device requires access to the bus, it asserts the bus request (\overline{BR}) signal. The (\overline{BR}) signal is arbitrated with core and peripheral requests. External Bus requests have the lowest priority. If no other internal request is pending, the external bus request will be granted. Due to synchronizer and arbitration delays, bus grants will be provided with a minimum of three peripheral clock delays. The ADSP-21992 will respond to the bus grant by:

- Three stating the data and address buses and the $\overline{MS3-0}$, \overline{BMS} , \overline{IOMS} , \overline{RD} , and \overline{WR} output drivers.
- Asserting the bus grant (\overline{BG}) signal.

The ADSP-21992 will halt program execution if the bus is granted to an external device and an instruction fetch or data read/write request is made to external general purpose or peripheral memory spaces. If an instruction requires two external memory read accesses, the bus will not be granted between the two accesses. If an instruction requires an external memory read and an external memory write access, the bus may be granted between the two accesses. The external memory interface can be configured so that the core will have exclusive use of the interface. DMA and Bus Requests will be granted. When the external device releases \overline{BR} , the DSP releases \overline{BG} and continues program execution from the point at which it stopped.

The bus request feature operates at all times, even while the DSP is booting and \overline{RESET} is active.

The ADSP-21992 asserts the \overline{BGH} pin when it is ready to start another external port access, but is held off because the bus was previously granted. This mechanism can be extended to define more complex arbitration protocols for implementing more elaborate multimaster systems.

DMA Controller

The ADSP-21992 has a DMA controller that supports automated data transfers with minimal overhead for the DSP core. Cycle stealing DMA transfers can occur between the ADSP-21992's internal memory and any of its DMA capable peripherals. Additionally, DMA transfers can be accomplished between any of the DMA capable peripherals and external devices connected to the external memory interface. DMA capable peripherals include the SPORT and SPI ports, and ADC Control module. Each individual DMA capable peripheral has a dedicated DMA channel. To describe each DMA sequence, the DMA controller uses a set of parameters—called a DMA descriptor. When successive DMA sequences are needed, these DMA descriptors can be linked or chained together, so the completion of one DMA sequence auto initiates and starts the next sequence. DMA sequences do not contend for bus access with the DSP core, instead DMAs “steal” cycles to access memory.

All DMA transfers use the DMA bus shown in Figure 1 on page 3. Because all of the peripherals use the same bus, arbitration for DMA bus access is needed. The arbitration for DMA bus access appears in Table 1.

Table 1. I/O Bus Arbitration Priority

DMA Bus Master	Arbitration Priority
SPORT Receive DMA	0—Highest
SPORT Transmit DMA	1
ADC Control DMA	2
SPI0 Receive/Transmit DMA	3
Memory DMA	4—Lowest

DSP Peripherals Architecture

The ADSP-21992 contains a number of special purpose, embedded control peripherals, which can be seen in the Functional Block diagram on page 1. The ADSP-21992 contains a high performance, 8-channel, 14-bit ADC system with dual channel simultaneous sampling ability across 4 pairs of inputs. An internal precision voltage reference is also available as part of the ADC system. In addition, a three phase, 16-bit, center based PWM generation unit can be used to produce high accuracy PWM signals with minimal processor overhead. The ADSP-21992 also contains a flexible incremental encoder interface unit for position sensor feedback; two adjustable frequency auxiliary PWM outputs, 16 lines of digital I/O; a 16-bit watchdog timer; three general purpose timers and an interrupt controller that manages all peripheral interrupts. Finally, the ADSP-21992 contains an integrated power-on-reset (POR) circuit that can be used to generate the required reset signal for the device on power-on.

The ADSP-21992 has an external memory interface that is shared by the DSP's core, the DMA controller, and DMA capable peripherals, which include the ADC, SPORT, and SPI communication ports. The external port consists of a 16-bit data bus, a 20-bit address bus, and control signals.

The data bus is configurable to provide an 8 or 16 bit interface to external memory. Support for word packing lets the DSP access 16- or 24-bit words from external memory regardless of the external data bus width.

The memory DMA controller lets the ADSP-21992 move data and instructions from between memory spaces: internal-to-external, internal-to-internal, and external-to-external. On chip peripherals can also use this controller for DMA transfers.

The embedded ADSP-219x core can respond to up to seventeen interrupts at any given time: three internal (stack, emulator kernel, and power down), two external (emulator and reset), and twelve user defined (peripherals) interrupts. Programmers assign each of the 32 peripheral interrupt requests to one of the 12 user defined interrupts. These assignments determine the priority of each peripheral for interrupt service.

The following sections provide a functional overview of the ADSP-21992 peripherals.

Serial Peripheral Interface (SPI) Port

The Serial Peripheral Interface (SPI) Port provides functionality for a generic configurable serial port interface based on the SPI standard, which enables the DSP to communicate with multiple SPI compatible devices. Key features of the SPI port are:

- Interface to host microcontroller or serial EEPROM
- Master or slave operation (3 Wire Interface MISO, MOSI, SCK)
- Data rates to 20 Mbaud (16-bit baud rate selector)
- 8 or 16-bit transfer
- Programmable clock phase & polarity
- Broadcast Mode - 1 master, multiple slaves
- DMA capability & Dedicated interrupts
- PF0 can be used as Slave Select Input Line
- PF1-PF7 can be used as external Slave Select output

SPI is a 3 wire interface consisting of 2 data pins (MOSI and MISO), one clock pin (SCK), and a single Slave Select input (SPISS0) that is multiplexed with the PF0 Flag IO line and seven Slave Select outputs (SPISEL1 to SPISEL7) that are multiplexed with the PF1 to PF7 Flag IO lines. The SPISS0 input is used to select the ADSP-21992 as a slave to an external master. The SPISEL1 to SPISEL7 outputs can be used by the ADSP-21992 (acting as a master) to select/enable up to seven external slaves in an multi device SPI configuration. In a multimaster or a multi device configuration, all MOSI pins are tied together, all MISO pins are tied together, and all SCK pins are tied together.

During transfers, the SPI port simultaneously transmits and receives by serially shifting data in and out on the serial data line. The serial clock line synchronizes the shifting and sampling of data on the serial data line.

In master mode, the DSP's core performs the following sequence to set up and initiate SPI transfers:

1. Enables and configures the SPI port operation (data size, and transfer format).
2. Selects the target SPI slave with the SPISELx output pin (reconfigured Programmable Flag pin).
3. Defines one or more DMA descriptors in Page 0 of I/O memory space (optional in DMA mode only).
4. Enables the SPI DMA engine and specifies transfer direction (optional in DMA mode only).
5. In non DMA mode only, reads or writes the SPI port receive or transmit data buffer.

The SCK line generates the programmed clock pulses for simultaneously shifting data out on MOSI and shifting data in on MISO. In DMA mode only, transfers continue until the SPI DMA word count transitions from 1 to 0.

In slave mode, the DSP core performs the following sequence to set up the SPI port to receive data from a master transmitter:

1. Enables and configures the SPI slave port to match the operation parameters set up on the master (data size and transfer format) SPI transmitter.
2. Defines and generates a receive DMA descriptor in Page 0 of memory space to interrupt at the end of the data transfer (optional in DMA mode only).
3. Enables the SPI DMA engine for a receive access (optional in DMA mode only).
4. Starts receiving the data on the appropriate SCK edges after receiving an SPI chip select on the SPISS0 input pin (reconfigured Programmable Flag pin) from a master

In DMA mode only, reception continues until the SPI DMA word count transitions from 1 to 0. The DSP core could continue, by queuing up the next DMA descriptor.

A slave mode transmit operation is similar, except the DSP core specifies the data buffer in memory space from which to transmit data, generates and relinquishes control of the transmit DMA descriptor, and begins filling the SPI port data buffer. If the SPI controller is not ready on time to transmit, it can transmit a "zero" word.

DSP Serial Port (SPORT)

The ADSP-21992 incorporates a complete synchronous serial port (SPORT) for serial and multiprocessor communications. The SPORT supports the following features:

- Bidirectional: the SPORT has independent transmit and receive sections.
- Double buffered: the SPORT section (both receive and transmit) has a data register for transferring data words to and from other parts of the processor and a register for shifting data in or out. The double buffering provides additional time to service the SPORT.

- Clocking: the SPORT can use an external serial clock or generate its own in a wide range of frequencies down to 0 Hz. Maximum clock value is 40 MHz for internally generated clock.
- Word length: each SPORT section supports serial data word lengths from three to sixteen bits that can be transferred either MSB first or LSB first.
- Framing: each SPORT section (receive and transmit) can operate with or without frame synchronization signals for each data word; with internally generated or externally generated frame signals; with active high or active low frame signals; with either of two pulse widths and frame signal timing.
- Companding in hardware: each SPORT section can perform A law and μ law companding according to CCITT recommendation G.711.
- Direct Memory Access with single cycle overhead: using the built in DMA master, the SPORT can automatically receive and/or transmit multiple memory buffers of data with an overhead of only one DSP cycle per data word. The on chip DSP via a linked list of memory space resident DMA descriptor blocks can configure transfers between the SPORT and memory space. This chained list can be dynamically allocated and updated.
- Interrupts: each SPORT section (receive and transmit) generates an interrupt upon completing a data word transfer, or after transferring an entire buffer or buffers if DMA is used.
- Multi channel capability: The SPORT can receive and transmit data selectively from channels of a serial bit stream that is time division multiplexed into up to 128 channels. This is especially useful for T1 interfaces or as a network communication scheme for multiple processors. The SPORTs also support T1 and E1 carrier systems.
- Each SPORT channel (TX and RX) supports a DMA buffer of up to 8, 16-bit transfers.
- The SPORT operates at a frequency of up to $\frac{1}{2}$ the clock frequency of the HCLK
- The SPORT is capable of UART software emulation.

Controller Area Network (CAN) Module

The ADSP-21992 contains a Controller Area Network (CAN) Module. Key features of the CAN Module are:

- Conforms to the CAN V2.0B standard.
- Supports both standard (11-bit) and extended (29-bit) Identifiers
- Supports Data Rates of up to 1Mbit/sec (and higher)
- 16 Configurable Mailboxes (All receive or transmit)
- Dedicated Acceptance Mask for each Mailbox
- Data Filtering (first 2 bytes) can be used for Acceptance Filtering

- Error Status and Warning registers
- Transmit Priority by Identifier
- Universal Counter Module
- Readable Receive and Transmit Counters

The CAN Module is a low baud rate serial interface intended for use in applications where baud rates are typically under 1 Mbit/sec. The CAN protocol incorporates a data CRC check, message error tracking and fault node confinement as means to improve network reliability to the level required for control applications.

The CAN module architecture is based around a 16-entry mailbox RAM. The mailbox is accessed sequentially by the CAN serial interface or the host CPU. Each mailbox consists of eight 16-bit data words. The data is divided into fields, which includes a message identifier, a time stamp, a byte count, up to 8 bytes of data, and several control bits. Each node monitors the messages being passed on the network. If the identifier in the transmitted message matches an identifier in one of its mailboxes, then the module knows that the message was meant for it, passes the data into its appropriate mailbox, and signals the host of its arrival with an interrupt.

The CAN network itself is a single, differential pair line. All nodes continuously monitor this line. There is no clock wire. Messages are passed in one of 4 standard message types or frames. Synchronization is achieved by an elaborate sync scheme performed in each CAN receiver. Message arbitration is accomplished 1 bit at a time. A dominant polarity is established for the network. All nodes are allowed to start transmitting at the same time following a frame sync pulse.

As each node transmits a bit, it checks to see if the bus is the same state that it transmitted. If it is, it continues to transmit. If not, then another node has transmitted a dominant bit so the first node knows it has lost the arbitration and it stops transmitting. The arbitration continues, bit by bit until only 1 node is left transmitting.

The electrical characteristics of each network connection are very stringent so the CAN interface is typically divided into 2 parts: a controller and a transceiver. This allows a single controller to support different drivers and CAN networks. The ADSP-21992 CAN module represents only the controller part of the interface. This module's network I/O is a single transmit line and a single receive line, which communicate to a line transceiver.

Analog To Digital Conversion System

The ADSP-21992 contains a fast, high accuracy, multiple input analog to digital conversion system with simultaneous sampling capabilities. This A/D conversion system permits

the fast, accurate conversion of analog signals needed in high performance embedded systems. Key features of the ADC system are:

- 14-bit Pipeline (6-Stage Pipeline) Flash Analog to Digital Converter.
- 8 Dedicated Analog Inputs.
- Dual Channel Simultaneous Sampling Capability.
- Programmable ADC Clock Rate to Maximum of 20 MSPS.
- First Channel ADC Data Valid approximately 400 ns after CONVST (at 20 MSPS).
- All 8 Inputs Converted in approximately 800 ns (at 20 MSPS).
- 2.0 V peak to peak Input Voltage Range.
- Multiple Convert Start Sources.
- Internal or External Voltage Reference.
- Out of Range Detection.
- DMA capable transfers from ADC to memory.

The ADC system is based on a pipeline flash converter core, and contains dual input Sample and Hold amplifiers so that simultaneous sampling of two input signals is supported.

The ADC system provides an analog input voltage range of 2.0Vpp and provides 14-bit performance with a clock rate of up to 20 MHz. The ADC system can be programmed to operate at a clock rate that is programmable from HCLK/4 to HCLK/30, to a maximum of 20 MHz.

The ADC input structure supports 8 independent analog inputs; 4 of which are multiplexed into one sample and hold amplifier (A_SHA) and 4 of which are multiplexed into the other sample and hold amplifier (B_SHA).

At the 20 MHz HCLK rate, the first data value is valid approximately 400 ns after the Convert Start command. All 8 channels are converted in approximately 800 ns.

The core of the ADSP-21992 provides 14-bit data such that the stored data values in the ADC data registers are 14-bits wide.

Voltage Reference

The ADSP-21992 contains an onboard band gap reference that can be used to provide a precise 1.0V output for use by the A/D system and externally on the VREF pin for biasing and level shifting functions. Additionally, the ADSP-21992 may be configured to operate with an external reference applied to the VREF pin, if required.

PWM Generation Unit

Key features of the three phase PWM Generation Unit are:

- 16-bit, center based PWM Generation Unit
- Programmable PWM Pulsewidth, with resolutions to 12.5 ns (at 80 MHz)
- Single/Double Update Modes

- Programmable Dead Time and Switching Frequency
- Two's Complement Implementation permits smooth transition into full ON and full OFF states
- Possibility to synchronize the PWM Generation to an External Synchronization
- Special Provisions for BDCM Operation (Crossover and Output Enable Functions)
- Wide Variety of Special Switched Reluctance (SR) Operating Modes
- Output Polarity and Clock Gating Control
- Dedicated Asynchronous PWM Shutdown Signal
- Multiple shut down sources, independently for each unit

The ADSP-21992 integrates a flexible and programmable, three phase PWM waveform generator that can be programmed to generate the required switching patterns to drive a three phase voltage source inverter for ac induction (ACIM) or permanent magnet synchronous (PMSM) motor control. In addition, the PWM block contains special functions that considerably simplify the generation of the required PWM switching patterns for control of the electronically commutated motor (ECM) or brushless dc motor (BDCM). Tying a dedicated pin, $\overline{\text{PWMSR}}$, to GND, enables a special mode, for switched reluctance motors (SRM).

The six PWM output signals consist of three high side drive pins (AH, BH and CH) and three low side drive signals pins (AL, BL and CL). The polarity of the generated PWM signals may be set via hardware by the PWMPOL input pin, so that either active HI or active LO PWM patterns can be produced.

The switching frequency of the generated PWM patterns is programmable using the 16-bit PWMTM register. The PWM generator is capable of operating in two distinct modes, single update mode or double update mode. In single update mode the duty cycle values are programmable only once per PWM period, so that the resultant PWM patterns are symmetrical about the midpoint of the PWM period. In the double update mode, a second updating of the PWM registers is implemented at the midpoint of the PWM period. In this mode, it is possible to produce asymmetrical PWM patterns. that produce lower harmonic distortion in three phase PWM inverters.

Auxiliary PWM Generation Unit

Key features of the Auxiliary PWM Generation Unit are:

- 16-bit, programmable frequency, programmable duty cycle PWM outputs
- Independent or offset operating modes
- Double buffered control of duty cycle and period registers

- Separate auxiliary PWM synchronization signal and associated interrupt (can be used to trigger ADC Convert Start).
- Separate Auxiliary PWM shutdown signal ($\overline{\text{AUXTRIP}}$).

The ADSP-21992 integrates a two channel, 16-bit, auxiliary PWM output unit that can be programmed with variable frequency, variable duty cycle values and may operate in two different modes, independent mode or offset mode. In independent mode, the two auxiliary PWM generators are completely independent and separate switching frequencies and duty cycles may be programmed for each auxiliary PWM output. In offset mode the switching frequency of the two signals on the AUX0 and AUX1 pins is identical. Bit 4 of the AUXCTRL register places the auxiliary PWM channel pair in independent or offset mode

The Auxiliary PWM Generation unit provides two chip output pins, AUX0 and AUX1 (on which the switching signals appear) and one chip input pin, AUXTRIP, which can be used to shutdown the switching signals, for example in a fault condition.

Encoder Interface Unit

The ADSP-21992 incorporates a powerful encoder interface block to incremental shaft encoders that are often used for position feedback in high performance motion control systems.

- Quadrature rates to 53 MHz (at 80 MHz peripheral clock).
- Programmable filtering of all encoder input signals
- 32-bit encoder counter
- Variety of hardware and software reset modes
- Two registration inputs to latch EIU count value with corresponding registration interrupt
- Status of A/B signals latched with reading of EIU count value.
- Alternative frequency & direction mode
- Single north marker mode
- Count error monitor function with dedicated error interrupt
- Dedicated 16-bit loop timer with dedicated interrupt
- Companion encoder event (1/T) timer unit.

The encoder interface unit (EIU) includes a 32-bit quadrature up/down counter, programmable input noise filtering of the encoder input signals and the zero markers, and has four dedicated chip pins. The quadrature encoder signals are applied at the EIA and EIB pins. Alternatively, a frequency and direction set of inputs may be applied to the EIA and EIB pins. In addition, two north marker/strobe inputs are provided on pins EIZ and EIS. These inputs may be used to latch the contents of the encoder quadrature counter into dedicated registers, EIZLATCH and EISLATCH, on the occurrence of external events at the EIZ

and EIS pins. These events may be programmed to be either rising edge only (latch event) or rising edge if the encoder is moving in the forward direction and falling edge if the encoder is moving in the reverse direction (software latched north marker functionality).

The encoder interface unit incorporates programmable noise filtering on the four encoder inputs to prevent spurious noise pulses from adversely affecting the operation of the quadrature counter. The encoder interface unit operates at a clock frequency equal to the HCLK rate. The encoder interface unit operates correctly with encoder signals at frequencies of up to 13.25 MHz, corresponding to a maximum quadrature frequency of 53 MHz (assuming an ideal quadrature relationship between the input EIA and EIB signals).

The EIU may be programmed to use the north marker on EIZ to reset the quadrature encoder in hardware, if required.

Alternatively, the north marker can be ignored, and the encoder quadrature counter is reset according to the contents of a maximum count register, EIUMAXCNT. There is also a "single north marker" mode available in which the encoder quadrature counter is reset only on the first north marker pulse.

The encoder interface unit can also be made to implement some error checking functions. If an encoder count error is detected (due to a disconnected encoder line, for example), a status bit in the EIUSTAT register is set, and an EIU count error interrupt is generated.

The encoder interface unit of the ADSP-21992 contains a 16-bit loop timer that consists of a timer register, period register and scale register so that it can be programmed to time out and reload at appropriate intervals. When this loop timer times out, an EIU loop timer timeout interrupt is generated. This interrupt could be used to control the timing of speed and position control loops in high performance drives.

The encoder interface unit also includes a high performance encoder event timer (EET) block that permits the accurate timing of successive events of the encoder inputs. The EET can be programmed to time the duration between up to 255 encoder pulses and can be used to enhance velocity estimation, particularly at low speeds of rotation.

Flag I/O (FIO) Peripheral Unit

The FIO module is a generic parallel I/O interface that supports sixteen bidirectional multifunction flags or general purpose digital I/O signals (PF15-PF0).

All sixteen FLAG bits can be individually configured as an input or output based on the content of the direction (DIR) register, and can also be used as an interrupt source for one of two FIO interrupts. When configured as input, the input

signal can be programmed to set the FLAG on either a level (level sensitive input/interrupt) or an edge (edge sensitive input/interrupt).

The FIO module can also be used to generate an asynchronous unregistered wake up signal FIO_WAKEUP for DSP core wake up after power down.

The FIO Lines, PF7 - PF1 can also be configured as external slave select outputs for the SPI Communications Port, while PF0 can be configured to act as a Slave select input.

The FIO Lines can be configured to act as a PWM shutdown source for the three phase PWM generation unit of the ADSP-21992.

Watchdog Timer

The ADSP-21992 integrates a watchdog timer that can be used as a protection mechanism against unintentional software events. It can be used to cause a complete DSP and peripheral reset in such an event. The watchdog timer consists of a 16-bit timer that is clocked at the external clock rate (CLKIN or crystal input frequency).

In order to prevent an unwanted timeout or reset, it is necessary to periodically write to the watchdog timer register. During abnormal system operation, the watchdog count will eventually decrement to 0 and a watchdog timeout will occur. In the system, the watchdog timeout will cause a full reset of the DSP core and peripherals.

General Purpose Timers

The ADSP-21992 contains a general purpose timer unit that contains three identical 32-bit timers. The three programmable interval timers (Timer0, Timer1 and Timer2) generate periodic interrupts. Each timer can be independently set to operate in one of three modes:

- Pulse Waveform Generation (PWM_OUT) mode
- Pulse Width Count/Capture (WDTH_CAP) mode
- External Event Watchdog (EXT_CLK) mode

Each Timer has one bidirectional chip pin, TMR2-TMR0. For each timer, the associated pin is configured as an output pin in PWM_OUT Mode and as input pin in WDTH_CAP and EXT_CLK Modes.

Interrupts

The interrupt controller lets the DSP respond to 17 interrupts with minimum overhead. The DSP core implements an interrupt priority scheme as shown in Table 2. Applications can use the unassigned slots for software and

peripheral interrupts. The Peripheral Interrupt Controller is used to assign the various peripheral interrupts to the 12 user assignable interrupts of the DSP core.

Table 2. Interrupt Priorities/Addresses

Interrupt	IMASK/ IRPTL	Vector Address
Emulator (NMI) —Highest Priority	NA	NA
Reset (NMI)	0	0x00 0000
Power Down (NMI)	1	0x00 0020
Loop and PC Stack	2	0x00 0040
Emulation Kernel	3	0x00 0060
User Assigned Interrupt (USR0)	4	0x00 0080
User Assigned Interrupt (USR1)	5	0x00 00A0
User Assigned Interrupt (USR2)	6	0x00 00C0
User Assigned Interrupt (USR3)	7	0x00 00E0
User Assigned Interrupt (USR4)	8	0x00 0100
User Assigned Interrupt (USR5)	9	0x00 0120
User Assigned Interrupt (USR6)	10	0x00 0140
User Assigned Interrupt (USR7)	11	0x00 0160
User Assigned Interrupt (USR8)	12	0x00 0180
User Assigned Interrupt (USR9)	13	0x00 01A0
User Assigned Interrupt (USR10)	14	0x00 01C0
User Assigned Interrupt (USR11)	15	0x00 01E0
—Lowest Priority		

There is no assigned priority for the peripheral interrupts after reset. To assign the peripheral interrupts a different priority, applications write the new priority to their corresponding control bits (determined by their ID) in the Interrupt Priority Control register.

Interrupt routines can either be nested with higher priority interrupts taking precedence or processed sequentially. Interrupts can be masked or unmasked with the IMASK register. Individual interrupt requests are logically ANDed with the bits in IMASK; the highest priority unmasked interrupt is then selected. The emulation, power down, and reset interrupts are nonmaskable with the IMASK register, but software can use the DIS INT instruction to mask the power down interrupt.

The Interrupt Control (ICNTL) register controls interrupt nesting and enables or disables interrupts globally.

The IRPTL register is used to force and clear interrupts. On chip stacks preserve the processor status and are automatically maintained during interrupt handling. To support interrupt, loop, and subroutine nesting, the PC stack is 33 levels deep, the loop stack is eight levels deep, and the status stack is 16 levels deep. To prevent stack overflow, the PC stack can generate a stack level interrupt if the PC stack falls below three locations full or rises above 28 locations full.

The following instructions globally enable or disable interrupt servicing, regardless of the state of IMASK.

```
ENA INT;
DIS INT;
```

At reset, interrupt servicing is disabled.

For quick servicing of interrupts, a secondary set of DAG and computational registers exist. Switching between the primary and secondary registers lets programs quickly service interrupts, while preserving the state of the DSP.

Peripheral Interrupt Controller

The Peripheral Interrupt Controller is a dedicated peripheral unit of the ADSP-21992 (accessed via IO mapped registers). The function of the peripheral interrupt controller is to manage the connection of up to 32 peripheral interrupt requests to the DSP core.

For each peripheral interrupt source, there is a unique 4-bit code that allows the user to assign the particular peripheral interrupt to any one of the 12 user assignable interrupts of the embedded ADSP-219x core. Therefore, the peripheral interrupt controller of the ADSP-21992 contains 8, 16-bit Interrupt Priority Registers (Interrupt Priority Register 0 (IPR0) to Interrupt Priority Register 7 (IPR7)).

Each Interrupt Priority Register contains a four 4-bit codes; one specifically assigned to each peripheral interrupt. The user may write a value between 0x0 and 0xB to each 4-bit location in order to effectively connect the particular interrupt source to the corresponding user assignable interrupt of the ADSP-219x core.

Writing a value of 0x0 connects the peripheral interrupt to the USR0 user assignable interrupt of the ADSP-219x core while writing a value of 0xB connects the peripheral interrupt to the USR11 user assignable interrupt. The core interrupt USR0 is the highest priority user interrupt, while USR11 is the lowest priority. Writing a value between 0xC and 0xF effectively disables the peripheral interrupt by not connecting it to any ADSP-219x core interrupt input. The user may assign more than one peripheral interrupt to any given ADSP-219x core interrupt. In that case, the onus is on the user software in the interrupt vector table to determine the exact interrupt source through reading status bits etc.

This scheme permits the user to assign the number of specific interrupts that are unique to their application to the interrupt scheme of the ADSP-219x core. The user can then use the existing interrupt priority control scheme to dynamically control the priorities of the 12 core interrupts.

Low Power Operation

The ADSP-21992 has four low power options that significantly reduce the power dissipation when the device operates under standby conditions. To enter any of these modes, the DSP executes an IDLE instruction. The ADSP-21992 uses the configuration of the PD, STCK, and STALL bits in the PLLCTL register to select between the low power modes as the DSP executes the IDLE instruction. Depending on the mode, an IDLE shuts off clocks to different parts of the DSP in the different modes. The low power modes are:

- Idle
- Power Down Core
- Power Down Core/Peripherals
- Power Down All

Idle Mode

When the ADSP-21992 is in Idle mode, the DSP core stops executing instructions, retains the contents of the instruction pipeline, and waits for an interrupt. The core clock and peripheral clock continue running.

To enter Idle mode, the DSP can execute the IDLE instruction anywhere in code. To exit Idle mode, the DSP responds to an interrupt and (after two cycles of latency) resumes executing instructions.

Power down Core Mode

When the ADSP-21992 is in Power Down Core mode, the DSP core clock is off, but the DSP retains the contents of the pipeline and keeps the PLL running. The peripheral bus keeps running, letting the peripherals receive data.

To exit Power Down Core mode, the DSP responds to an interrupt and (after two cycles of latency) resumes executing instructions.

Power Down Core/Peripherals Mode

When the ADSP-21992 is in Power Down Core/Peripherals mode, the DSP core clock and peripheral bus clock are off, but the DSP keeps the PLL running. The DSP does not retain the contents of the instruction pipeline. The peripheral bus is stopped, so the peripherals cannot receive data.

To exit Power Down Core/Peripherals mode, the DSP responds to an interrupt and (after five to six cycles of latency) resumes executing instructions.

Power Down All Mode

When the ADSP-21992 is in Power Down All mode, the DSP core clock, the peripheral clock, and the PLL are all stopped. The DSP does not retain the contents of the instruction pipeline. The peripheral bus is stopped, so the peripherals cannot receive data.

To exit Power Down Core/Peripherals mode, the DSP responds to an interrupt and (after 500 cycles to re-stabilize the PLL) resumes executing instructions.

Clock Signals

The ADSP-21992 can be clocked by a crystal oscillator or a buffered, shaped clock derived from an external clock oscillator. If a crystal oscillator is used, the crystal should be connected across the CLKIN and XTAL pins, with two capacitors connected as shown in Figure 5. Capacitor values are dependent on crystal type and should be specified by the crystal manufacturer. A parallel resonant, fundamental frequency, microprocessor grade crystal should be used for this configuration.

If a buffered, shaped clock is used, this external clock connects to the DSP's CLKIN pin. CLKIN input cannot be halted, changed, or operated below the specified frequency during normal operation. This clock signal should be a TTL compatible signal. When an external clock is used, the XTAL input must be left unconnected.

The DSP provides a user programmable $1\times$ to $32\times$ multiplication of the input clock, including some fractional values, to support 128 external to internal (DSP core) clock ratios. The BYPASS pin, and MSEL6–0 and DF bits, in the PLL configuration register, decide the PLL multiplication factor at reset. At runtime, the multiplication factor can be controlled in software. To support input clocks greater than 100 MHz, the PLL uses an additional bit (DF). If the input clock is greater than 100 MHz, DF must be set. If the input clock is less than 100 MHz, DF must be cleared. For clock multiplier settings, see the ADSP-21992 *DSP Hardware Reference Manual*.

The peripheral clock is supplied to the CLKOUT pin.

All on chip peripherals for the ADSP-21992 operate at the rate set by the peripheral clock. The peripheral clock (HCLK) is either equal to the core clock rate or one half the DSP core clock rate (CCLK). This selection is controlled by the IOSEL bit in the PLLCTL register. The maximum

core clock is 160 MHz, and the maximum peripheral clock is 80 MHz—the combination of the input clock and core/peripheral clock ratios may not exceed these limits.

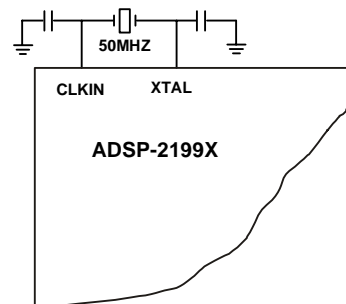


Figure 5. External Crystal Connections

Reset and Power On Reset (POR)

The $\overline{\text{RESET}}$ pin initiates a complete hardware reset of the ADSP-21992 when pulled low. The $\overline{\text{RESET}}$ signal must be asserted when the device is powered up to assure proper initialization. The ADSP-21992 contains an integrated power on reset (POR) circuit that provides an output reset signal, $\overline{\text{POR}}$, from the ADSP-21992 on power up and if the power supply voltage falls below the threshold level. The ADSP-21992 may be reset from an external source using the $\overline{\text{RESET}}$ signal or alternatively the internal power on reset circuit may be used by connecting the $\overline{\text{POR}}$ pin to the $\overline{\text{RESET}}$ pin. During power up the $\overline{\text{RESET}}$ line must be activated for long enough to allow the DSP core's internal clock to stabilize. The power up sequence is defined as the total time required for the crystal oscillator to stabilize after a valid VDD is applied to the processor and for the internal phase locked loop (PLL) to lock onto the specific crystal frequency. A minimum of 2000 cycles will ensure that the PLL has locked (this does not include the crystal oscillator start up time).

The $\overline{\text{RESET}}$ input contains some hysteresis. If using an RC circuit to generate your $\overline{\text{RESET}}$ signal, the circuit should use an external Schmidt trigger.

The master reset sets all internal stack pointers to the empty stack condition, masks all interrupts, and resets all registers to their default values (where applicable). When $\overline{\text{RESET}}$ is released, if there is no pending bus request, program control jumps to the location of the on chip boot ROM (0xFF0000) and the booting sequence is performed.

Power Supplies

The ADSP-21992 has separate power supply connections for the internal (V_{DDINT}) and external (V_{DDEXT}) power supplies. The internal supply must meet the 2.5 V requirement. The external supply must be connected to a 3.3 V supply. All external supply pins must be connected to the same supply.

Booting Modes

The ADSP-21992 supports a number of different boot modes that are controlled by the three dedicated hardware boot mode control pins (BMODE2, BMODE1 and BMODE0). The use of 3 boot mode control pins means that up to 8 different boot modes are possible. Of these only 5 modes are valid on the ADSP-21992. The ADSP-21992 exposes the boot mechanism to software control by providing a nonmaskable boot interrupt that vectors to the start of the on chip ROM memory block (at address 0xFF0000). A boot interrupt is automatically initiated following either a hardware initiated reset, via the $\overline{\text{RESET}}$

pin, or a software initiated reset, via writing to the Software Reset register. Following either a hardware or a software reset, execution always starts from the boot ROM at address 0xFF0000, irrespective of the settings of the BMODE2, BMODE1 and BMODE0 pins. The dedicated BMODE2, BMODE1 and BMODE0 pins are sampled during hardware reset.

The particular boot mode for the ADSP-21992 associated with the settings of the BMODE2, BMODE1, BMODE0 pins is defined in Table 1.

Table 3. Summary of Boot Modes for ADSP-21992

Boot Mode	BMODE2	BMODE1	BMODE0	Function
0	0	0	0	Illegal – Reserved
1	0	0	1	Boot from External 8-bit Memory over EMI
2	0	1	0	Execute from External 8-bit Memory
3	0	1	1	Execute from External 16-bit Memory
4	1	0	0	Boot from SPI0 \leq 4 kbits
5	1	0	1	Boot from SPI0 $>$ 4kbits
6	1	1	0	Illegal – Reserved
7	1	1	1	Illegal – Reserved

Instruction Set Description

The ADSP-21992 assembly language instruction set has an algebraic syntax that was designed for ease of coding and readability. The assembly language, which takes full advantage of the processor's unique architecture, offers the following benefits:

- ADSP-219x assembly language syntax is a superset of and source code compatible (except for two data registers and DAG base address registers) with ADSP-21xx family syntax. It may be necessary to restructure ADSP-21xx programs to accommodate the ADSP-21992's unified memory space and to conform to its interrupt vector map.
- The algebraic syntax eliminates the need to remember cryptic assembler mnemonics. For example, a typical arithmetic add instruction, such as $\text{AR} = \text{AX0} + \text{AY0}$, resembles a simple equation.
- Every instruction, but two, assembles into a single, 24-bit word that can execute in a single instruction cycle. The exceptions are two dual word instructions. One writes 16- or 24-bit immediate data to memory, and the other is an absolute jump/call with the 24-bit address specified in the instruction.
- Multifunction instructions allow parallel execution of an arithmetic, MAC, or shift instruction with up to two fetches or one write to processor memory space during a single instruction cycle.
- Program flow instructions support a wider variety of conditional and unconditional jumps/calls and a larger set of conditions on which to base execution of conditional instructions.

DEVELOPMENT TOOLS

The ADSP-21992 is supported with a complete set of software and hardware development tools, including Analog Devices' emulators and VisualDSP® development environment. The same emulator hardware that supports other ADSP-219x DSPs, also fully emulates the ADSP-21992.

The VisualDSP project management environment lets programmers develop and debug an application. This environment includes an easy-to-use assembler that is based on an algebraic syntax; an archiver (librarian/library builder); a linker; a loader; a cycle-accurate, instruction-level simulator; a C/C++ compiler; and a C/C++ run-time library that includes DSP and mathematical functions. Two key points for these tools are:

- Compiled ADSP-219x C/C++ code efficiency—the compiler has been developed for efficient translation of C/C++ code to ADSP-219x assembly. The DSP has architectural features that improve the efficiency of compiled C/C++ code.
- ADSP-218x family code compatibility—The assembler has legacy features to ease the conversion of existing ADSP-218x applications to the ADSP-219x.

Debugging both C/C++ and assembly programs with the VisualDSP debugger, programmers can:

- View mixed C/C++ and assembly code (interleaved source and object information)
- Insert break points
- Set conditional breakpoints on registers, memory, and stacks

- Trace instruction execution
- Profile program execution
- Fill and dump memory
- Source level debugging
- Create custom debugger windows

The VisualDSP IDE lets programmers define and manage DSP software development. Its dialog boxes and property pages let programmers configure and manage all of the ADSP-219x development tools, including the syntax highlighting in the VisualDSP editor. This capability permits:

- Control how the development tools process inputs and generate outputs.
- Maintain a one-to-one correspondence with the tool's command line switches.

Analog Devices DSP emulators use the IEEE 1149.1 JTAG test access port of the ADSP-21992 processor to monitor and control the target board processor during emulation. The emulator provides full-speed emulation, allowing inspection and modification of memory, registers, and processor stacks. Nonintrusive in-circuit emulation is assured by the use of the processor's JTAG interface—the emulator does not affect target system loading or timing.

In addition to the software and hardware development tools available from Analog Devices, third parties provide a wide range of tools supporting the ADSP-219x processor family. Hardware tools include ADSP-219x PC plug-in cards. Third Party software tools include DSP libraries, real-time operating systems, and block diagram design tools.

Designing an Emulator Compatible DSP Board (Target)

The White Mountain DSP (Product Line of Analog Devices, Inc.) family of emulators are tools that every DSP developer needs to test and debug their hardware and software system. Analog Devices has supplied an IEEE 1149.1 JTAG Test Access Port (TAP) on each JTAG DSP. The emulator uses the TAP to access the internals of the DSP, allowing the developer to load code, set breakpoints, observe variables, observe memory, examine registers, etc. The DSP must be halted to send data and commands, but once an operation is completed by the emulator, the DSP system is set running at full speed with no impact on system timing.

To use these emulators, the target's design must include the interface between an Analog Devices JTAG DSP and the emulation header on a custom DSP target board. The following sections provide the guidelines for design that help eliminate possible JTAG emulation port problems.

Target Board Connector

The emulator interface to an ADI JTAG DSP is a 14-pin header, as shown in Figure 6. The customer must supply this header on their target board in order to communicate with the emulator. The interface consists of a standard dual row 0.025" square post header, set on 0.1" x 0.1" spacing,

with a minimum post length of 0.235". Pin 3 is the key position used to prevent the pod from being inserted backwards. This pin must be clipped on the target board.

Also, the clearance (length, width, and height) around the header must be considered. Leave a clearance of at least 0.15" and 0.10" around the length and width of the header, and reserve a height clearance to attach and detach the pod connector. For more information, see [Layout Requirements on page 17](#).

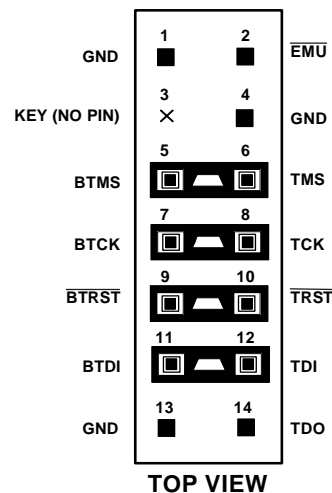


Figure 6. JTAG Target Board Connector for JTAG Equipped Analog Devices DSP (Jumpers in Place)

As can be seen in Figure 6, there are two sets of signals on the header. There are the standard JTAG signals TMS, TCK, TDI, TDO, $\overline{\text{TRST}}$ and $\overline{\text{EMU}}$ used for emulation purposes (via an emulator). There are also secondary JTAG signals BTMS, BTCK, BTDI, and $\overline{\text{BTRST}}$ that are optionally used for board-level (boundary scan) testing. The "B" signals would be connected to a separate on-board JTAG boundary scan controller if used. Most customers will never use the "B" signals. If they will not be used, tie all of them to ground as shown in figure 2.

Note: BTCK can alternately be pulled up (for some older silicon) to VDD (+5V, +3.3V, or +2.5V) using a 4.7K Ω resistor, as described in previous documents. Tying the signal to ground is universal and will work for all silicon.

When the emulator is not connected to this header, place jumpers across BTMS, BTCK, $\overline{\text{BTRST}}$, and BTDI as shown in Figure 7. This holds the JTAG signals in the correct state to allow the DSP to run free. Remove all the jumpers when connecting the emulator to the JTAG header.

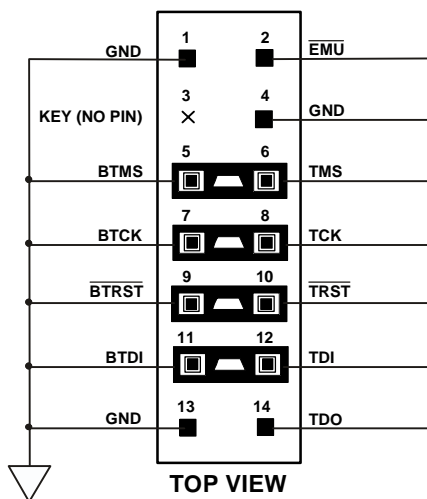


Figure 7. JTAG Target Board Connector With No Local Boundary Scan

The state of each standard JTAG signal can be found in Table 4.

Table 4. State of Standard JTAG Signals¹

Signal	Description	Emulator	DSP
TMS	Test Mode Select	O	I
TCK	Test Clock (10 MHz)	O	I
$\overline{\text{TRST}}$	Test Reset	O	I
TDI	Test Data In	O	I
TDO	Test Data Out	I	O
$\overline{\text{EMU}}$	Emulation Pin	I	O, o/d

¹O = Output, I = Input, o/d = Open Drain

The DSP CLKIN signal is the clock signal line (typically 30 MHz or greater) that connects an oscillator to all DSPs in multiple DSP systems requiring synchronization. For synchronous DSP operations to work correctly the CLKIN signal on all the DSPs must be the same signal and the skew between them must be minimal (use clock drivers, or other means) – see the DSP users guide for more details on CLKIN.

Note that the CLKIN signal is not used by the emulator and can cause noise problems if connected to the JTAG header. Legacy documents show it connected to pin 4 of the JTAG header. Pin-4 should be tied to ground on the 14-pin JTAG header (do not connect the JTAG header pin to the DSP CLKIN signal). If you have already connected it to the JTAG header pin, and are experiencing noise from this signal, simply clip this pin on the 14-pin JTAG header.

The final connections between a single DSP target and the emulation header (within 6 inches) are shown in Figure 8. A 4.7K Ω pull-up resistor has been added on TCK, TDI and TMS chain for increased noise resistance.

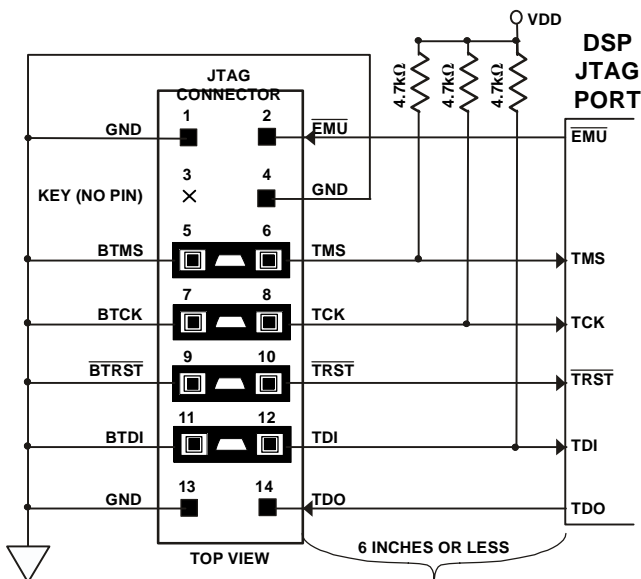


Figure 8. Single-DSP JTAG-Connections, Unbuffered

Should your design use more than one DSP (or other JTAG device in the scan chain), or if your JTAG header is more than 6 inches from the DSP, use a buffered connection scheme as shown in Figure 9 (no local boundary scan mode shown). To keep signal skew to a minimum, be sure the buffers are all in the same physical package (typical chips have 6, 8, or 16 drivers). Using a buffer that has built in series resistors such as the 74ABT2244 family can help reduce ringing on the JTAG signal lines. For low voltage applications (3.3V, 2.5V, and 1.8V I/O), the 74ALVT, and 74AVC logic families are a good starting point. Also, note the position of the pull-up resistor on $\overline{\text{EMU}}$. This is required since the $\overline{\text{EMU}}$ line is an open drain signal.

Important: If you have more than one DSP (or JTAG device) on your target (in the scan chain), it is imperative that you buffer the JTAG header. This will keep the signals clean and avoid noise problems that occur with longer signal traces (ultimately resulting in reliable emulator operation).

Although the theoretical number of devices that can be supported (by the software) in one JTAG scan chain is quite large (50 devices or more) it is not recommended that you use more than eight physical devices in one scan chain. (A physical device could however contain many JTAG devices such as inside a multi-chip module). The recommendation of not more than eight physical devices is mostly due to the transmission line effects that appear in long signal traces, and based on some field-collected empirical data. The best approach for large numbers of physical devices is to break the chain into several smaller independent chains, each with their own JTAG header and buffer. If this is not possible, at least add some jumpers that can reduce the number of devices in one chain for debug purposes, and pay special attention in the layout stage for transmission line effects.

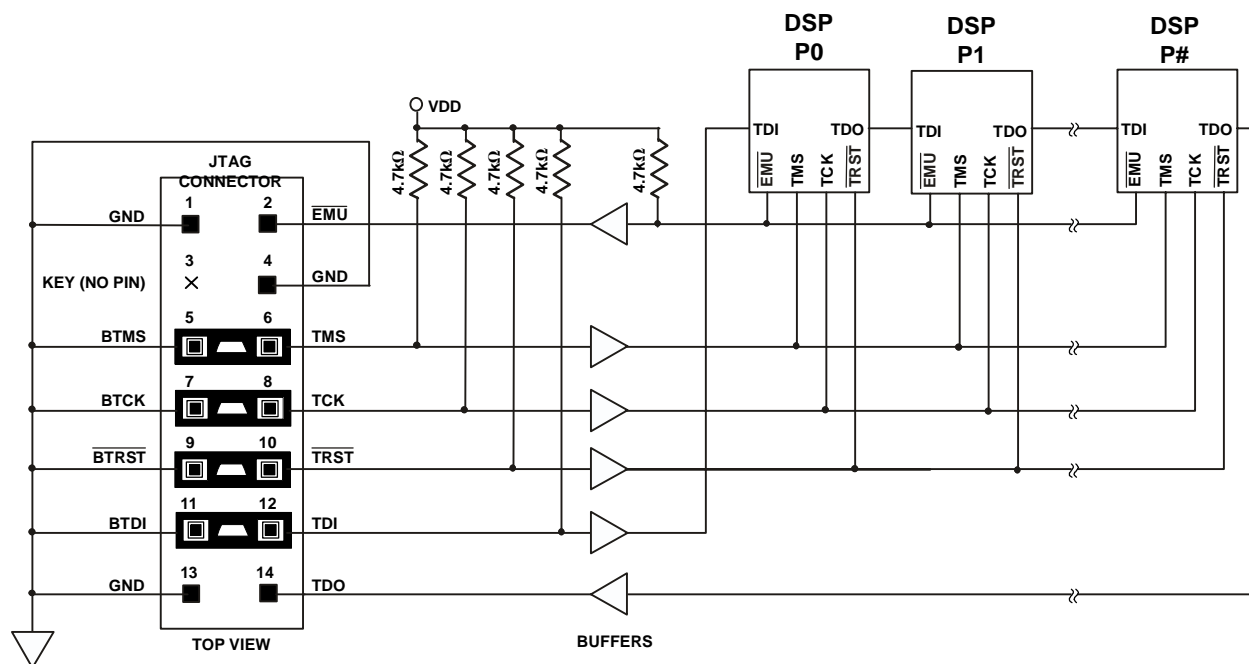


Figure 9. Multiple-DSP JTAG-Connections, Buffered

Layout Requirements

All JTAG signals (TCK, TMS, TDI, TDO, $\overline{\text{EMU}}$, and $\overline{\text{TRST}}$) should be treated as critical route signals. This means pay special attention when routing these signals. Specify a controlled impedance requirement for each route (value depends on your circuit board - typically 50-75 Ω). Keep crosstalk and inductance to a minimum on these lines by using a good ground plane and by routing away from other high noise signals such as clock lines. Keep these routes as short and clean as possible, and keep the bused signals (TMS, TCK, $\overline{\text{TRST}}$ and, $\overline{\text{EMU}}$) as close to the same length as possible.

Note: The JTAG TAP relies on the state of the TMS line and the TCK clock signal. If these signals have glitches (due to ground bounce, crosstalk, etc.) unreliable emulator operation will result. If you are experiencing emulator problems, look at these signals using a high-speed digital oscilloscope. These lines must be clean, and may require special termination schemes. If you are buffering the JTAG header (most customers will) you must provide signal termination appropriate for your target board (series, parallel, R/C, etc.).

Power Sequence

The power-on sequence for your target and emulation system is as follows: Apply power to the emulator first, then to the target board. This ensures that the JTAG signals are in the correct state for the DSP to run free. Upon power-on, the emulator drives the $\overline{\text{TRST}}$ signal low, keeping the DSP TAP in the test-logic-reset state, until the emulation

software takes control. Removal of power should be the reverse: Turn off power to the target board then to the emulator.

Emulator Model Specifics

The following sections contain design details on various emulator pod designs by White Mountain DSP. The emulator pod is the device that connects directly to the DSP target board 14-pin JTAG header. Check our web site for updates to this document that will contain new emulator design details.

White Mountain DSP JTAG Pod Connector

This section applies to the Mountain ICE, Summit-ICE, Trek-ICE, Mountain-ICE/WS, Apex-ICE.

Figure 10 details the dimensions of the JTAG pod connector at the 14-pin target end. Figure 11 displays the keep-out area for a target board header. The keep-out area allows the pod connector to properly seat onto the target board header. This board area should contain no components (chips, resistors, capacitors, etc.). The dimensions are referenced to the center of the 0.25" square post pin.

White Mountain DSP 3.3V Pod Logic

This section applies to Mountain ICE, Summit-ICE, Trek-ICE, Mountain-ICE/WS, Apex-ICE.

A portion of the White Mountain DSP 3.3V emulator pod interface is shown in Figure 12. This figure describes the driver circuitry of the emulator pod. As can be seen, TMS, TCK and TDI are driven with a 33 Ω series resistor. $\overline{\text{TRST}}$ is driven with a 100 Ω series resistor. TDO and CLKIN are

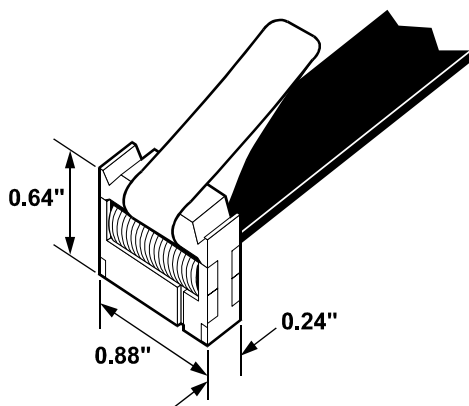


Figure 10. JTAG Pod Connector Dimensions

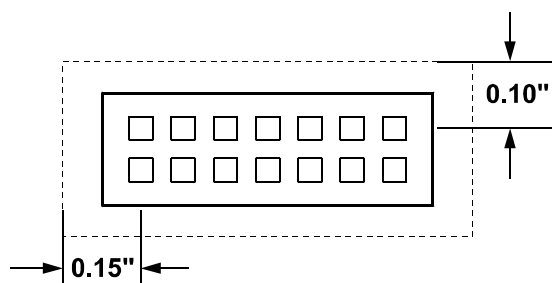


Figure 11. JTAG Pod Connector Keep-Out Area

terminated with an optional $91/120\Omega$ parallel terminator. \overline{EMU} is pulled up with a $4.7K\Omega$ resistor. The 74LVT244 chip drives the signals at 3.3V, with a maximum current rating of $\pm 32mA$.

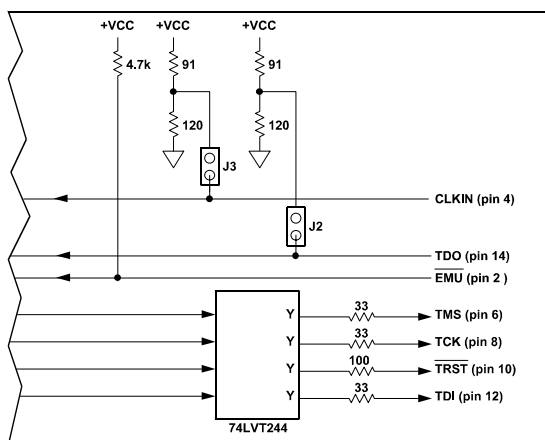


Figure 12. 3.3V JTAG Pod Driver Logic

You can parallel terminate the TMS, TCK, \overline{TRST} , and TDI lines locally on your target board, if needed, since they are driven by the pod with sufficient current drive ($\pm 32mA$). In

order to use the terminators on the TDO line (CLKIN is not used), you MUST have a buffer on your target board JTAG header. The DSP is not capable of driving the parallel terminator load directly with TDO. Assuming you have the proper buffers, you may use the optional parallel terminators simply by placing a jumper on J2.

White Mountain DSP 2.5V Pod Logic

This section applies to Mountain ICE, Summit-ICE, Trek-ICE, Mountain-ICE/WS.

A portion of the White Mountain DSP 2.5V emulator pod interface is shown in Figure 13. This figure describes the driver circuitry of the emulator pod. As can be seen, TMS, TCK, and TDI are driven with a 33Ω series resistor. \overline{TRST} is driven with a 100Ω series resistor. TDO is pulled up with a $4.7K\Omega$ resistor and terminated with an optional parallel terminator that can be configured by the user. \overline{EMU} is pulled up with a $4.7K\Omega$ resistor.

The CLKIN signal is not used and not connected inside the pod. The 74ALVT16244 chip drives the signals at 2.5V, with a maximum current rating of $\pm 8mA$.

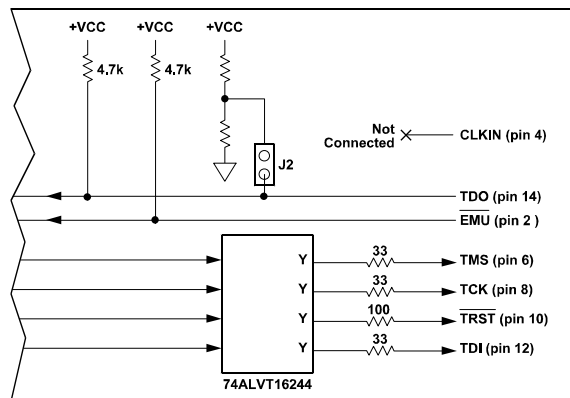


Figure 13. 2.5V JTAG Pod Driver Logic

You can terminate the TMS, TCK, \overline{TRST} , and TDI lines locally on your target board, if needed, as long as the terminator's current use does not exceed the driver's maximum current supply ($\pm 8mA$). In order to use the terminator on the TDO line, you MUST have a buffer on your target board JTAG header. The DSP is not capable of driving a parallel terminator load (typically $50-75\Omega$) directly with TDO. Assuming you have the proper buffers, you may use the optional parallel terminator by adding the appropriate resistors and placing a jumper on J2.

Additional Information

This data sheet provides a general overview of the ADSP-21992 architecture and functionality. For detailed information on the ADSP-21992 embedded DSP core

architecture, instruction set, communications ports and embedded control peripherals, refer to the ADSP-21992 *Mixed Signal DSP Controller Hardware Reference Manual*.

PIN DESCRIPTIONS

ADSP-21992 pin definitions are listed in [Table 5](#). All ADSP-21992 inputs are asynchronous and can be asserted asynchronously to CLKIN (or to TCK for $\overline{\text{TRST}}$).

Unused inputs should be tied or pulled to V_{DDEXT} or GND, except for ADDR21–0, DATA15–0, PF7–0, and inputs that have internal pullup or pulldown resistors ($\overline{\text{TRST}}$, BMODE0, BMODE1, BMODE2, BYPASS, TCK, TMS,

TDI, PWMPOL, $\overline{\text{PWMSR}}$, and $\overline{\text{RESET}}$)—these pins can be left floating. These pins have a logic level hold circuit that prevents input from floating internally. $\overline{\text{PWMTRIP}}$ has an internal pulldown, but should not be left floating to avoid unnecessary PWM shutdowns.

The following symbols appear in the Type column of [Table 5](#): G = Ground, I = Input, O = Output, P = Power Supply, B = Bidirectional, T = Three State, D = Digital, A = Analog, CKG = Clock Generation pin, PU = Internal Pull Up, PD = Internal Pull Down, and OD = Open Drain.

Table 5. ADSP-21992 Pin Descriptions

Signal Name	Type	Description
A19 - A0	D, OT	External Port Address Bus
D15 - D0	D, BT	External Port Data Bus
$\overline{\text{RD}}$	D, OT	External Port Read Strobe
$\overline{\text{WR}}$	D, OT	External Port Write Strobe
ACK	D, I	External Port Access Ready Acknowledge
$\overline{\text{BR}}$	D, I, PU	External Port Bus Request
$\overline{\text{BG}}$	D, O	External Port Bus Grant
$\overline{\text{BGH}}$	D, O	External Port Bus Grant Hang
$\overline{\text{MS0}}$	D, OT	External Port Memory Select Strobe 0
$\overline{\text{MS1}}$	D, OT	External Port Memory Select Strobe 1
$\overline{\text{MS2}}$	D, OT	External Port Memory Select Strobe 2
$\overline{\text{MS3}}$	D, OT	External Port Memory Select Strobe 3
$\overline{\text{IOMS}}$	D, OT	External Port IO Space Select Strobe
$\overline{\text{BMS}}$	D, OT	External Port Boot Memory Select Strobe
CLKIN	D,I,CKG	Clock Input/Oscillator Input/ Crystal Connection 0
XTAL	D,O,CKG	Oscillator Output/ Crystal Connection 1
CLKOUT	D, OT	Clock Output (HCLK)
BYPASS	D, I, PU	PLL Bypass Mode Select
$\overline{\text{RESET}}$	D, I, PU	Processor Reset Input
$\overline{\text{POR}}$	D, O	Power on Reset Output
BMODE2	D, I, PU	Boot Mode Select Input 2
BMODE1	D, I, PD	Boot Mode Select Input 1
BMODE0	D, I, PU	Boot Mode Select Input 0
TCK	D, I	JTAG Test Clock
TMS	D, I, PU	JTAG Test Mode Select
TDI	D, I, PU	JTAG Test Data Input
$\overline{\text{TDO}}$	D, OT	JTAG Test Data Output
$\overline{\text{TRST}}$	D, I, PU	JTAG Test Reset Input
$\overline{\text{EMU}}$	D, OT, PU	Emulation Status
VIN0	A, I	ADC Input 0
VIN1	A, I	ADC Input 1
VIN2	A, I	ADC Input 2
VIN3	A, I	ADC Input 3
VIN4	A, I	ADC Input 4
VIN5	A, I	ADC Input 5
VIN6	A, I	ADC Input 6
VIN7	A, I	ADC Input 7
ASHAN	A, I	Inverting SHA_A Input
BSHAN	A, I	Inverting SHA_B Input

PRELIMINARY TECHNICAL DATA

August 2002

For current information contact Analog Devices at (781) 937-1799

ADSP-21992

Table 5. ADSP-21992 Pin Descriptions (Continued)

Signal Name	Type	Description
CAPT	A, O	Noise Reduction Pin
CAPB	A, O	Noise Reduction Pin
VREF	A, I, O	Voltage Reference Pin (Mode Selected by State of SENSE)
SENSE	A, I	Voltage Reference Select Pin
CML	A, O	Common Mode Level Pin
CONVST	D, I	ADC Convert Start Input
CANRX	D, I	Controller Area Network (CAN) Receive
CANTX	D, O, OD	Controller Area Network (CAN) Transmit
PF15	D, BT, PD	General Purpose IO15
PF14	D, BT, PD	General Purpose IO14
PF13	D, BT, PD	General Purpose IO13
PF12	D, BT, PD	General Purpose IO12
PF11	D, BT, PD	General Purpose IO11
PF10	D, BT, PD	General Purpose IO10
PF9	D, BT, PD	General Purpose IO9
PF8	D, BT, PD	General Purpose IO8
PF7/SPISEL7	D, BT, PD	General Purpose IO7 / SPI Slave Select Output 7
PF6/SPISEL6	D, BT, PD	General Purpose IO6 / SPI Slave Select Output 6
PF5/SPISEL5	D, BT, PD	General Purpose IO5 / SPI Slave Select Output 5
PF4/SPISEL4	D, BT, PD	General Purpose IO4 / SPI Slave Select Output 4
PF3/SPISEL3	D, BT, PD	General Purpose IO3 / SPI Slave Select Output 3
PF2/SPISEL2	D, BT, PD	General Purpose IO2 / SPI Slave Select Output 2
PF1/SPISEL1	D, BT, PD	General Purpose IO1 / SPI Slave Select Output 1
PF0/SPISS0	D, BT, PD	General Purpose IO0 / SPI Slave Select Input 0
SCK	D, BT	SPI Clock
MISO	D, BT	SPI Master In Slave Out Data
MOSI	D, BT	SPI Master Out Slave In Data
DT	D, OT	SPORT Data Transmit
DR	D, I	SPORT Data Receive
RFS	D, BT	SPORT Receive Frame Sync
TFS	D, BT	SPORT Transmit Frame Sync
TCLK	D, BT	SPORT Transmit Clock
RCLK	D, BT	SPORT Receive Clock
EIA	D, I	Encoder A Channel Input
EIB	D, I	Encoder B Channel Input
EIZ	D, I	Encoder Z Channel Input
EIS	D, I	Encoder S Channel Input
AUX0	D, O	Auxiliary PWM Channel 0 Output
AUX1	D, O	Auxiliary PWM Channel 1 Output
AUXTRIP	D, I, PD	Auxiliary PWM Shutdown Pin
TMR2	D, BT	Timer 0 Input/Output Pin
TMR1	D, BT	Timer 1 Input/Output Pin
TMR0	D, BT	Timer 2 Input/Output Pin
AH	D, O	PWM Channel A HI PWM
AL	D, O	PWM Channel A LO PWM
BH	D, O	PWM Channel B HI PWM
BL	D, O	PWM Channel B LO PWM
CH	D, O	PWM Channel C HI PWM
CL	D, O	PWM Channel C LO PWM
PWMSYNC	D, BT	PWM Synchronization
PWMPOL	D, I, PU	PWM Polarity
PWMTRIP	D, I, PD	PWM Trip

PRELIMINARY TECHNICAL DATA

August 2002

For current information contact Analog Devices at (781) 937-1799

ADSP-21992

Table 5. ADSP-21992 Pin Descriptions (Continued)

Signal Name	Type	Description
PWMSR	D, I, PU	PWM SR Mode Select
AVDD (2 pins)	A, P	Analog Supply Voltage
AVSS (2 pins)	A, G	Analog Ground
VDDINT (6 pins)	D, P	Digital Internal Supply
VDDEXT (10 pins)	D, P	Digital External Supply
GND (16 pins)	D, G	Digital Ground

ADSP-21992—SPECIFICATIONS

RECOMMENDED OPERATING CONDITIONS

Parameter	Description ¹	Min	Max	Unit
V _{DDINT}	Internal (Core) Supply Voltage	2.37	2.63	V
V _{DDEXT}	External (I/O) Supply Voltage	TBD	3.6	V
V _{IH1}	High Level Input Voltage ² , @ V _{DDINT} = max	2.0	V _{DDEXT}	V
V _{IH2}	High Level Input Voltage ³ , @ V _{DDINT} = max	2.2	V _{DDEXT}	V
V _{IL}	Low Level Input Voltage ^{1,2} , @ V _{DDINT} = min	-0.3	0.6	V
T _{AMB}	Ambient Operating Temperature	-40°C	+85°C	°C

¹ Specifications subject to change without notice.

² Applies to input and bidirectional pins: DATA15-0, HAD15-0, HA16, HALE, HACK, HACK_P, BYPASS, $\overline{\text{HRD}}$, $\overline{\text{HWR}}$, ACK, PF7-0, $\overline{\text{HCMS}}$, $\overline{\text{HCIOMS}}$, $\overline{\text{BR}}$, TFS, TFS1, TFS2/MOSI0, RFS, RFS1, RFS2/MOSI1, BMODE2, BMODE1-0, TMS, TDI, TCK, DT2/MISO0, DR, DR1, DR2/MISO1, TCLK, TCLK1, TCLK2/SCK0, RCLK, RCLK1, RCLK2/SCK1.

³ Applies to input pins: CLKIN, RESET, TRST.

ELECTRICAL CHARACTERISTICS

Parameter ¹	Description	Test Conditions	Min	Max	Unit
V _{OH}	High Level Output Voltage ²	@ V _{DDEXT} = min, I _{OH} = -0.5 mA	2.4		V
V _{OL}	Low Level Output Voltage ²	@ V _{DDEXT} = min, I _{OL} = 2.0 mA		0.4	V
I _{IH}	High Level Input Current ^{3,4}	@ V _{DDEXT} = max, V _{IN} = V _{DD} max		TBD	μA
I _{IL}	Low Level Input Current ²	@ V _{DDINT} = max, V _{IN} = 0 V		TBD	μA
I _{ILP}	Low Level Input Current ³	@ V _{DDINT} = max, V _{IN} = 0 V		TBD	μA
I _{OZH}	Three State Leakage Current ⁵	@ V _{DDINT} = max, V _{IN} = V _{DD} max		TBD	μA
I _{OZL}	Three State Leakage Current ⁴	@ V _{DDINT} = max, V _{IN} = 0 V		TBD	μA
I _{OZHP}	Three State Leakage Current ⁶	@ V _{DDINT} = max, V _{IN} = V _{DD} max		TBD	μA
I _{OZLS}	Three State Leakage Current ⁵	@ V _{DDINT} = max, V _{IN} = 0 V		TBD	μA
I _{IDD TYPICAL}	Supply Current (Internal)	@ t _{CK} = TBD ns, V _{DDINT} = max		TBD	mA
I _{IDD IDLE}	Supply Current (Internal)	@ t _{CK} = TBD ns, V _{DDINT} = max		TBD	mA
I _{IDD PWRDWN}	Supply Current (Internal)	@ t _{CK} = TBD ns, V _{DDINT} = max		TBD	mA
C _{IN}	Input Capacitance ^{7,8}	f _{IN} = 1 MHz, T _{CASE} = 25°C, V _{IN} = 2.5 V		TBD	pF

¹ Specifications subject to change without notice.

- ²Applies to output and bidirectional pins: DATA15-0, ADDR21-0, HAD15-0, $\overline{MS3-0}$, \overline{IOMS} , \overline{RD} , \overline{WR} , CLKOUT, HACK, PF7-0, TMR2-0, \overline{BGH} , \overline{BG} , DT, DT1, DT2/MISO0, TCLK, TCLK1, TCLK2/SCK0, RCLK, RCLK1, RCLK2/SCK1, TFS, TFS1, TFS2/MOSI0, RFS, RFS1, RFS2/MOSI1, \overline{BMS} , TDO, TXD, \overline{EMU} .
- ³Applies to input pins: ACK, \overline{BR} , \overline{HCMS} , \overline{HCIOMS} , BMODE2, BMODE1-0, HA16, HALE, \overline{HRD} , \overline{HWR} , CLKIN, \overline{RESET} , TCK, TDI, TMS, \overline{TRST} , DR, DR1, BYPASS, RXD.
- ⁴Applies to input pins with internal pull ups: \overline{TRST} , BMODE0, BMODE1, BMODE2, BYPASS, TCK, TMS, TDI, \overline{RESET} .
- ⁵Applies to three storable pins: DATA15-0, ADDR21-0, $\overline{MS3-0}$, \overline{RD} , \overline{WR} , PF7-0, \overline{BMS} , \overline{IOMS} , TFSx, RFSx, TDO, \overline{EMU} .
- ⁶The test program used to measure $I_{DDINPEAK}$ represents worst case processor operation and is not sustainable under normal application conditions. Actual internal power measurements made using typical applications are less than specified. [For more information, see Power Dissipation on page 42.](#)
- ⁷Applies to all signal pins.
- ⁸Guaranteed, but not tested.

ABSOLUTE MAXIMUM RATINGS

V_{DDINT} Internal (Core) Supply Voltage ^{1,2}	-0.3 to 3.0 V
V_{DDEXT} External (I/O) Supply Voltage	-0.3 to 4.6 V
$V_{IL}-V_{IH}$ Input Voltage	-0.5 to +5.5 V ³
$V_{OL}-V_{OH}$ Output Voltage Swing	-0.5 to +5.5 V ³
C_L Load Capacitance	200 pF
t_{CCLK} Core Clock Period	6.25 ns
f_{CCLK} Core Clock Frequency	160 MHz
t_{HCLK} Peripheral Clock Period	10 ns
f_{HCLK} Peripheral Clock Frequency	80 MHz
T_{STORE} Storage Temperature Range	-65 to 150°C
T_{LEAD} Lead Temperature (5 seconds)	185°C

- ¹Specifications subject to change without notice.
- ²Stresses greater than those listed above may cause permanent damage to the device. These are stress ratings only, and functional operation of the device at these or any other conditions greater than those indicated in the operational sections of this specification is not implied. Exposure to absolute maximum rating conditions for extended periods may affect device reliability.
- ³Except CLKIN and analog pins.

ESD SENSITIVITY

CAUTION:

ESD (electrostatic discharge) sensitive device. Electrostatic charges as high as 4000V readily accumulate on the human body and test equipment and can discharge without detection. Although the ADSP-21992 features proprietary ESD protection circuitry, permanent damage may occur on devices subjected to high-energy electrostatic discharges. Therefore, proper ESD precautions are recommended to avoid performance degradation or loss of functionality.



TIMING SPECIFICATIONS

This section contains timing information for the DSP's external signals.

Clock In and Clock Out Cycle Timing

Table 6 and Figure 14 describe clock and reset operations. Per V_{DDINT} Internal (Core) Supply Voltage, -0.3 to 3.0 V on page 23, combinations of CLKIN and clock multipliers must not select core/peripheral clocks in excess of 160/100 MHz.

Table 6. Clock In and Clock Out Cycle Timing

Parameter	Description	Min	Max	Unit
<i>Switching Characteristic</i>				
t_{CKOD}	CLKOUT delay from CLKIN	0	5.8	ns
t_{CKO}	CLKOUT period ¹	10		ns
<i>Timing Requirements</i>				
t_{CK}	CLKIN period ^{2,3}	6.25	200	ns
t_{CKL}	CLKIN low pulse	2.2		ns
t_{CKH}	CLKIN high pulse	2.2		ns
t_{WRST}	\overline{RESET} asserted pulsewidth low	$200t_{CLKOUT}$		ns
t_{MSLS}	MSELx/BYPASS stable before \overline{RESET} de-asserted setup	450		μ s
t_{MSLH}	MSELx/BYPASS stable after \overline{RESET} de-asserted hold	$10t_{CLKOUT}$		ns

¹ Figure 14 shows a $\times 2$ ratio between $CLKOUT = 2 \times CLKIN$ (or $t_{HCLK} = 2 \times t_{CCLK}$), but the ratio has many programmable options. For more information see the System Design chapter of the *ADSP-219x/2191 DSP Hardware Reference*.

² In clock multiplier mode and MSEL6-0 set for 1:1 (or $CLKIN = CCLK$), $t_{CK} = t_{CCLK}$.

³ In bypass mode, $t_{CK} = t_{CCLK}$.

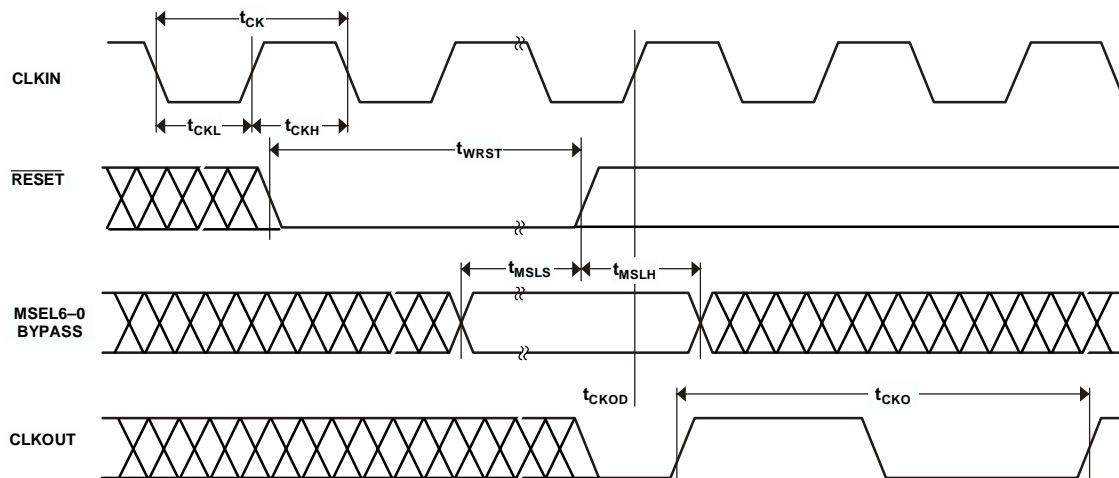


Figure 14. Clock In and Clock Out Cycle Timing

Programmable Flags Cycle Timing

Table 7 and Figure 15 describe programmable flag operations.

Table 7. Programmable Flags Cycle Timing

Parameter	Description	Min	Max	Unit
<i>Switching Characteristic</i>				
t_{DFO}	Flag output delay with respect to HCLK		3	ns
t_{HFO}	Flag output hold after HCLK high	TBD	TBD	ns
<i>Timing Requirement</i>				
t_{HFI}	Flag input hold is asynchronous	3		ns

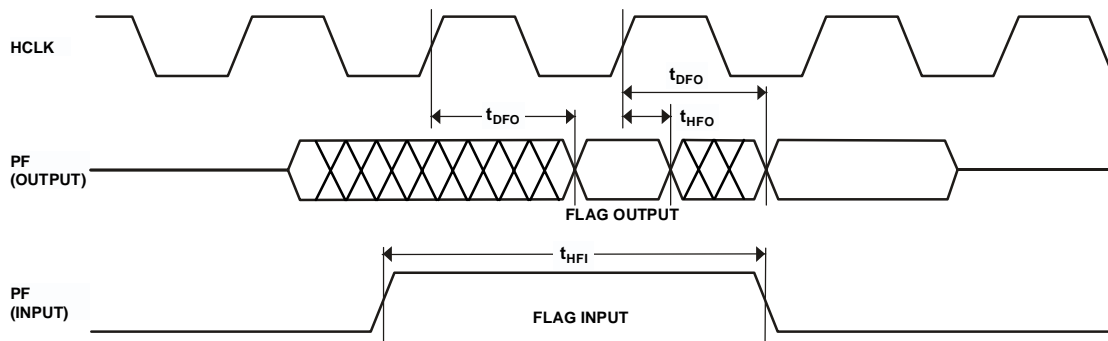


Figure 15. Programmable Flags Cycle Timing

Timer PWM_OUT Cycle Timing

Table 8 and Figure 16 describe timer expired operations. The input signal is asynchronous in “width capture mode” and has an absolute maximum input frequency of 50 MHz.

Table 8. Timer PWM_OUT Cycle Timing

Parameter	Description	Min	Max	Unit
<i>Switching Characteristic</i>				
t_{HTO}	Timer pulsewidth output ¹	6.25	$(2^{32}-1)$ cycles	ns

¹The minimum time for t_{HTO} is one cycle, and the maximum time for t_{HTO} equals $(2^{32}-1)$ cycles.

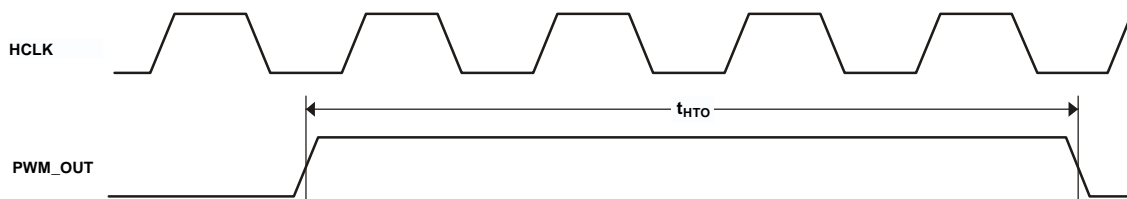


Figure 16. Timer PWM_OUT Cycle Timing

External Port Write Cycle Timing

Table 9 and Figure 17 describe external port write operations.

The external port lets systems extend read/write accesses in three ways: wait states, ACK input, and combined wait states and ACK. To add waits with ACK, the DSP must see ACK low at the rising edge of EMI clock. ACK low causes the DSP to wait, and the DSP requires two EMI clock cycles after ACK goes high to finish the access. For more information, see the External Port chapter in the *ADSP-219x/2191 DSP Hardware Reference*

Table 9. External Port Write Cycle Timing

Parameter	Description ^{1, 2, 3}	Min	Max	Unit
<i>Switching Characteristics</i>				
t_{CWA}	EMI ⁴ clock low to \overline{WR} asserted delay		2.8	ns
t_{CSWS}	Chip select asserted to \overline{WR} de-asserted delay	4.3	6.5	ns
t_{AWS}	Address valid to \overline{WR} setup and delay	4.9	7.0	ns
t_{AKS}	ACK asserted to EMI clock high delay	6.0		ns
t_{WSCS}	\overline{WR} de-asserted to chip select de-asserted	4.8	7.0	ns
t_{WSA}	\overline{WR} de-asserted to address invalid	4.5	6.6	ns
t_{CWD}	EMI clock low to \overline{WR} de-asserted delay	2.5	2.7	ns
t_{WW}	\overline{WR} strobe pulsewidth	$t_{HCLK} - 0.5$		ns
t_{CDA}	\overline{WR} to data enable access delay	1.5	4.1	ns
t_{CDD}	\overline{WR} to data disable access delay	3.3	7.4	ns
t_{DSW}	Data valid to \overline{WR} de-asserted setup	$t_{HCLK} - 1.4$	$t_{HCLK} + 4.8$	ns
t_{DHW}	\overline{WR} de-asserted to data invalid hold time; wt_hold=0	3.4	7.4	ns
t_{DHW}	\overline{WR} de-asserted to data invalid hold time; wt_hold=1	$t_{HCLK} + 3.4$	$t_{HCLK} + 7.4$	ns
<i>Timing Requirement</i>				
t_{AKW}	ACK strobe pulsewidth	10.0		ns

¹ t_{HCLK} is the peripheral clock period.

²These are preliminary timing parameters that are based on worst case operating conditions.

³The pad loads for these timing parameters are 20 pF.

⁴EMI clock is the external port clock that is generated from the EMI clock ratio. This signal is not available on an external pin, but (roughly) corresponds to HCLK (at similar clock ratios).

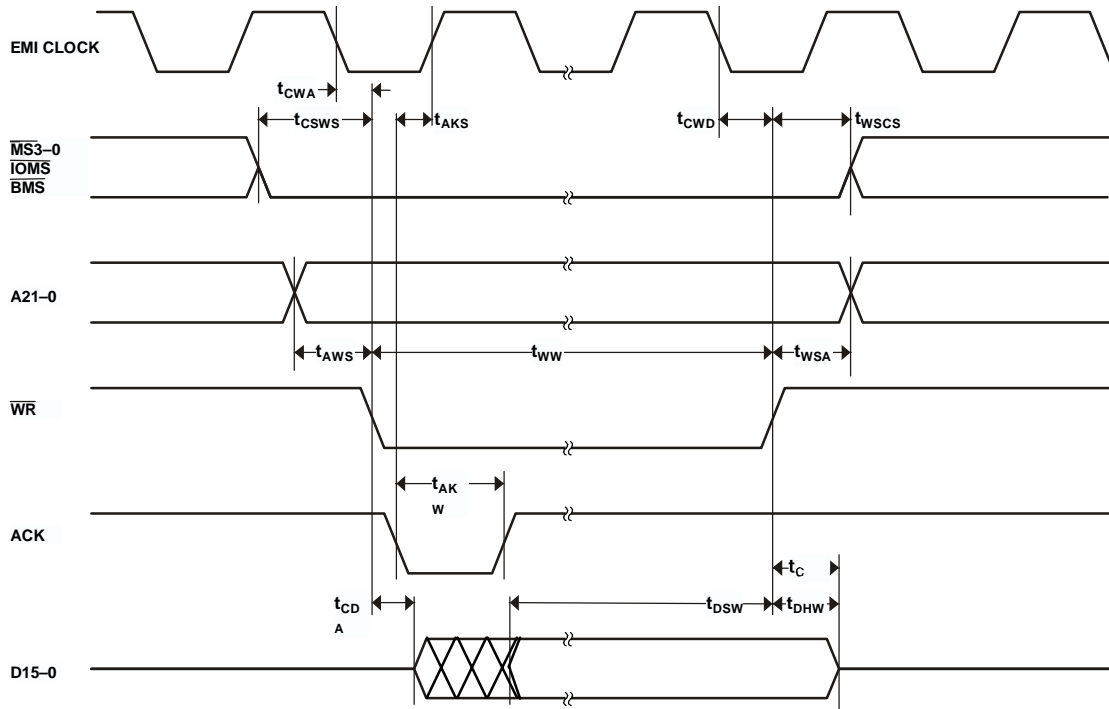


Figure 17. External Port Write Cycle Timing

PRELIMINARY TECHNICAL DATA

August 2002

For current information contact Analog Devices at (781) 937-1799

ADSP-21992

External Port Read Cycle Timing

Table 10 and Figure 18 describe external port read operations. For additional information on the ACK signal, see the discussion on page 27.

Table 10. External Port Read Cycle Timing

Parameter	Description ^{1, 2, 3}	Min	Max	Unit
<i>Switching Characteristics</i>				
t _{CRA}	EMI ⁴ clock low to \overline{RD} asserted delay		2.8	ns
t _{CSRS}	Chip select asserted to \overline{RD} asserted delay	4.3	6.5	ns
t _{ARS}	Address valid to \overline{RD} setup and delay	4.9	7.0	ns
t _{AKS}	ACK asserted to EMI clock high delay	6.0		ns
t _{CRD}	EMI clock low to \overline{RD} de-asserted delay	2.5	2.7	ns
t _{RSCS}	\overline{RD} de-asserted to chip select de-asserted setup	4.8	7.0	ns
t _{RW}	\overline{RD} strobe pulsewidth	t _{HCLK} -0.5		ns
t _{RSA}	\overline{RD} de-asserted to address invalid setup	4.5	6.6	ns
<i>Timing Requirements</i>				
t _{AKW}	ACK strobe pulsewidth	10.0		ns
t _{CDA}	\overline{RD} to data enable access delay	0.0		ns
t _{RDA}	\overline{RD} asserted to data access setup		t _{HCLK} -5.5	ns
t _{ADA}	Address valid to data access setup		t _{HCLK} -0.2	ns
t _{SDA}	Chip select asserted to data access setup		t _{HCLK} -0.6	ns
t _{SD}	Data valid to \overline{RD} de-asserted setup	1.8		ns
t _{HRD}	\overline{RD} de-asserted to data invalid hold	0.0		ns

¹t_{HCLK} is the peripheral clock period.

²These are preliminary timing parameters that are based on worst case operating conditions.

³The pad loads for these timing parameters are 20 pF.

⁴EMI clock is the external port clock that is generated from the EMI clock ratio. This signal is not available on an external pin, but (roughly) corresponds to HCLK (at similar clock ratios).

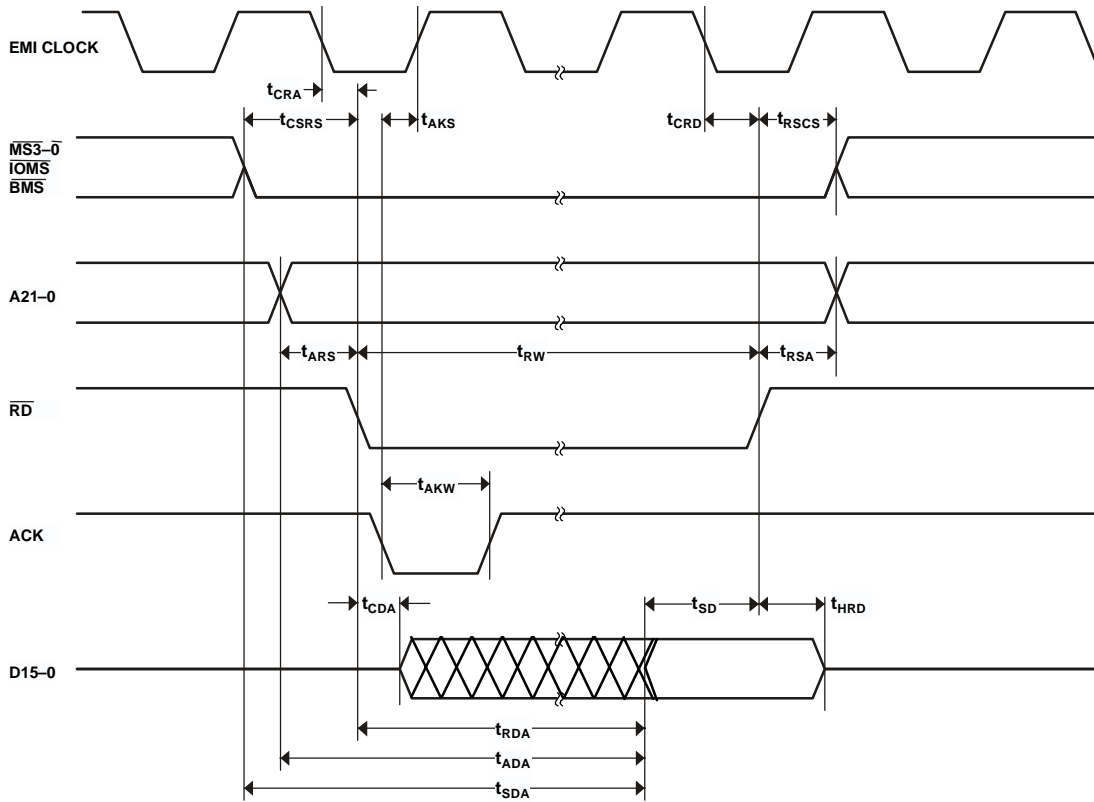


Figure 18. External Port Read Cycle Timing

External Port Bus Request and Grant Cycle Timing

Table 11 and Figure 19 describe external port bus request and bus grant operations.

Table 11. External Port Bus Request and Grant Cycle Timing

Parameter	Description ^{1, 2, 3}	Min	Max	Unit
<i>Switching Characteristics</i>				
t_{SD}	CLKOUT high to \overline{xMS} , address, and $\overline{RD}/\overline{WR}$ disable		4.3	ns
t_{SE}	CLKOUT low to \overline{xMS} , address, and $\overline{RD}/\overline{WR}$ enable		4.0	ns
t_{DBG}	CLKOUT high to \overline{BG} asserted setup		2.2	ns
t_{EBG}	CLKOUT high to \overline{BG} de-asserted hold time		2.2	ns
t_{DBH}	CLKOUT high to \overline{BGH} asserted setup		2.4	ns
t_{EBH}	CLKOUT high to \overline{BGH} de-asserted hold time		2.4	ns
<i>Timing Requirements</i>				
t_{BS}	\overline{BR} asserted to CLKOUT high setup	4.6		ns
t_{BH}	CLKOUT high to \overline{BR} de-asserted hold time	0.0		ns

¹ t_{HCLK} is the peripheral clock period.

²These are preliminary timing parameters that are based on worst case operating conditions.

³The pad loads for these timing parameters are 20 pF.

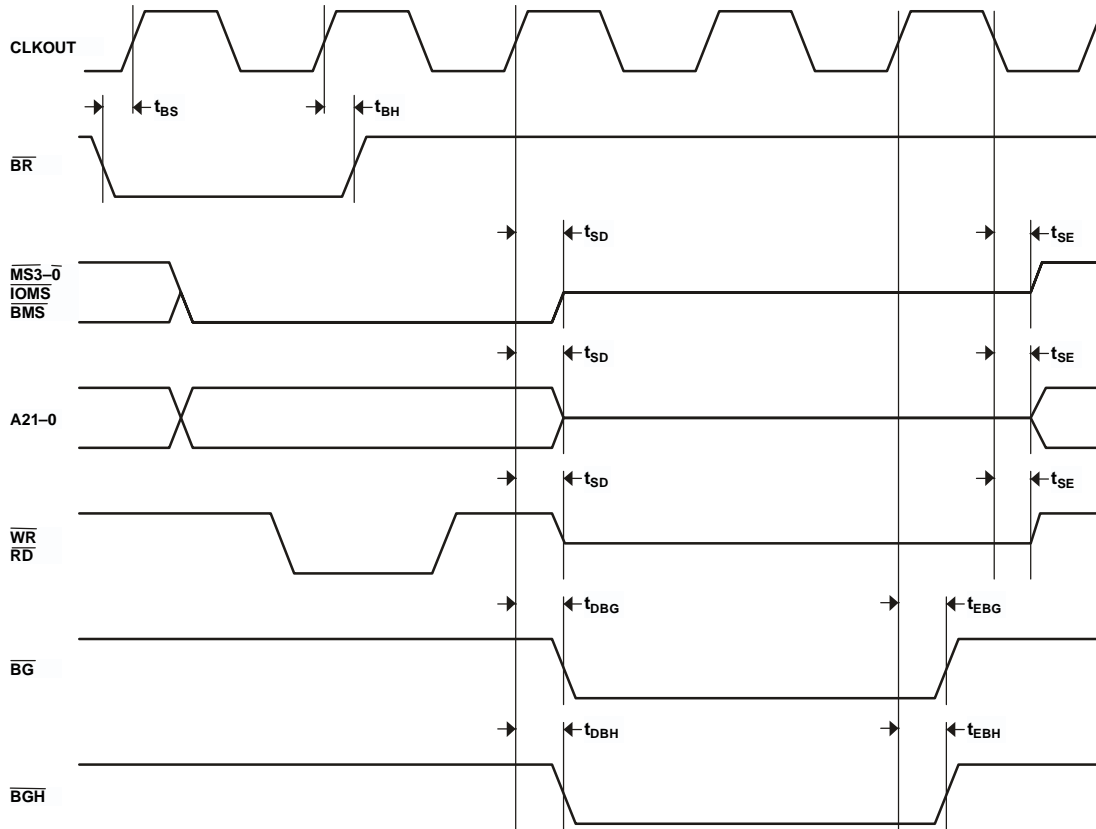


Figure 19. External Port Bus Request and Grant Cycle Timing

PRELIMINARY TECHNICAL DATA

August 2002

For current information contact Analog Devices at (781) 937-1799

ADSP-21992

Serial Port (SPORT) Clocks and Data Timing

Table 12 and Figure 20 describe SPORT transmit and receive operations.

Table 12. Serial Port (SPORT) Clocks and Data Timing¹

Parameter	Description	Min	Max	Unit
<i>Switching Characteristics</i>				
t _{HOFSE}	RFS Hold after RCLK (Internally Generated RFS) ²	0	12.4	ns
t _{DFSE}	RFS Delay after RCLK (Internally Generated RFS) ²	0	12.4	ns
t _{DDTEN}	Transmit Data Delay after TCLK ²	0	12.1	ns
t _{DDTTE}	Data Disable from External TCLK ²	0	12.0	ns
t _{DDTIN}	Data Enable from Internal TCLK ²	0	6.8	ns
t _{DDTTI}	Data Disable from Internal TCLK ²	0	6.3	ns
<i>Timing Requirements</i>				
t _{SCLKIW}	TCLK/RCLK Width	20		ns
t _{SFSI}	TFS/RFS Setup before TCLK/RCLK ³	-0.6		ns
t _{HFSI}	TFS/RFS Hold after TCLK/RCLK ^{3, 4}	-0.3		ns
t _{SDRI}	Receive Data Setup before RCLK ³	-2.3		ns
t _{HDRI}	Receive Data Hold after RCLK ³	1.9		ns
t _{SCLKW}	TCLK/RCLK Width	20		ns
t _{SFSE}	TFS/RFS Setup before TCLK/RCLK ³	-0.6		ns
t _{HFSE}	TFS/RFS Hold after TCLK/RCLK ^{3, 4}	-0.6		ns
t _{SDRE}	Receive Data Setup before RCLK ³	-2.2		ns
t _{HDRE}	Receive Data Hold after RCLK ³	1.8		ns

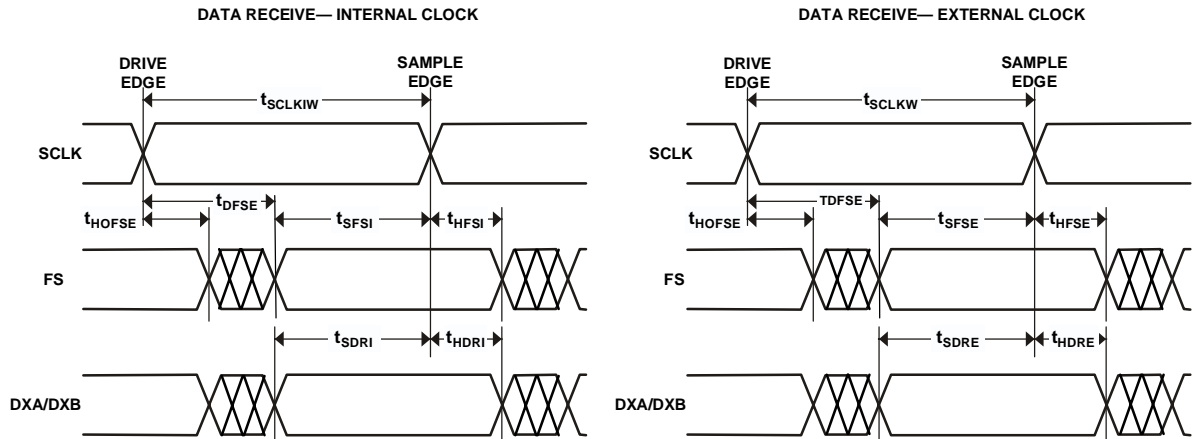
¹To determine whether communication is possible between two devices at clock speed n, the following specifications must be confirmed:

1) frame sync delay and frame sync setup and hold, 2) data delay and data setup and hold, and 3) SCLK width.

²Referenced to drive edge.

³Referenced to sample edge.

⁴RFS hold after RCLK when MCE = 1, MFD = 0 is 0 ns minimum from drive edge. TFS hold after TCLK for late external TFS is 0 ns minimum from drive edge.



NOTE: EITHER THE RISING EDGE OR FALLING EDGE OF SCLK (EXTERNAL), SCLK (INTERNAL) CAN BE USED AS THE ACTIVE SAMPLING EDGE.

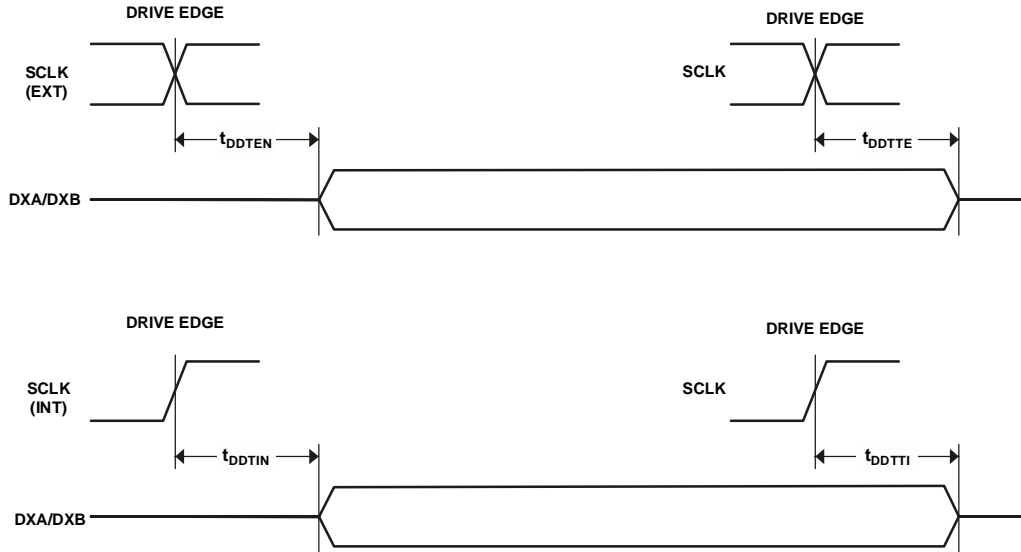


Figure 20. Serial Port (SPORT) Clocks and Data

Serial Port (SPORT) Frame Synch Timing

Table 13 and Figure 21 describe SPORT frame synch operations.

To determine whether communication is possible between two devices at clock speed n , the following specifications must be confirmed: 1) frame sync delay and frame sync setup and hold, 2) data delay and data setup and hold, and 3) R/TCLK width.

Table 13. Serial Port (SPORT) Frame Synch Timing

Parameter	Description	Min	Max	Unit
<i>Switching Characteristics</i>				
t_{HOFSE}	RFS Hold after RCLK (Internally Generated RFS) ¹		12.4	ns
t_{HOFSI}	TFS Hold after TCLK (Internally Generated TFS) ¹		12.2	ns
t_{DDTENFS}	Data Enable from late FS or MCE = 1, MFD = 0 ²		4.7	ns
t_{DDTLFSE}	Data Delay from Late External TFS or External RFS with MCE = 1, MFD = 0 ³		4.7	ns
t_{HDTE}	Transmit Data Hold after TCLK (external clk) ¹		12.4	ns
t_{HDTI}	Transmit Data Hold after TCLK (internal clk) ¹	0	12.2	ns
t_{DDTE}	Transmit Data Delay after TCLK (external clk) ¹	0	12.2	ns
t_{DDTI}	Transmit Data Delay after TCLK (internal clk) ¹	0	11.1	ns
<i>Timing Requirements</i>				
t_{SFSE}	TFS/RFS Setup before TCLK/RCLK (external clk) ³	-0.6	TBD	ns
t_{SFSI}	TFS/RFS Setup before TCLK/RCLK (internal clk) ³	-0.6	TBD	ns

¹ Referenced to drive edge.

² MCE = 1, TFS enable and TFS valid follow t_{DDTLFSE} and t_{DDTENFS} .

³ Referenced to sample edge.

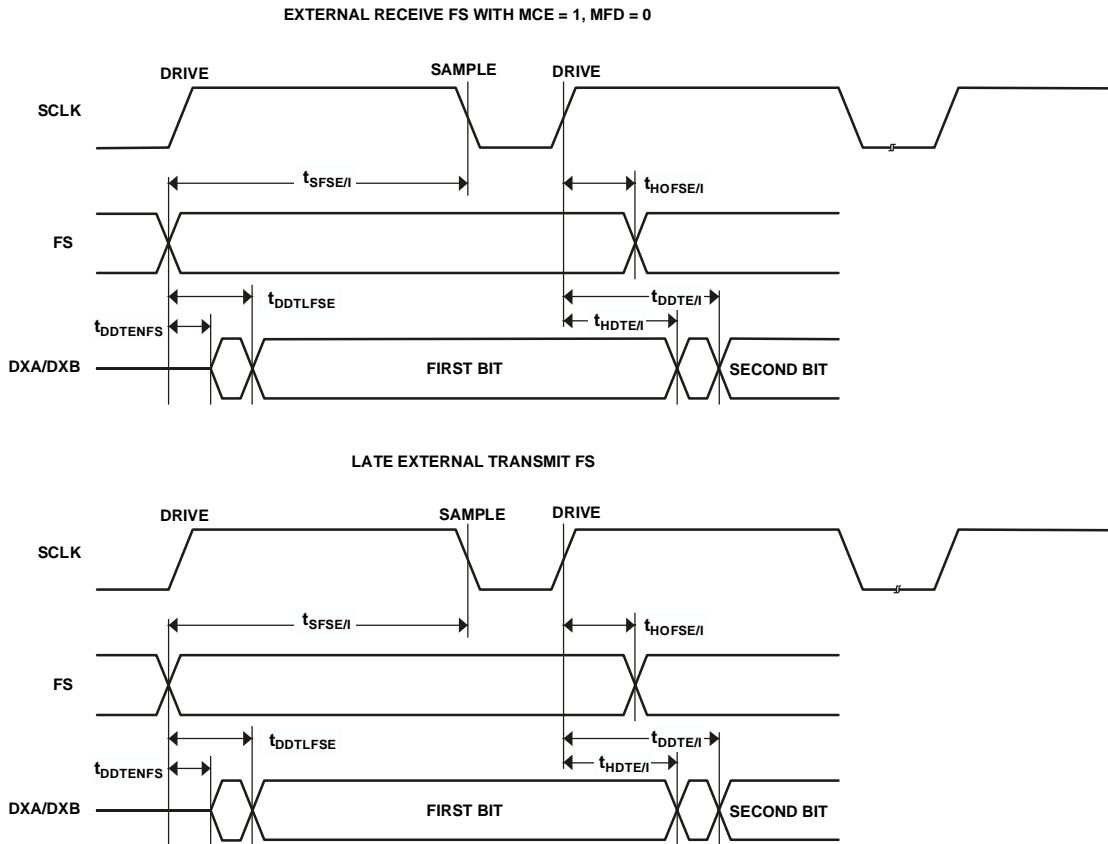


Figure 21. Serial Port (SPORT) Frame Synch

PRELIMINARY TECHNICAL DATA

August 2002

For current information contact Analog Devices at (781) 937-1799

ADSP-21992

Serial Peripheral Interface (SPI) Port—Master Timing

Table 14 and Figure 22 describe SPI port master operations.

Table 14. Serial Peripheral Interface (SPI) Port—Master Timing

Parameter	Description	Min	Max	Unit
<i>Switching Characteristics</i>				
t_{SDSCIM}	\overline{SPISS} low to first SCLK edge	$2t_{HCLK}$		ns
t_{SPICHM}	Serial clock high period	$2t_{HCLK}$		ns
t_{SPICLM}	Serial clock low period	$2t_{HCLK}$		ns
t_{SCK}	Serial clock period	$4t_{HCLK}$		ns
t_{HDSM}	Last SCLK edge to \overline{SPISS} high	$2t_{HCLK}$		ns
t_{SPITDM}	Sequential transfer delay	$2t_{HCLK}$		ns
t_{DDSPID}	SCLK edge to data out valid (data out delay)	0	6	ns
t_{HDSPID}	SCLK edge to data out invalid (data out hold)	0	5	ns
<i>Timing Requirements</i>				
t_{SSPID}	Data input valid to SCLK edge (data input setup)	1.6		ns
t_{HSPID}	SCLK sampling edge to data input invalid	1.6		ns

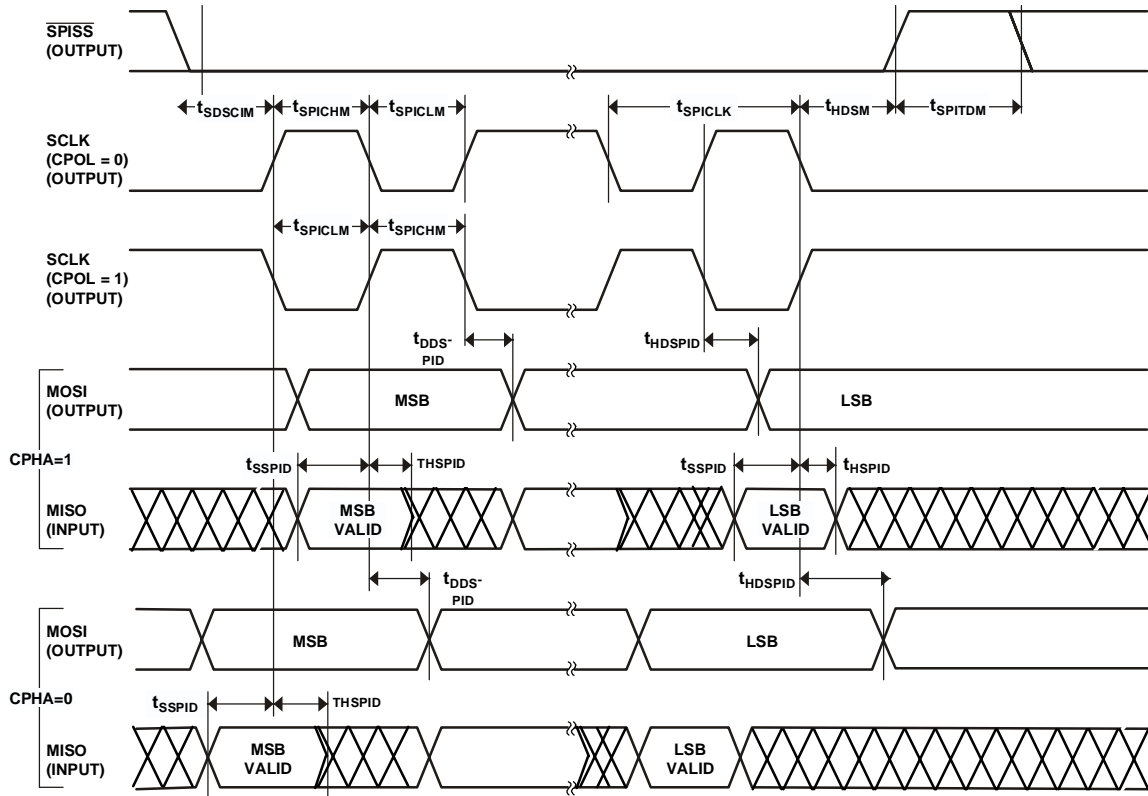


Figure 22. Serial Peripheral Interface (SPI) Port—Master

PRELIMINARY TECHNICAL DATA

August 2002

For current information contact Analog Devices at (781) 937-1799

ADSP-21992

Serial Peripheral Interface (SPI) Port—Slave Timing

Table 15 and Figure 23 describe SPI port slave operations.

Table 15. Serial Peripheral Interface (SPI) Port—Slave Timing

Parameter	Description	Min	Max	Unit
<i>Switching Characteristics</i>				
t_{DSOE}	\overline{SPISS} assertion to data out active	0	6	ns
t_{DSDHI}	\overline{SPISS} deassertion to data high impedance	0	6	ns
t_{DDSPID}	SCLK edge to data out valid (data out delay)	0	5	ns
t_{HDSPID}	SCLK edge to data out invalid (data out hold)	0	5	ns
<i>Timing Requirements</i>				
t_{SPICHS}	Serial clock high period	$2t_{HCLK}$		ns
t_{SPICLS}	Serial clock low period	$2t_{HCLK}$		ns
t_{SCK}	Serial clock period	$4t_{HCLK}$		ns
t_{HDS}	Last SCK edge to \overline{SPISS} not asserted	$2t_{HCLK}$		ns
t_{SPITDS}	Sequential Transfer Delay	$2t_{HCLK}$		ns
t_{SDSCI}	\overline{SPISS} assertion to first SCK edge	$2t_{HCLK}$		ns
t_{SSPID}	Data input valid to SCLK edge (data input setup)	1.6		ns
t_{HSPID}	SCLK sampling edge to data input invalid	1.6		ns

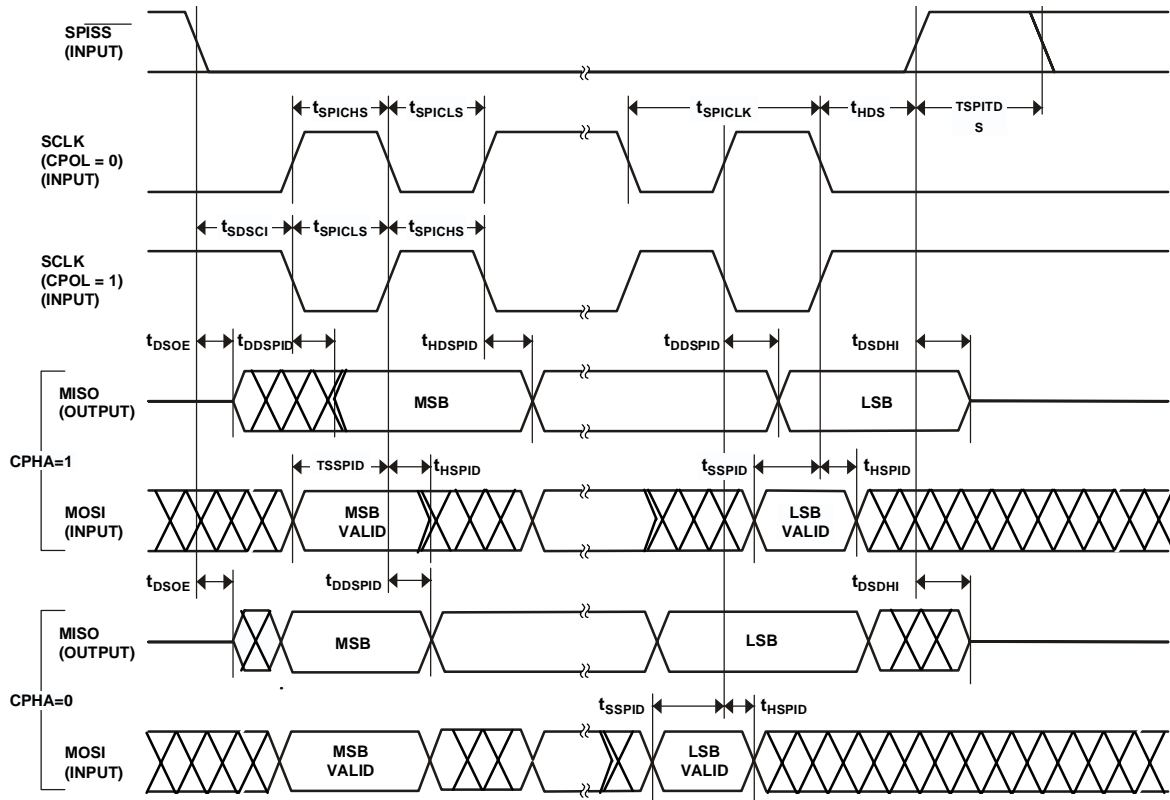


Figure 23. Serial Peripheral Interface (SPI) Port—Slave

JTAG Test And Emulation Port Timing

Table 16 and Figure 24 describe JTAG port operations.

Table 16. JTAG Port Timing

Parameter	Description	Min	Max	Unit
<i>Switching Characteristics</i>				
t_{DTDO}	TDO Delay from TCK Low		4	ns
t_{DSYS}	System Outputs Delay After TCK Low ¹	0	5	ns
<i>Timing Parameters</i>				
t_{TCK}	TCK Period	20		ns
t_{STAP}	TDI, TMS Setup Before TCK High		4	ns
t_{HTAP}	TDI, TMS Hold After TCK High		4	ns
t_{SSYS}	System Inputs Setup Before TCK Low ²		4	ns
t_{HSYS}	System Inputs Hold After TCK Low ²		5	ns
t_{TRSTW}	\overline{TRST} Pulsewidth ³	4		ns

¹System Outputs = DATA15-0, ADDR21-0, $\overline{MS3-0}$, \overline{RD} , \overline{WR} , ACK, CLKOUT, \overline{BG} , PF7-0, TIMEXP, DT, DT1, TCLK, TCLK1, RCLK, RCLK1, TFS, TFS1, RFS, RFS1, \overline{BMS} .

²System Inputs = DATA15-0, ADDR21-0, \overline{RD} , \overline{WR} , ACK, \overline{BR} , \overline{BG} , PF7-0, DR, DR1, TCLK, TCLK1, RCLK, RCLK1, TFS, TFS1, RFS, RFS1, CLKIN, \overline{RESET} .

³50 MHz max.

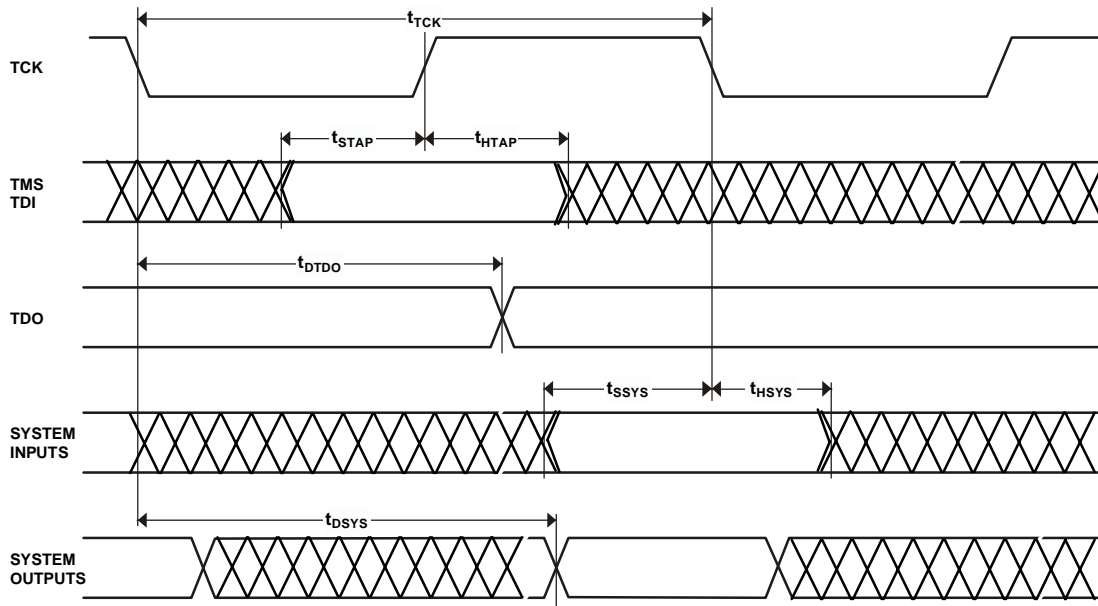


Figure 24. JTAG Port Timing

Output Drive Currents

Figure 25 shows typical current and voltage characteristics for the output drivers of the ADSP-21992. The curves represent the current drive capability of the output drivers as a function of output voltage.

Power Dissipation

Total power dissipation has two components, one due to internal circuitry and one due to the switching of external output drivers. Internal power dissipation is dependent on the instruction execution sequence and the data operands involved. Using the current specifications ($I_{DDINPEAK}$, $I_{DDINHIGH}$, $I_{DDINLOW}$, I_{DDIDLE}) from the Electrical Characteristics on page 22 and the current versus operation information in Table 17, designers can estimate the ADSP-21992's internal power supply (V_{DDINT}) input current for a specific application, according to the formula in Figure 26.

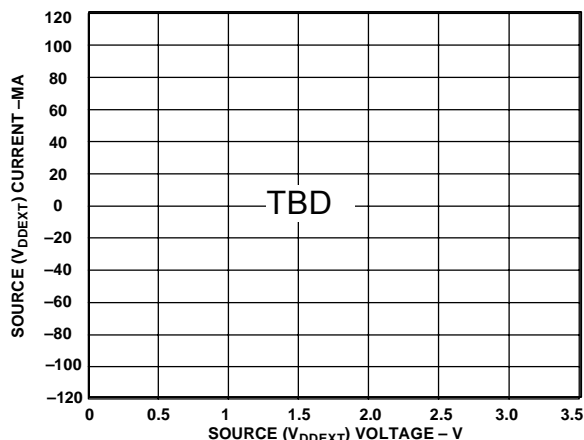


Figure 25. ADSP-21992 Typical Drive Currents

Table 17. ADSP-21992 Operation Types Versus Input Current

Operation	Typical Activity ($I_{DD-TYPICAL}$)	High Activity ($I_{DD-IDLE}$)	Low Activity ($I_{DD-PWRDWN}$)
Instruction Type	TBD	TBD	TBD
Instruction Fetch	TBD	TBD	TBD
Core Memory Access ¹	TBD	TBD	TBD
Internal Memory DMA	TBD	TBD	TBD
External Memory DMA	TBD	TBD	TBD
Data bit pattern for core memory access and DMA	TBD	TBD	TBD

¹These assume a 2:1 core clock ratio. For more information on ratios and clocks (t_{CK} and t_{CLK}), see Clock Signals on page 13.

$$I_{DDINT} = (\%Typical \times I_{DD-TYPICAL}) + (\%Idle \times I_{DD-IDLE}) + (\%Powerdown \times I_{DD-PWRDWN})$$

Figure 26. I_{DDINT} Calculation

The external component of total power dissipation is caused by the switching of output pins. Its magnitude depends on:

- The number of output pins that switch during each cycle (O)
- The maximum frequency at which they can switch (f)
- Their load capacitance (C)
- Their voltage swing (V_{DD})

and is calculated by the formula in Figure 27.

$$P_{EXT} = O \times C \times V_{DD}^2 \times f$$

Figure 27. P_{EXT} Calculation

The load capacitance should include the processor's package capacitance (C_{IN}). The switching frequency includes driving the load high and then back low. Address and data pins can drive high and low at a maximum rate of

$1/(2t_{CK})$. The write strobe can switch every cycle at a frequency of $1/t_{CK}$. Select pins switch at $1/(2t_{CK})$, but selects can switch on each cycle. For example, estimate P_{EXT} with the following assumptions:

- A system with one bank of external data memory—asynchronous RAM (16-bit)
- Four 8K × 16 RAM chips are used, each with a load of 10 pF
- External data memory writes occur every other cycle, a rate of $1/(4t_{CK})$, with 50% of the pins switching
- The bus cycle time is 50 MHz ($t_{CK} = 20$ ns)

The P_{EXT} equation is calculated for each class of pins that can drive as shown in Table 18.

Table 18. P_{EXT} Calculation

Pin Type	# of Pins	% Switching	$\times C$	$\times f$	$\times V_{DD}^2$	= P_{EXT}
Address	15	50	$\times 44.7 \text{ pF}$	$\times 12.5 \text{ MHz}$	$\times 10.9 \text{ V}$	= 0.046 W
\overline{MSx}	1	0	$\times 44.7 \text{ pF}$	$\times 12.5 \text{ MHz}$	$\times 10.9 \text{ V}$	= 0.000 W
\overline{WR}	2	100	$\times 44.7 \text{ pF}$	$\times 25 \text{ MHz}$	$\times 10.9 \text{ V}$	= 0.024 W
Data	64	50	$\times 14.7 \text{ pF}$	$\times 12.5 \text{ MHz}$	$\times 10.9 \text{ V}$	= 0.064 W
CLKOUT	1	100	$\times 4.7 \text{ pF}$	$\times 25 \text{ MHz}$	$\times 10.9 \text{ V}$	= 0.001 W
						$P_{EXT} = 0.135 \text{ W}$

A typical power consumption can now be calculated for these conditions by adding a typical internal power dissipation with the formula in Figure 28.

$$P_{TOTAL} = P_{EXT} + P_{INT}$$

Figure 28. P_{TOTAL} (Typical) Calculation

Where:

- P_{EXT} is from Table 18
- P_{INT} is $I_{DDINT} \times 2.5V$, using the calculation I_{DDINT} listed in Power Dissipation on page 42

Note that the conditions causing a worst case P_{EXT} are different from those causing a worst case P_{INT} . Maximum P_{INT} cannot occur while 100% of the output pins are switching from all ones to all zeros. Note also that it is not common for an application to have 100% or even 50% of the outputs switching simultaneously.

Test Conditions

The DSP is tested for output enable, disable, and hold time.

Output Disable Time

Output pins are considered to be disabled when they stop driving, go into a high impedance state, and start to decay from their output high or low voltage. The time for the voltage on the bus to decay by $-V$ is dependent on the capacitive load, C_L and the load current, I_L . This decay time can be approximated by the equation in Figure 29.

$$t_{DECAY} = \frac{C_L \Delta V}{I_L}$$

Figure 29. Decay Time Calculation

The output disable time t_{DIS} is the difference between $t_{MEASURED}$ and t_{DECAY} as shown in Figure 30. The time $t_{MEASURED}$ is the interval from when the reference signal switches to when the output voltage decays $-V$ from the measured output high or output low voltage. The t_{DECAY} is calculated with test loads C_L and I_L , and with $-V$ equal to 0.5 V.

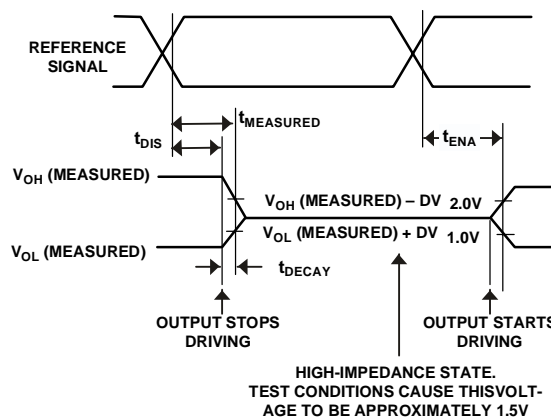


Figure 30. Output Enable/Disable

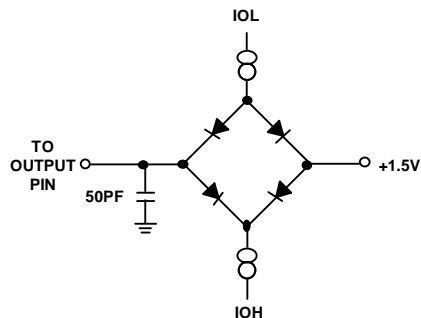


Figure 31. Equivalent Device Loading for AC Measurements (Includes All Fixtures)



Figure 32. Voltage Reference Levels for AC Measurements (Except Output Enable/Disable)

Output Enable Time

Output pins are considered to be enabled when they have made a transition from a high impedance state to when they start driving. The output enable time t_{ENA} is the interval from when a reference signal reaches a high or low voltage level to when the output has reached a specified high or low trip point, as shown in the Output Enable/Disable diagram (Figure 30). If multiple pins (such as the data bus) are enabled, the measurement value is that of the first pin to start driving.

Example System Hold Time Calculation

To determine the data output hold time in a particular system, first calculate t_{DECAY} using the equation given in Figure 29. Choose $-V$ to be the difference between the ADSP-21992's output voltage and the input threshold for the device requiring the hold time. A typical $-V$ will be 0.4 V. C_L is the total bus capacitance (per data line), and I_L is the total leakage or three state current (per data line). The hold time will be t_{DECAY} plus the minimum disable time (i.e., t_{DATRWH} for the write cycle).

Capacitive Loading

Output delays and holds are based on standard capacitive loads: 50 pF on all pins (see Figure 35). The delay and hold specifications given should be derated by a factor of 1.5 ns/50 pF for loads other than the nominal value of 50 pF. Figure 33 and Figure 34 show how output rise time varies with capacitance. These figures also show graphically how output delays and holds vary with load capacitance. (Note that this graph or derating does not apply to output disable delays; see Output Disable Time on page 43.) The graphs in these figures may not be linear outside the ranges shown.

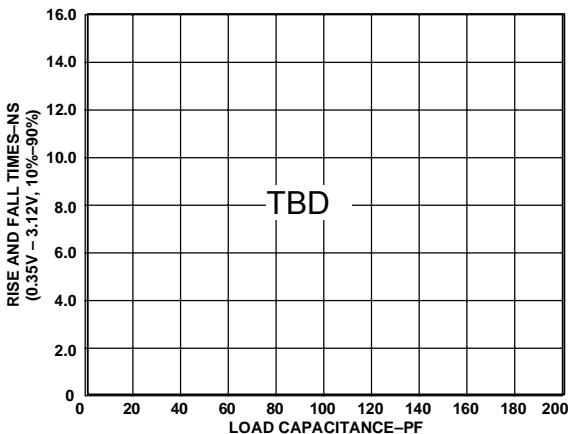


Figure 33. Typical Output Rise Time (10%–90%, $V_{DDEXT} = Max$) vs. Load Capacitance

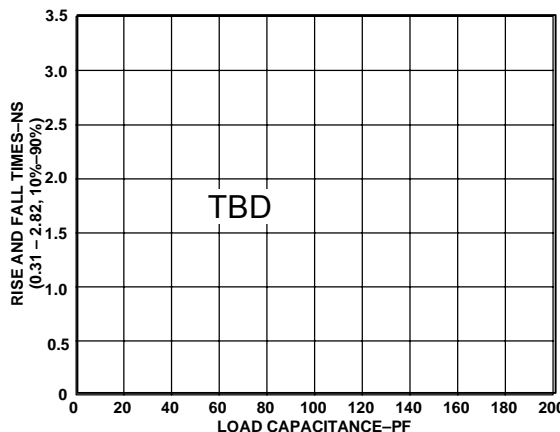


Figure 34. Typical Output Rise Time (10%–90%, $V_{DDEXT} = Min$) vs. Load Capacitance

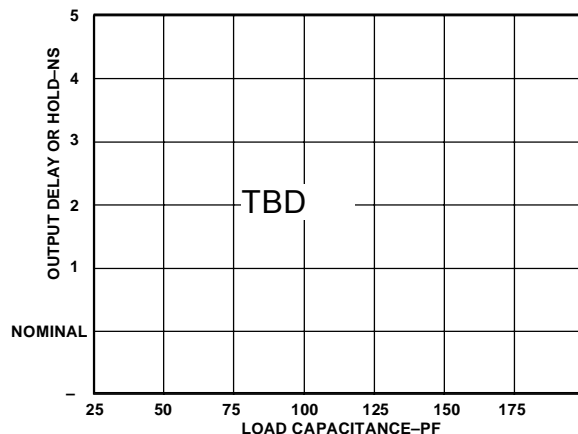


Figure 35. Typical Output Delay or Hold vs. Load Capacitance (at Max Case Temperature)

Environmental Conditions

The thermal characteristics in which the DSP is operating influence performance.

Thermal Characteristics

The ADSP-21992 comes in a 196-lead Ball Grid Array (mini-BGA) package. The ADSP-21992 is specified for an ambient temperature (T_{AMB}) as calculated using the formula in Figure 36. To ensure that the T_{AMB} data sheet specification is not exceeded, a heatsink and/or an air flow source may be used. A heatsink should be attached to the ground plane (as close as possible to the thermal pathways) with a thermal adhesive.

$$T_{AMB} = T_{CASE} - PD \times \theta_{CA}$$

Figure 36. T_{CASE} Calculation

Where:

- T_{AMB} = Ambient temperature (measured near top surface of package)
- PD = Power dissipation in W (this value depends upon the specific application; a method for calculating PD is shown under Power Dissipation).
- θ_{CA} = Value from Table 19.
- θ_{JB} = TBD°C/W

There are some important things to note about these T_{AMB} calculations and the values in Table 19:

- This represents thermal resistance at total power of TBD W.
- For the mini-BGA package: $\theta_{JC} = 8.4^{\circ}\text{C/W}$

Table 19. θ_{CA} Values¹

Airflow (Linear Ft./Min.)	0	100	200	400	600
Airflow (Meters/Second)	0	0.5	1	2	3
Mini-BGA: θ_{CA} ($^{\circ}\text{C/W}$)	26	24	22	20.9	19.8

¹These are preliminary estimates.

ADSP-21992 Pinout

Table 20 identifies the signal for each LQFP lead number.

Table 21 identifies the LQFP lead number for each signal name.

Table 5 describes each signal.

PRELIMINARY TECHNICAL DATA

August 2002

For current information contact Analog Devices at (781) 937-1799

ADSP-21992

**Table 20. 176-lead LQFP
Signal By Lead Number**

Lead #	Signal	Lead #	Signal	Lead #	Signal	Lead #	Signal
1	N/C	45	VDDEXT	89	N/C	133	VDDEXT
2	N/C	46	A4	90	N/C	134	PF11
3	VDDEXT	47	A3	91	VDDEXT	135	PF10
4	RCLK	48	A2	92	BYPASS	136	PF9
5	SCK	49	A1	93	BMODE0	137	PF8
6	MISO	50	A0	94	BMODE1	138	PF7/SPISEL7
7	MOSI	51	D15	95	BMODE2	139	PF6/SPISEL6
8	\overline{RD}	52	D14	96	N/C	140	PF5/SPISEL5
9	\overline{WR}	53	D13	97	DGND	141	PF4/SPISEL4
10	ACK	54	D12	98	VDDINT	142	DGND
11	\overline{BR}	55	D11	99	\overline{EMU}	143	VDDEXT
12	\overline{BG}	56	DGND	100	\overline{TRST}	144	PF3/SPISEL3
13	\overline{BGH}	57	VDDEXT	101	TDO	145	PF2/SPISEL2
14	\overline{IOMS}	58	DGND	102	TDI	146	PF1/SPISEL1
15	\overline{BMS}	59	VDDINT	103	TMS	147	PF0/SPISS0
16	$\overline{MS3}$	60	D10	104	TCK	148	DGND
17	DGND	61	D9	105	\overline{POR}	149	VDDINT
18	VDDEXT	62	D8	106	\overline{RESET}	150	AVSS
19	$\overline{MS2}$	63	D7	107	CLKIN	151	AVDD
20	$\overline{MS1}$	64	D6	108	XTAL	152	N/C
21	$\overline{MS0}$	65	D5	109	CLKOUT	153	VREF
22	DGND	66	DGND	110	CONVST	154	CML
23	VDDINT	67	VDDINT	111	TMR0	155	CAPT
24	A19	68	D4	112	DGND	156	CAPB
25	A18	69	D3	113	VDDEXT	157	SENSE
26	A17	70	D2	114	TMR1	158	VIN3
27	A16	71	D1	115	TMR2	159	VIN2
28	A15	72	D0	116	EIS	160	VIN1
29	A14	73	CANRX	117	DGND	161	VIN0
30	A13	74	DGND	118	VDDINT	162	ASHAN
31	DGND	75	VDDEXT	119	EIZ	163	BSHAN
32	VDDEXT	76	CL	120	EIB	164	VIN4
33	A12	77	CH	121	EIA	165	VIN5
34	A11	78	BL	122	$\overline{AUXTRIP}$	166	VIN6
35	A10	79	BH	123	AUX1	167	VIN7
36	A9	80	AL	124	AUX0	168	AVSS
37	A8	81	AH	125	PF15	169	AVDD
38	A7	82	CANTX	126	PF14	170	DT
39	A6	83	N/C	127	PF13	171	DR
40	A5	84	PWMSYNC	128	PF12	172	RFS
41	DGND	85	PWMPOL	129	DGND	173	TFS
42	N/C	86	\overline{PWMSR}	130	N/C	174	TCLK
43	N/C	87	$\overline{PWMTRIP}$	131	N/C	175	DGND
44	N/C	88	DGND	132	N/C	176	N/C

PRELIMINARY TECHNICAL DATA

August 2002

For current information contact Analog Devices at (781) 937-1799

ADSP-21992

**Table 21. 176-lead LQFP
Lead Number by Signal**

Signal	Lead #	Signal	Lead #	Signal	Lead #	Signal	Lead #
A0	50	CAPB	156	EIS	116	PWMTRIP	87
A1	49	CAPT	155	EIZ	119	RCLK	4
A10	35	CH	77	$\overline{\text{EMU}}$	99	$\overline{\text{RD}}$	8
A11	34	CL	76	$\overline{\text{IOMS}}$	14	$\overline{\text{RESET}}$	106
A12	33	CLKIN	107	MISO	6	RFS	172
A13	30	CLKOUT	109	MOSI	7	SCK	5
A14	29	CML	154	$\overline{\text{MS0}}$	21	SENSE	157
A15	28	CONVST	110	$\overline{\text{MS1}}$	20	TCK	104
A16	27	D0	72	$\overline{\text{MS2}}$	19	TCLK	174
A17	26	D1	71	$\overline{\text{MS3}}$	16	TDI	102
A18	25	D10	60	N/C	1	TDO	101
A19	24	D11	55	N/C	2	TFS	173
A2	48	D12	54	N/C	42	TMR0	111
A3	47	D13	53	N/C	43	TMR1	114
A4	46	D14	52	N/C	44	TMR2	115
A5	40	D15	51	N/C	83	TMS	103
A6	39	D2	70	N/C	89	$\overline{\text{TRST}}$	100
A7	38	D3	69	N/C	90	VDDEXT	3
A8	37	D4	68	N/C	96	VDDEXT	18
A9	36	D5	65	N/C	130	VDDEXT	32
ACK	10	D6	64	N/C	131	VDDEXT	45
AH	81	D7	63	N/C	132	VDDEXT	57
AL	80	D8	62	N/C	152	VDDEXT	75
ASHAN	162	D9	61	N/C	176	VDDEXT	91
AUX0	124	DGND	17	PF0/SPISS0	147	VDDEXT	113
AUX1	123	DGND	22	PF1/SPISEL1	146	VDDEXT	133
$\overline{\text{AUXTRIP}}$	122	DGND	31	PF10	135	VDDEXT	143
AVDD	151	DGND	41	PF11	134	VDDINT	23
AVDD	169	DGND	56	PF12	128	VDDINT	59
AVSS	150	DGND	58	PF13	127	VDDINT	67
AVSS	168	DGND	66	PF14	126	VDDINT	98
$\overline{\text{BG}}$	12	DGND	74	PF15	125	VDDINT	118
$\overline{\text{BGH}}$	13	DGND	88	PF2/SPISEL2	145	VDDINT	149
BH	79	DGND	97	PF3/SPISEL3	144	VIN0	161
BL	78	DGND	112	PF4/SPISEL4	141	VIN1	160
BMODE0	93	DGND	117	PF5/SPISEL5	140	VIN2	159
BMODE1	94	DGND	129	PF6/SPISEL6	139	VIN3	158
BMODE2	95	DGND	142	PF7/SPISEL7	138	VIN4	164
$\overline{\text{BMS}}$	15	DGND	148	PF8	137	VIN5	165
$\overline{\text{BR}}$	11	DGND	175	PF9	136	VIN6	166
BSHAN	163	DR	171	$\overline{\text{POR}}$	105	VIN7	167
BYPASS	92	DT	170	PWMPOL	85	VREF	153
CANRX	73	EIA	121	$\overline{\text{PWMSR}}$	86	$\overline{\text{WR}}$	9
CANTX	82	EIB	120	PWMSYNC	84	XTAL	108

PRELIMINARY TECHNICAL DATA

August 2002

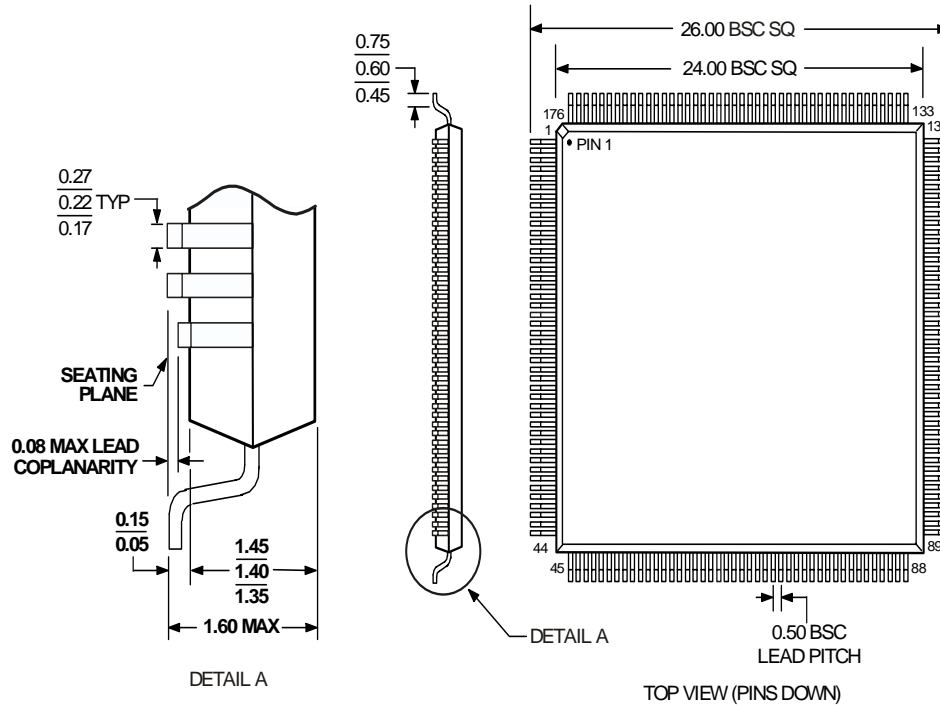
For current information contact Analog Devices at (781) 937-1799

ADSP-21992

OUTLINE DIMENSIONS

Dimensions in the outline diagram are shown in millimeters.

176-LEAD LQFP (ST-176-1)



NOTES:

1. DIMENSIONS IN MILLIMETERS.
2. ACTUAL POSITION OF EACH LEAD IS WITHIN 0.08 OF ITS IDEAL POSITION, WHEN MEASURED IN THE LATERAL DIRECTION.
3. CENTER DIMENSIONS ARE NOMINAL.

ORDERING GUIDE

Part Number	Ambient Temperature Range	Instruction Rate	Operating Voltage	Package
ADSP-21992YST	-40°C to +115°C	160 MHz	2.5 Int./3.3 Ext. V	176-lead LQFP