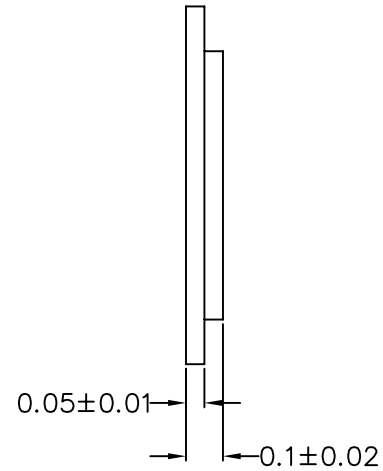
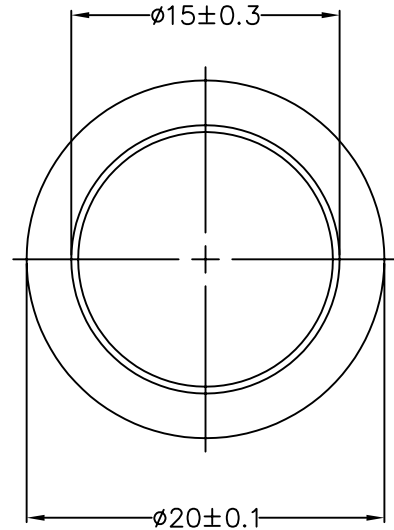


THIS DOCUMENT CONTAINS DATA PROPRIETARY TO PROJECTS UNLIMITED, INC. ANY USE OR REPRODUCTION, IN ANY FORM, WITHOUT PRIOR WRITTEN PERMISSION OF PROJECTS UNLIMITED, INC. IS PROHIBITED.  
 © 2005, Projects Unlimited Inc.

SPECIFICATIONS

PARAMETERS	VALUES	UNITS
RESONANT FREQUENCY	2000±300	Hz
RESONANT IMPEDANCE (MAX)	500	Ohm
MAX INPUT VOLTAGE	30	Vp-p
CAPACITANCE @ 1kHz	90000±30%	pF
PLATE MATERIAL	BRASS	-
OPERATING TEMPERATURE	-20 ~ +60	°C
STORAGE TEMPERATURE	-20 ~ +70	°C


REVISIONS			
LTR	DESCRIPTION	DATE	APPROVED
-	RELEASED FROM ENGINEERING	2/23/06	



NOTES:

1. ALL DIMENSIONS ARE IN MILLIMETERS.
2. SPECIFICATION SUBJECT TO CHANGE OR WITHDRAWAL WITHOUT NOTICE.
- 3, THIS PART IS RoHS 2002/95/EC COMPLIANT.

FILE NAME  
AB2020B-2.DWG

UNLESS OTHERWISE SPECIFIED: DIMENSIONS ARE IN MILLIMETERS; TOLERANCES ARE ±0.5 AND ANGLES ARE ±3°.		 <b>projects® unlimited</b> Dayton , Ohio									
<table border="1"> <tr> <th>APPROVALS</th> <th>DATE</th> </tr> <tr> <td>DRAWN <i>J.A.F.</i></td> <td>02/06</td> </tr> <tr> <td>CHECKED <i>B.R.</i></td> <td>02/06</td> </tr> <tr> <td>APPROVED <i>E.P.</i></td> <td>02/06</td> </tr> </table>		APPROVALS	DATE	DRAWN <i>J.A.F.</i>	02/06	CHECKED <i>B.R.</i>	02/06	APPROVED <i>E.P.</i>	02/06	<b>BENDER</b>	
APPROVALS	DATE										
DRAWN <i>J.A.F.</i>	02/06										
CHECKED <i>B.R.</i>	02/06										
APPROVED <i>E.P.</i>	02/06										
<table border="1"> <tr> <td>SIZE <b>A</b></td> <td>DRAWING NO. <b>AB2020B-2</b></td> </tr> </table>		SIZE <b>A</b>	DRAWING NO. <b>AB2020B-2</b>								
SIZE <b>A</b>	DRAWING NO. <b>AB2020B-2</b>										
DO NOT SCALE DRAWING		SCALE: N.T.S.	SHEET 1 OF 1								