

PLEASE CHECK WWW.MOLEX.COM FOR LATEST PART INFORMATION

Part Number: [0499468001](#)
Status: **Active**
Description: 1.27mm (.050") Wire-to-Board Terminal, Pre-Tin Plated

Documents:

[Drawing \(PDF\)](#) [RoHS Certificate of Compliance \(PDF\)](#)
[Product Specification PS-49560-001 \(PDF\)](#)

General

Product Family	Crimp Terminals
Series	49946
Crimp Quality Equipment	Yes
Product Name	N/A

Physical

Durability (mating cycles max)	30
Gender	Female
Material - Metal	Phosphor Bronze
Material - Plating Mating	Tin
Material - Plating Termination	Tin
Packaging Type	Reel
Wire Insulation Diameter	N/A
Wire Size AWG	N/A
Wire Size mm ²	N/A

Electrical

Current - Maximum per Contact	2.5A
Voltage - Maximum	125V

Material Info

Reference - Drawing Numbers

Product Specification	PS-49560-001
Sales Drawing	SD-49946-001

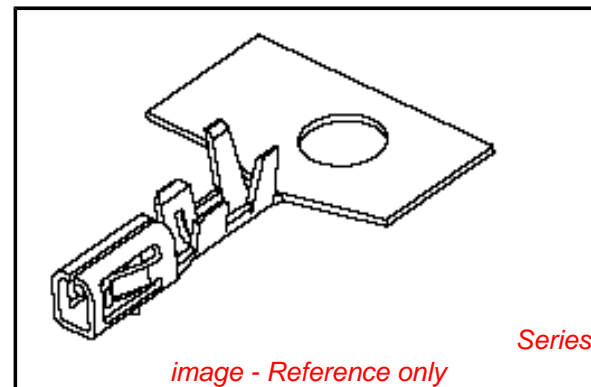


image - Reference only

EU RoHS

**ELV and RoHS
Compliant**

REACH SVHC

Contains SVHC: No

Halogen-Free

Status

Halogen-Free

China RoHS



**Need more information on product
environmental compliance?**

Email productcompliance@molex.com
 For a multiple part number RoHS Certificate of Compliance, [click here](#)

Please visit the [Contact Us](#) section for any non-product compliance questions.

Search Parts in this Series
[49946Series](#)

Use With

10 9 8 7 6 5 4 3 2 1

F

E

D

C

B

A

F

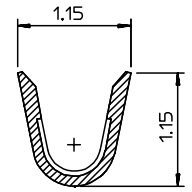
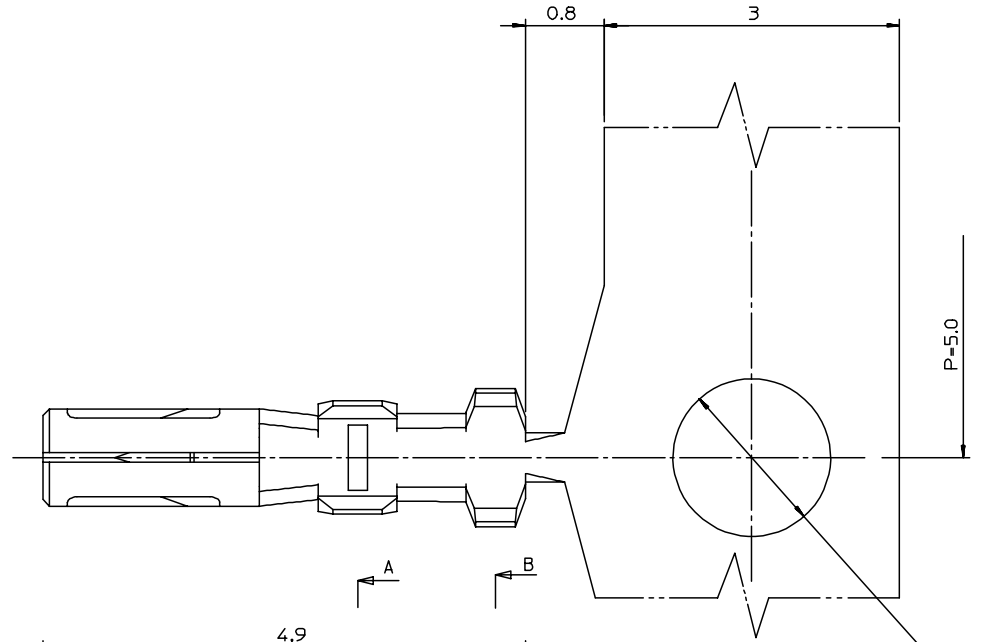
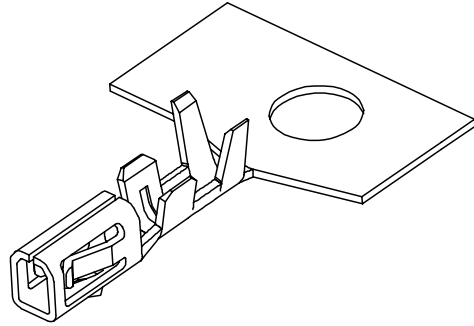
E

D

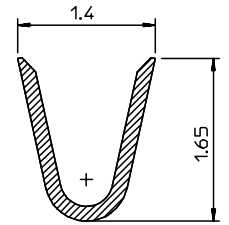
C

B

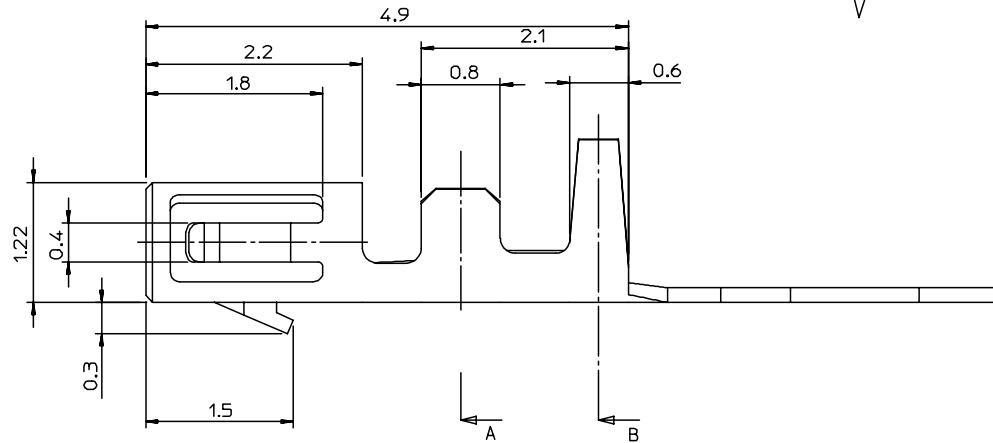
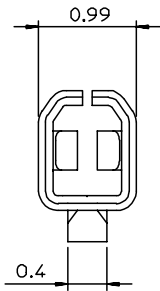
A



SECTION A-A



SECTION B-B



- NOTES
1. MATERIALS: C5210-H, 0.15mmTHICK' PRE TIN PLATED
 2. APPLICABLE HOUSING : 49560-0800

<p>NEW RELEASED EC NO: K0R2008-0024 DRWN: CCHIN 2007/08/09 CHKD: CCHIN 2007/08/09 APPR: YUNSIKKIM 2007/08/13</p>	QUALITY SYMBOLS	GENERAL TOLERANCES (UNLESS SPECIFIED)		DIMENSION STYLE	SCALE	DESIGN UNITS	THIRD ANGLE PROJECTION		
	<p>▽=0 ∇=0</p>	mm	INCH	MM ONLY	---	METRIC			
		4 PLACES ± ---	± ---	DRAWN BY	DATE	TITLE			
		3 PLACES ± ---	± ---	WY.YANG	07/01/22	1.27 W-T-B CONN 1.27 W/B TERMINAL			
	2 PLACES ± 0.2	± ---	CHECKED BY	DATE	MATERIAL NO.				
	1 PLACE ± 0.2	± ---	WY.YANG	07/01/22	499468001				
	ANGULAR ± 1°		APPROVED BY	DATE	DOCUMENT NO.		SHEET NO.		
	DRAFT WHERE APPLICABLE MUST REMAIN WITHIN DIMENSIONS				SD-49946-001		1 OF 1		
			SIZE A3		THIS DRAWING CONTAINS INFORMATION THAT IS PROPRIETARY TO MOLEX INCORPORATED AND SHOULD NOT BE USED WITHOUT WRITTEN PERMISSION				

9 8 7 6 5 4 3 2 1