

BLB101SYC-28V-P

SUPER BRIGHT YELLOW

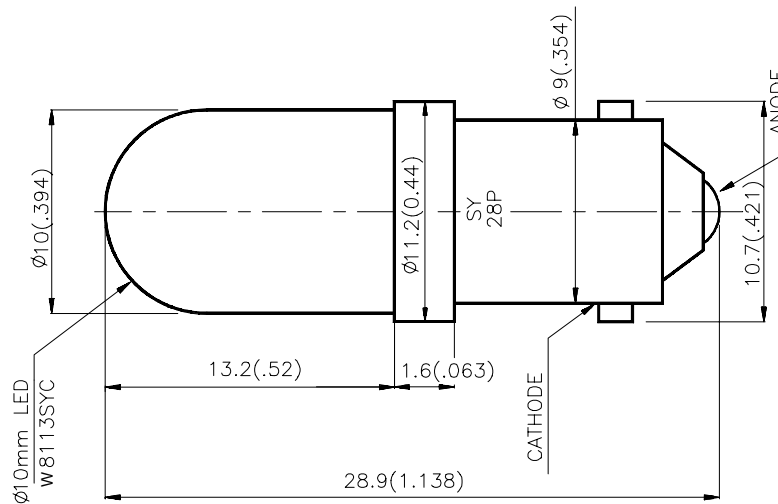
Features

- BUILT-IN CURRENT LIMITING RESISTOR FOR DIRECT APPLICATION OF DIFFERENT ACROSS CURRENT.
- LONG LIFE.
- LOW CURRENT, POWER SAVINGS.
- LOW MAINTENANCE.
- SOLID STATE, HIGH VIBRATION RESISTANT.
- 28V INTERNAL RESISTOR.

Description

Super Bright Yellow source color devices are made with DH InGaAlP on GaAs substrate Light Emitting Diode.

Package Dimensions



Notes:

1. All dimensions are in millimeters (inches).
2. Tolerance is $\pm 0.25 (0.01)$ unless otherwise noted.
3. Specifications are subject to change without notice.

Selection Guide

| Part No. | Dice | Lens Type | Iv (mcd) V=28V | | Viewing Angle |
|-----------------|-------------------------------|-------------|-------------------|------|---------------|
| | | | Min. | Typ. | θ1/2 |
| BLB101SYC-28V-P | SUPER BRIGHT YELLOW (InGaAlP) | WATER CLEAR | 180 | 380 | 20° |

Note:

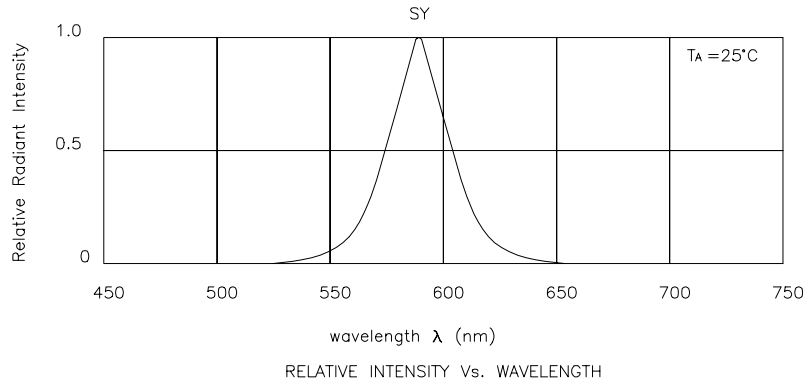
1. θ1/2 is the angle from optical centerline where the luminous intensity is 1/2 the optical centerline value.

Electrical / Optical Characteristics at T_A=25°C

| Symbol | Parameter | Device | Typ. | Max. | Units | Test Conditions |
|-------------------|--------------------------|---------------------|------|------|-------|----------------------|
| λ _{peak} | Peak Wavelength | Super Bright Yellow | 590 | | nm | V _F = 28V |
| λ _D | Dominate Wavelength | Super Bright Yellow | 588 | | nm | V _F = 28V |
| Δλ _{1/2} | Spectral Line Half-width | Super Bright Yellow | 28 | | nm | V _F = 28V |
| I _F | Forward Current | Super Bright Yellow | 11.2 | | mA | V _F = 28V |
| I _R | Reverse Current | Super Bright Yellow | | 10 | uA | V _R = 5V |

Absolute Maximum Ratings at T_A=25°C

| Parameter | Super Bright Yellow | Units |
|----------------------------|---------------------|-------|
| Power dissipation for 28V | 380 | mW |
| DC Forward Voltage for 28V | 32 | V |
| Reverse Voltage | 5 | V |
| Operating Temperature | -40°C To +70°C | |
| Storage Temperature | -40°C To +85°C | |



Super Bright Yellow

BLB101SYC-28V-P

