



Micro Commercial Components

Micro Commercial Components
 20736 Marilla Street Chatsworth
 CA 91311
 Phone: (818) 701-4933
 Fax: (818) 701-4939

2SC1740S-Q
2SC1740S-R
2SC1740S-S

Features

- Lead Free Finish/Rohs Compliant ("P" Suffix designates Compliant. See ordering information)
- Case Material: Molded Plastic. UL Flammability Classification Rating 94V-0 and MSL rating 1
- Power dissipation: $P_{CM} = 0.3W(T_{amb}=25^{\circ}C)$
- Collector current: $I_{CM} = 0.15A$
- Collector-base voltage: $V_{(BR)CBO} = 60V$
- Operating and storage junction temperature range
 $T_J, T_{stg}: -55^{\circ}C$ to $+150^{\circ}C$

Electrical Characteristics @ 25°C Unless Otherwise Specified

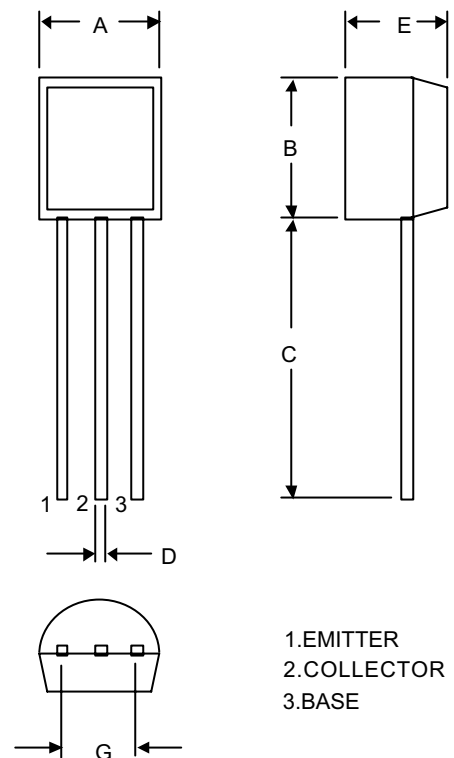
Symbol	Parameter	Min	Typ	Max	Unit
V_{CEO}	Collector-Emitter Voltage ($I_C = -50 \mu A, I_E = 0$)	50	---	---	V
V_{CBO}	Collector-Base Voltage ($I_C = -1 \mu A, I_B = 0$)	60	---	---	V
V_{EBO}	Emitter-Base Voltage ($I_E = -50 \mu A, I_C = 0$)	7.0	---	---	V
I_{CBO}	Collector cut-off Current ($V_{CB} = -20V, I_E = 0$)	---	---	0.1	μA
I_{EBO}	Emitter cut-off Current ($V_{EB} = -5V, I_C = 0$)	---	---	0.1	μA
h_{FE}	DC current gain ($V_{CE} = -2V, I_C = -0.1A$)	120	---	560	---
$V_{CE(sat)}$	Collector-Emitter Saturation Voltage ($I_C = -2A, I_B = -0.1A$)	---	---	0.4	V
f_T	Transition Frequency ($V_{CE} = 2.0V_{dc}, I_C = 0.5A_{dc}$)	100	---	---	MHz

CLASSIFICATION OF h_{FE}

Rank	Q	R	S
Range	120-270	180-390	270-560

NPN
Plastic-Encapsulate
Transistors

TO-92S



DIM	INCHES		MM		NOTE
	MIN	MAX	MIN	MAX	
A	.16	---	4.00	---	
B	.12	---	3.00	---	
C	.59	---	15.00	---	
D	.02	---	0.45	---	
E	.08	---	2.00	---	
G	.20	---	5.00	---	



Micro Commercial Components

Ordering Information

Device	Packing
(Part Number)-BP	Bulk;1000pcs/Bag

*****IMPORTANT NOTICE*****

Micro Commercial Components Corp. reserves the right to make changes without further notice to any product herein to make corrections, modifications, enhancements, improvements, or other changes. *Micro Commercial Components Corp.* does not assume any liability arising out of the application or use of any product described herein; neither does it convey any license under its patent rights, nor the rights of others. The user of products in such applications shall assume all risks of such use and will agree to hold *Micro Commercial Components Corp.* and all the companies whose products are represented on our website, harmless against all damages.

*****APPLICATIONS DISCLAIMER*****

Products offer by *Micro Commercial Components Corp.* are not intended for use in Medical, Aerospace or Military Applications.