

**PLEASE CHECK WWW.MOLEX.COM FOR LATEST PART INFORMATION**

**Part Number:** [0194290048](#)  
**Status:** **Active**  
**Overview:** [mx150I sealed connector system](#)  
**Description:** MX150L™ 16 Circuit Panel Mount Plug for 14 to 22 AWG Wire, Through Hole Flange Assembly, with Gasket

**Documents:**

[3D Model](#) [Product Specification PS-19417-001 \(PDF\)](#)  
[Drawing \(PDF\)](#) [RoHS Certificate of Compliance \(PDF\)](#)

**General**

|                             |  |
|-----------------------------|--|
| Product Family              | Crimp Housings                                 |
| Series                      | <a href="#">19429</a>                          |
| Comments                    | For Outside or Inside Panel Mount Application  |
| Overview                    | <a href="#">mx150I sealed connector system</a> |
| Product Literature Order No | 987650-2181                                    |
| Product Name                | MX150L™  |

**Physical**

|                               |                 |
|-------------------------------|-----------------|
| Circuits (maximum)            | 16              |
| Gender                        | Male            |
| Glow-Wire Compliant           | No              |
| Lock to Mating Part           | Yes             |
| Number of Rows                | 2               |
| Packaging Type                | Bag             |
| Panel Mount                   | Yes             |
| Pitch - Mating Interface (in) | 0.230 In        |
| Pitch - Mating Interface (mm) | 5.84 mm         |
| Polarized to Mating Part      | Yes             |
| Stackable                     | No              |
| Temperature Range - Operating | -40°C to +125°C |

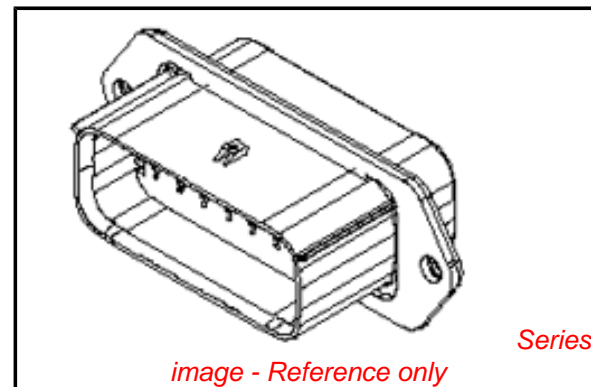
**Electrical**

|                               |     |
|-------------------------------|-----|
| Current - Maximum per Contact | 18A |
|-------------------------------|-----|

**Material Info**

**Reference - Drawing Numbers**

|                         |              |
|-------------------------|--------------|
| Packaging Specification | PK-19429-001 |
| Product Specification   | PS-19417-001 |
| Sales Drawing           | SD-19429-016 |



**EU RoHS**

**ELV and RoHS Compliant**  
**REACH SVHC**  
 Not Reviewed  
**Halogen-Free Status**  
 Not Reviewed

**China RoHS**



**Need more information on product environmental compliance?**

Email [productcompliance@molex.com](mailto:productcompliance@molex.com)  
 For a multiple part number RoHS Certificate of Compliance, [click here](#)

Please visit the [Contact Us](#) section for any non-product compliance questions.

**Search Parts in this Series**

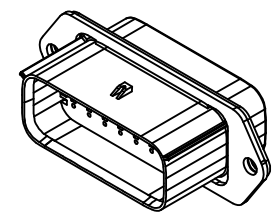
[19429Series](#)

**Mates With**

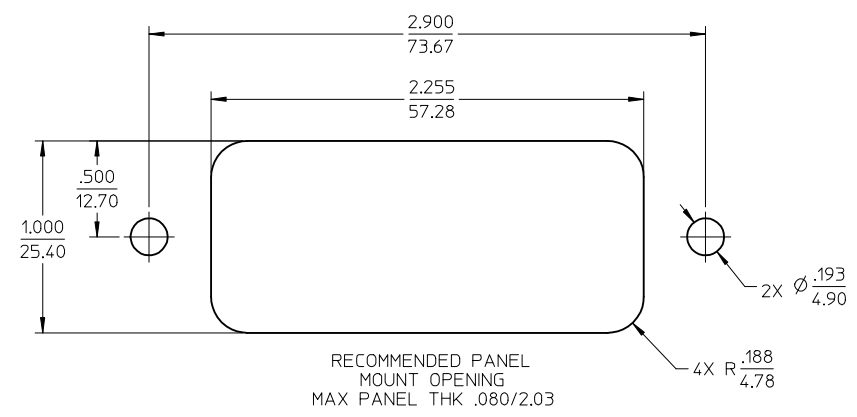
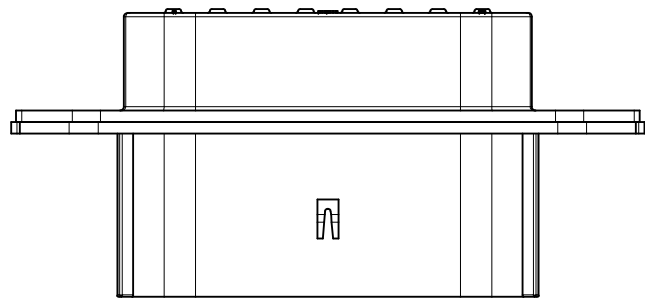
[19418 Receptacle Assemblies](#)

**Use With**

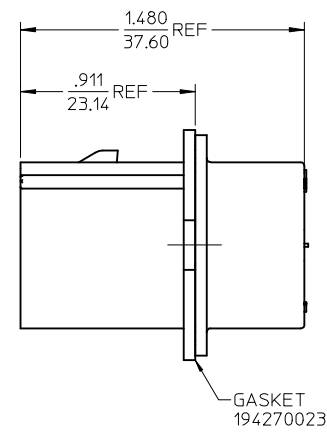
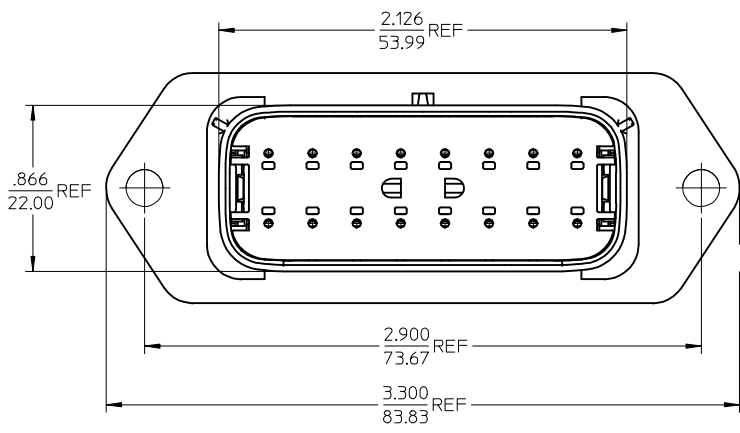
[19417 Male Crimp Terminals](#)



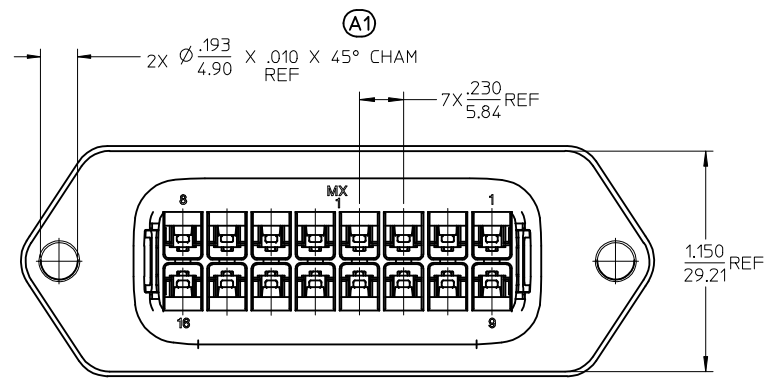
ASSEMBLED VIEW  
SCALE 1:1



RECOMMENDED PANEL  
MOUNT OPENING  
MAX PANEL THK .080/2.03



GASKET  
194270023



- NOTES:
1. ASSEMBLY BULK PACKAGED PER PK-19429-001.
  2. USE CONNECTOR WITH MALE CRIMP TERMINAL: SERIES 19417.
  3. PLUG PANEL MOUNT ASSEMBLY DESIGNED TO MATE TO 19418 SERIES RECEPTACLE ASSEMBLIES.

|                 |        |
|-----------------|--------|
| 194290048       | YES    |
| 194290032       | NO     |
| MATERIAL NUMBER | GASKET |

|   |                 |                                       |                        |              |   |                    |                 |           |
|---|-----------------|---------------------------------------|------------------------|--------------|---|--------------------|-----------------|-----------|
| UPDATE THRU HOLE DIAMETER<br>EC NO: WNA2009-0790<br>DRWN: WLEUNG 2009/06/01<br>CHKD: RDEROSS 2009/06/05<br>APPR: RDEROSS 2009/06/10 | QUALITY SYMBOLS | GENERAL TOLERANCES (UNLESS SPECIFIED) | SCALE                  | DESIGN UNITS | THIRD ANGLE PROJECTION                              | REVISE ON CAD ONLY |                 |           |
|   | ▼ -0<br>▽ -0    |                                       | mm                     | INCH         |   |                    | DIMENSION STYLE |           |
|   |                 |                                       | IN/MM                  |              |   |                    | DRAWN BY        | DATE      |
|   |                 |                                       | DRAFT WHERE APPLICABLE |              |   |                    | CHECKED BY      | DATE      |
| A1  | DESCRIPTION     | MUST REMAIN WITHIN DIMENSIONS         | APPROVED BY            | DATE         | TITLE   | MATERIAL NO.       | DOCUMENT NO.    | SHEET NO. |
|   |                 |                                       | RDEROSS                | 04/07/21     | 16 WAY PLUG PANEL MOUNT ASSEMBLY W/O BOSS 22-14 AWG | MOLEX              | SD-19429-016    | 1 OF 1    |
| THIS DRAWING CONTAINS INFORMATION THAT IS PROPRIETARY TO MOLEX INCORPORATED AND SHOULD NOT BE USED WITHOUT WRITTEN PERMISSION       |                 |                                       |                        |              |   |                    |                 |           |