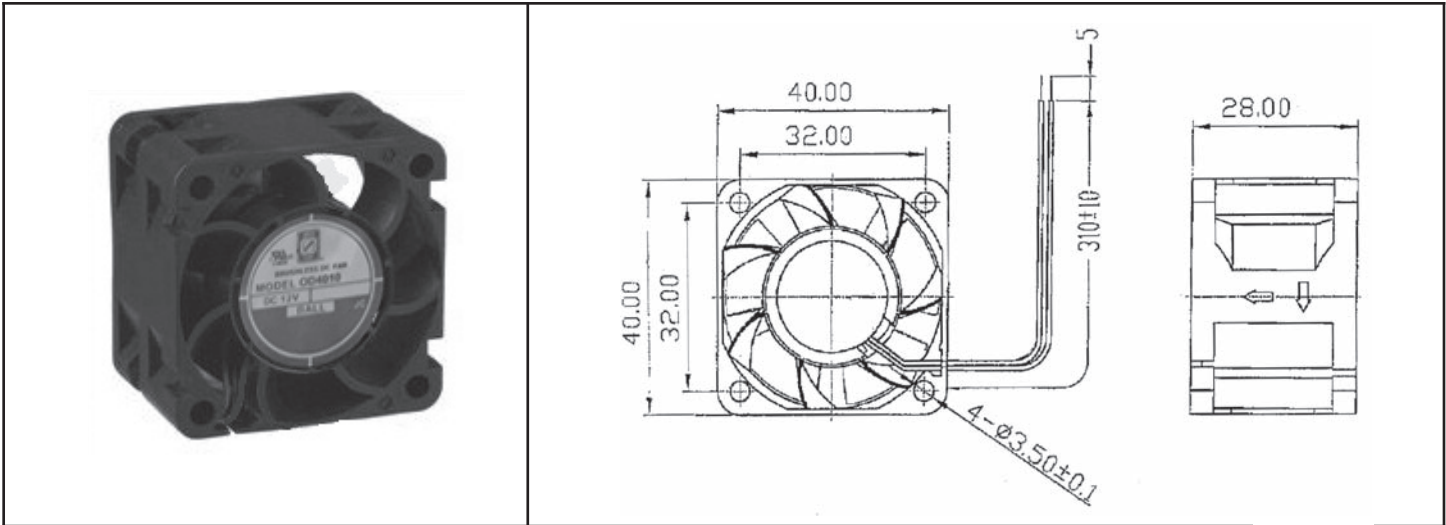


OD4028 "XC Series"



DC Fan - 12V, High Speed
40x28mm (1.58" x 1.10")



Frame & Impeller	PBT, UL94V-O plastic	Available Options: Tachometer (FG) Alarm (RD) PWM (Pulse Width Modulated speed control) Thermistor (Thermal Speed Control)	
Connection	2x Lead wires		
Motor	Brushless DC, auto restart, polarity protected.		
Bearing System	Dual ball bearing		
Insulation Resistance	Min. 10M at 500VDC		
Dielectric Strength	1 minute at 500VAC / 1 second, max leakage 500 microamp		
Temperature Range	-10C ~ +70C		
Storage Temperature	-40C ~ +80C		
Life (L10)	50,000 hours (40C)		

Part Number	OD4028-12HB-XC
Nominal Voltage	12 VDC
Voltage Range	10.8 ~ 13.2 VDC
Nominal Current	0.8 A
Start-up Voltage	9.0 VDC
Rated Power	9.5 W
Rated Speed (RPM)	16,000
Airflow (CFM)	26.5
Noise Level (dB)	57
Max. Static Pressure	1.60" H ₂ O

Frame style: m1