

FEATURES

PETERMANN

TECHNIK

Time & Frequency Components

- HIGH RELIABILITY FOR LOW COST
- SINE WAVE OUTPUT SIGNAL
- LOW HARMONIC DISTORTION
- AVAILABLE IN 5.0 AND 3.3 VOLT
- EXCELLENT CLOCK SIGNAL GENERATOR FOR DSP'S AND CPU'S
- EXTENDED TEMPERATURE RANGE TO -40/+85°C AVIALABLE

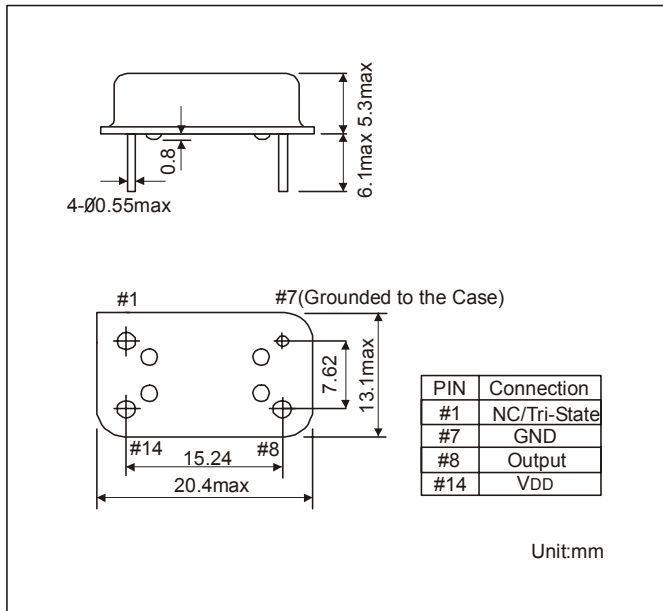
SERIES		HS14	
PACKAGE		14 PIN DIP	
FREQUENCY RANGE		1.0 ~ 156.0 MHz	
FREQUENCY STABILITY		+-20 ~ +-100 ppm	
AGING		+5 ppm per year max.	
OPERATING TEMPERATURE RANGE		0/+70°C ~ -40/+85°C	
STORAGE TEMPERATURE RANGE		-50/+100°C	
INPUT	VOLTAGE	+5.0 VDC +-5%	+3.3 VDC +-5%
	CURRENT	18 mA typ. 10.0 MHz	9 mA typ. 10.0 MHz
		34 mA typ. 100.0 MHz	18 mA typ. 100.0 MHz
		36 mA typ. 150.0 MHz	19 mA typ. 150.0 MHz
OUTPUT	SIGNAL LEVEL	SINE WAVE	
		0 dBm min. into 50 Ω (output power up to 5 dBm available)	
PIN 1	STANDARD	WITHOUT ENABLE/DISABLE FUNCTION	
	OPTION	WITH ENABLE/DISABLE FUNCTION	
TRISTATE LOGIC TABLE		PIN 1 INPUT	PIN 8 OUTPUT
		2.0V MIN. OR NOT CONNECTED	OSCILLATION
		0.8V MAX. OR GND	HIGH IMPEDANCE
PIN CONNECTION		SEE OUTLINE DRAWINGS	
HARMONICS		<-20 dBc	
START-UP TIME		10 ms max.	
OTHER PARAMETERS ARE AVAILABLE ON REQUEST / CREATE HERE YOUR SPECIFICATION			

PART NUMBERING SYSTEM

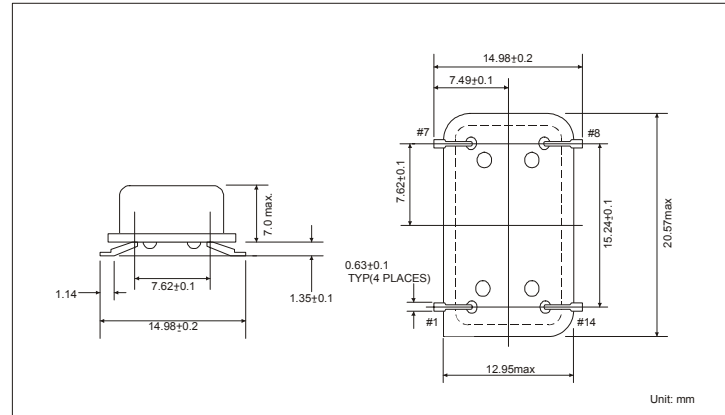
EXAMPLE	HS143-25-W-E-G-125.0MHZ
----------------	-------------------------

SERIES	HS14 FOR 5.0 VOLT VERSION
	HS143 FOR 3.3 VOLT VERSION
FREQUENCY STABILITY	BLANK FOR 100 PPM
	ANY 50 ~ 20 PPM
TEMPERATURE RANGE	BLANK FOR 0/+70°C
	N = -10/+60°C
	M = -20/+70°C
	W = -40/+85°C
PIN 1 ENABLE/DISABLE	BLANK FOR NO E/D
	E FOR E/D
PIN CONFIGURATION	BLANK FOR DIP
	G FOR GULL WING
FREQUENCY	REQUIRED FREQUENCY
OUTPUT LEVEL	INDICATE VALUE IF EXACT OUTPUT POWER IS REQUIRED OF HIGER THAN 0 dBm MIN.

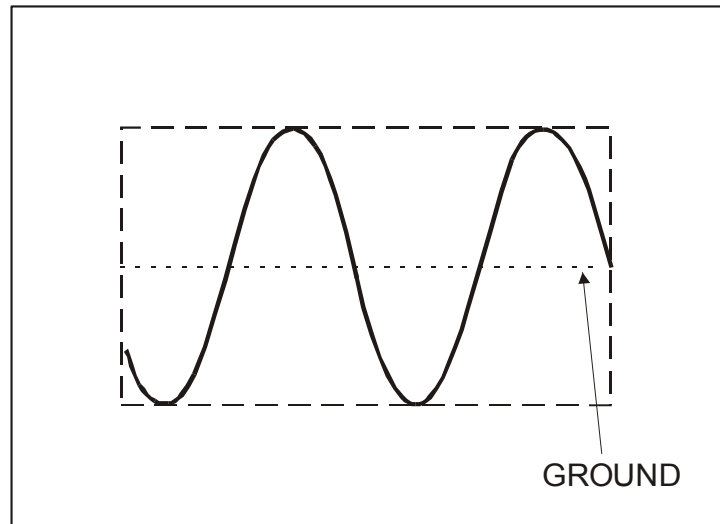
OUTLINE DRAWING OF HS14



OUTLINE DRAWING OF GULL WING



OUTPUT WAVE FORM



TEST CIRCUIT

