

SMD Schottky Barrier Diode

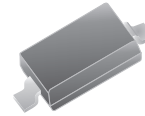


SMD Diodes Specialist

RB751V-40 (RoHS Device)

$I_o = 30 \text{ mA}$

$V_R = 30 \text{ Volts}$



Features

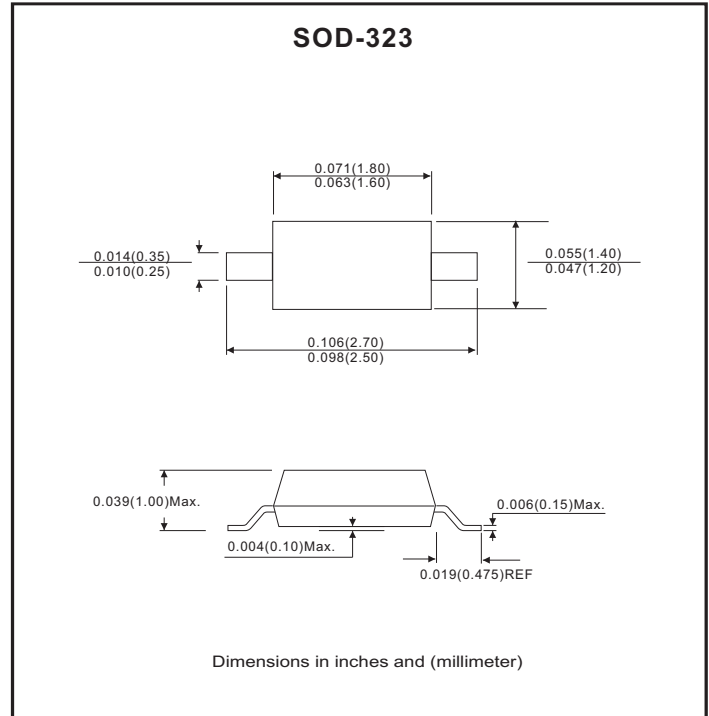
- Low current rectifier.
- Low voltage, low inductance.
- For power supply.

Mechanical data

Case: SOD-323 Standard package, molded plastic.

Terminals: Gold plated, solderable per MIL-STD-750D, method 2026.

Mounting position: Any.



Maximum Rating (at $T_A=25^\circ\text{C}$ unless otherwise noted)

Parameter	Conditions	Symbol	Min	Typ	Max	Unit
Repetitive peak reverse voltage		V_{RRM}			40	V
Reverse voltage		V_R			30	V
Average forward current		I_o			30	mA
Forward current, surge peak	8.3ms single half sine-wave superimposed on rate load (JEDEC method)	I_{FSM}			0.2	A
Storage temperature		T_{STG}	-40		+125	$^\circ\text{C}$
Junction temperature		T_j			+125	$^\circ\text{C}$

Electrical Characteristics (at $T_A=25^\circ\text{C}$ unless otherwise noted)

Parameter	Conditions	Symbol	Min	Typ	Max	Unit
Forward voltage	$I_F = 1 \text{ mA}$	V_F			0.37	V
Reverse current	$V_R = 30 \text{ V}$	I_R			0.5	μA
Junction capacitance	$V_R = 1 \text{ V}, f = 1 \text{ MHz}$	C_T		2		pF

RATING AND CHARACTERISTIC CURVES (RB751V-40)

Fig.1 Forward Characteristics

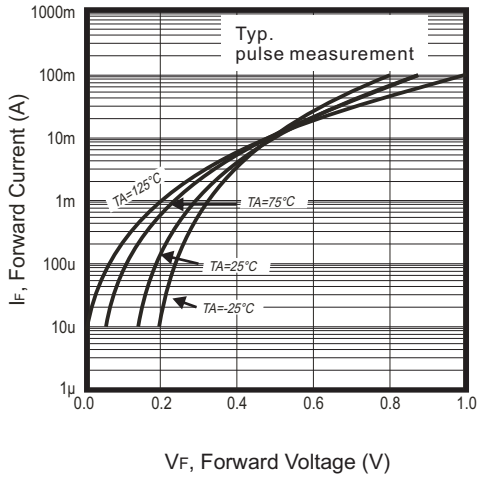


Fig. 2 - Reverse characteristics

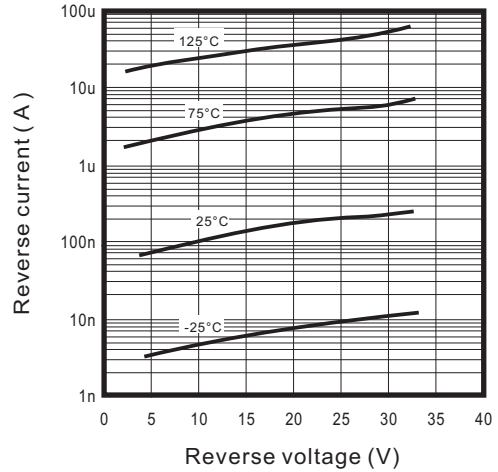
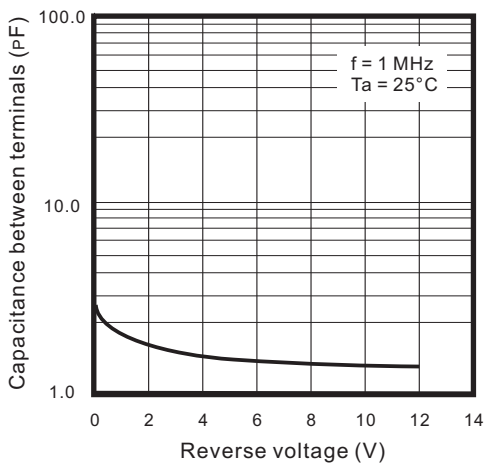
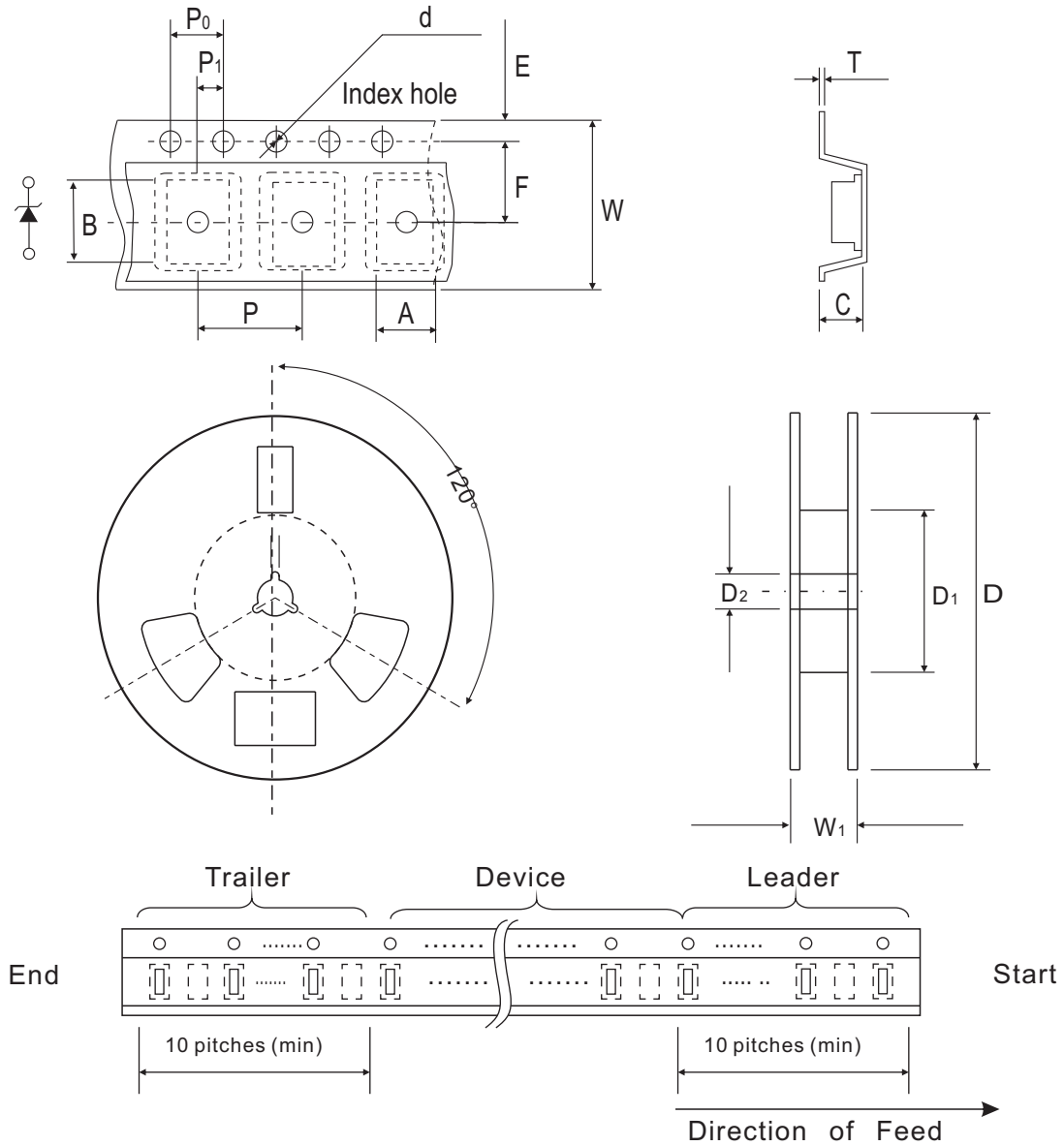


Fig. 3 - Capacitance between terminals characteristics



Reel Taping Specification



SOD-323	SYMBOL	A	B	C	d	D	D1	D2
	(mm)	1.52 ± 0.10	2.90 ± 0.10	1.35 ± 0.10	1.50 ± 0.10	178 ± 1	54.4 MIN.	13.0 ± 0.20
	(inch)	0.060 ± 0.004	0.114 ± 0.004	0.053 ± 0.004	0.059 ± 0.004	7.008 ± 0.040	2.142 MIN.	0.512 ± 0.008

SOD-323	SYMBOL	E	F	P	P0	P1	W	W1
	(mm)	1.75 ± 0.10	3.50 ± 0.05	4.00 ± 0.10	4.00 ± 0.10	2.00 ± 0.05	8.00 ± 0.30	9.5 MAX.
	(inch)	0.069 ± 0.004	0.138 ± 0.002	0.157 ± 0.004	0.157 ± 0.004	0.079 ± 0.002	0.315 ± 0.012	0.374 MAX.

Marking Code

Part Number	Marking Code
RB751V-40	5



Suggested PAD Layout

SIZE	SOD-323	
	(mm)	(inch)
A	2.33	0.092
B	0.70	0.028
C	0.70	0.028
D	3.03	0.119
E	1.63	0.064



Standard Package

Case Type	Qty per Reel	Reel Size
	(Pcs)	(inch)
SOD-323	3000	7