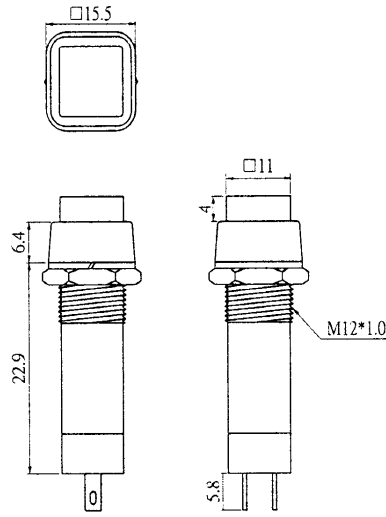
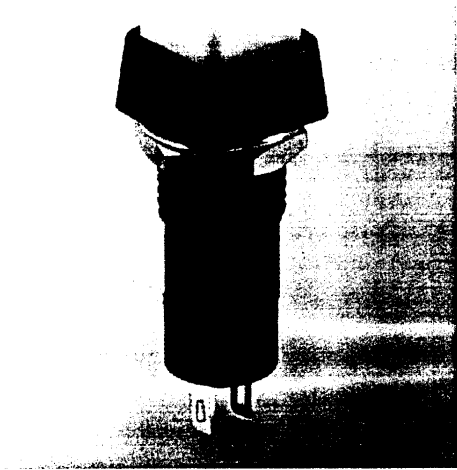


R13-23



Rating	3A 125V AC 1.5A 250V AC
Contact resistance	50mΩ Max
Insulation resistance	DC 500V 100MΩ Min
Dielectric strength	AC 1000V 1 minute
Cut-out	

FEATURES

- * MATERIAL: Actuators are ABS (UL Frames: 94HB).
- * Phenolic base.

± 4 mm max

R13-23

