

**DSP56002**  
**DSP56L002**

Product Brief  
**24-bit Digital Signal Processor**

The DSP56002 and the DSP56L002 are MPU-style general purpose Digital Signal Processors (DSPs), composed of an efficient 24-bit digital signal processor core, program and data memories, various peripherals, and support circuitry. The 56000-Family-compatible DSP core is fed by on-chip program RAM, two independent data RAMs, and two data ROMs with sine and A-law and  $\mu$ -law tables. The DSP56002/L002 contains a Serial Communication Interface (SCI), Synchronous Serial Interface (SSI), parallel Host Interface (HI), Timer/Event Counter, Phase-Locked Loop (PLL), and On-chip Emulation (OnCE™) port. This combination of features, illustrated in Figure 1, makes the DSP56002/L002 a cost-effective, high-performance solution for high-precision general-purpose digital signal processing.

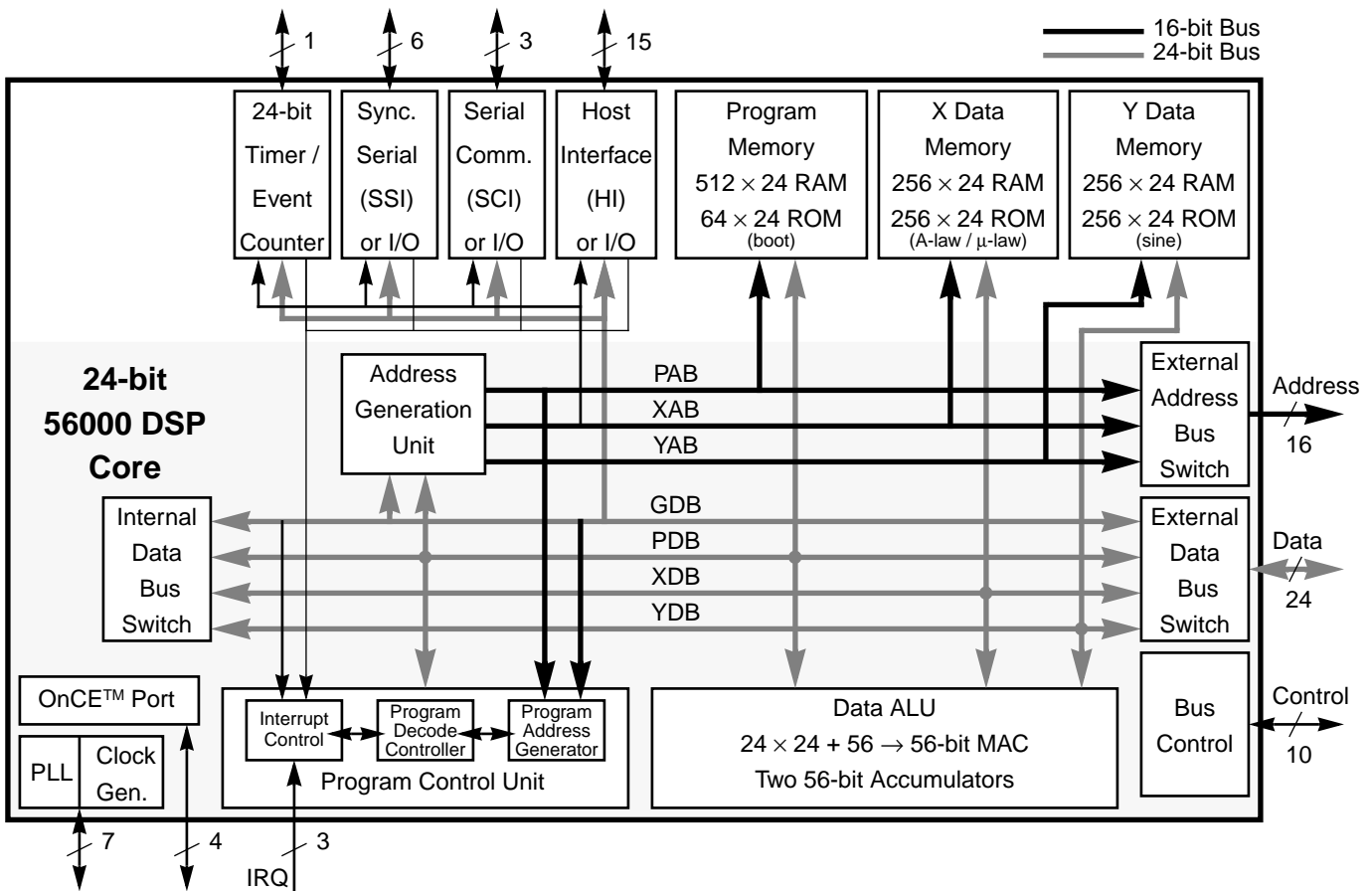


Figure 1 DSP56002/L002 Block Diagram

Motorola reserves the right to change or discontinue this product without notice.



Freescale Semiconductor, Inc.

## DSP56002/L002 Features

### Digital Signal Processing Core

- Efficient, object code compatible, 24-bit 56000-Family DSP engine
  - Up to 33 Million Instructions Per Second (MIPS) – 30.3 ns instruction cycle at 66 MHz
  - Up to 198 Million Operations Per Second (MOPS) at 66 MHz
  - Performs a 1024-point complex Fast Fourier Transform (FFT) in 59,898 clocks
  - Highly parallel instruction set with unique DSP addressing modes
  - Two 56-bit accumulators including extension by byte
  - Parallel  $24 \times 24$ -bit multiply-accumulate in 1 instruction cycle (2 clock cycles)
  - Double precision  $48 \times 48$ -bit multiply with 96-bit result in 6 instruction cycles
  - 56-bit Addition/Subtraction in 1 instruction cycle
  - Fractional and integer arithmetic with support for multiprecision arithmetic
  - Hardware support for block-floating point FFT
  - Hardware nested DO loops
  - Zero-overhead fast interrupts (2 instruction cycles)
  - Four 24-bit internal data buses and three 16-bit internal address buses for maximum information transfer on-chip

### Memory

- On-chip Harvard architecture permitting simultaneous accesses to program and two data memories
- $512 \times 24$ -bit on-chip program RAM and  $64 \times 24$ -bit bootstrap ROM
- Two  $256 \times 24$ -bit on-chip data RAMs
- Two  $256 \times 24$ -bit on-chip data ROMs containing sine, A-law and  $\mu$ -law tables
- External memory expansion with 16-bit address and 24-bit data buses
- Bootstrap loading from external data bus, Host Interface, or Serial Communications Interface

### Peripheral and Support Circuits

- Byte-wide Host Interface (HI) with direct memory access support
- Synchronous Serial Interface (SSI) to communicate with codecs and synchronous serial devices
  - Up to 32 software-selectable time slots in network mode
- Serial Communication Interface (SCI) for full-duplex asynchronous communications
- 24-bit Timer/Event Counter also generates and measures digital waveforms
- On-chip peripheral registers memory mapped in data memory space
- Double buffered peripherals

- Up to 25 general purpose I/O (GPIO) pins
- Three external interrupt request pins; one non-maskable
- On-Chip Emulation (OnCE) port for unobtrusive, processor speed-independent debugging
- Software-programmable, Phase-Locked Loop-based (PLL) frequency synthesizer for the core clock
- Power-saving Wait and Stop modes
- Fully static, HCMOS design for operating frequencies from 66 MHz or 40 MHz down to DC
- 132-pin Ceramic Pin Grid Array (PGA) package; 13 × 13 array
- 132-pin Plastic Quad Flat Pack (PQFP) surface-mount package; 24 × 24 × 4 mm
- 144-pin Thin Quad Flat Pack (TQFP) surface-mount package; 20 × 20 × 1.4 mm
- 3.3 V (DSP56L002) and 5 V (DSP56002) Power supply options

The DSP56002 and DSP56L002 are identical except that the DSP56002 operates at 5 volts, while the DSP56L002 operates at 3.3 volts with a resultant reduction in power consumption and the need for fewer batteries in a portable application.

## Documentation

The three documents listed in Table 1 are required for a complete description of the DSP56002/L002 and are necessary to properly design with the part. Documentation is available from a local Motorola distributor, a Motorola semiconductor sales office, or a Motorola Literature Distribution Center listed on the back page.

**Table 1** DSP56002/L002 Documentation

Topic	Description	Order Number
DSP56000 Family Manual	Detailed description of the 56000-family architecture and the 16-bit core processor and instruction set	DSP56KFAMUM/AD
DSP56002 User's Manual	Detailed description of memory, peripherals, and interfaces	DSP56002UM/AD
DSP56002/L002 Data Sheet	Electrical and timing specifications, and pin and package descriptions	DSP56002/D