

PLEASE CHECK WWW.MOLEX.COM FOR LATEST PART INFORMATION

Part Number: [0855135015](#)
Status: **Active**
Overview: [modular_plugs_jacks](#)
Description: SMT Jack for Mating with F.C.C 68 Plugs, 6/4 Circuits

Documents:

[3D Model](#) [Product Specification PS-85513-002 \(PDF\)](#)
[Drawing \(PDF\)](#) [RoHS Certificate of Compliance \(PDF\)](#)
[Application Specification \(PDF\)](#)

Agency Certification

UL E107635

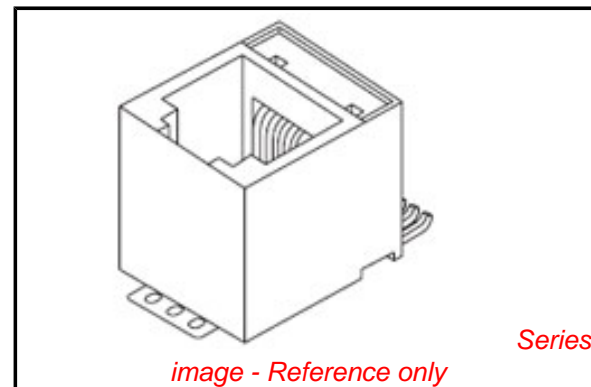
General

Product Family Modular Jacks/Plugs
 Series [85513](#)
 Comments Reel size: 13"
 Component Type PCB Jack
 Magnetic No
 Overview [modular_plugs_jacks](#)
 Performance Category 3
 Power over Ethernet (PoE) N/A
 Product Name RJ11

Physical

Boot Color N/A
 Color - Resin Black
 Durability (mating cycles max) 500
 Flammability 94V-0
 Inverted / Top Latch No
 Lightpipes/LEDs None
 Material - Metal Brass
 Material - Plating Mating Gold
 Material - Plating Termination Tin
 Material - Resin High Temperature Thermoplastic
 Orientation Vertical (Top Entry)
 PCB Locator No
 PCB Retention Yes
 Packaging Type Embossed Tape on Reel
 Pitch - Mating Interface (in) 0.040 In
 Pitch - Mating Interface (mm) 1.02 mm
 Pitch - Term. Interface (in) 0.050 In
 Pitch - Term. Interface (mm) 1.27 mm
 Plating min: Mating (µin) 50.8
 Plating min: Mating (µm) 1.27
 Plating min: Termination (µin) 76
 Plating min: Termination (µm) 1.9
 Ports 1
 Positions / Loaded Contacts 6/4
 Surface Mount Compatible (SMC) Yes
 Temperature Range - Operating -40°C to +80°C
 Termination Interface: Style Surface Mount
 Waterproof / Dustproof No
 Wire/Cable Type N/A

Electrical



EU RoHS

**ELV and RoHS
Compliant**
REACH SVHC
 Not Reviewed
**Halogen-Free
Status**
Not Reviewed

China RoHS



**Need more information on product
environmental compliance?**

Email productcompliance@molex.com
 For a multiple part number RoHS Certificate of
 Compliance, [click here](#)

Please visit the [Contact Us](#) section for any
 non-product compliance questions.

Search Parts in this Series

[85513Series](#)

Mates With

[90075 series](#)

Current - Maximum per Contact	1.5A
Shielded	No
Voltage - Maximum	125V AC (RMS)

Solder Process Data

Duration at Max. Process Temperature (seconds)	45
Lead-free Process Capability	Reflow Capable (SMT only)
Max. Cycles at Max. Process Temperature	3
Process Temperature max. C	260

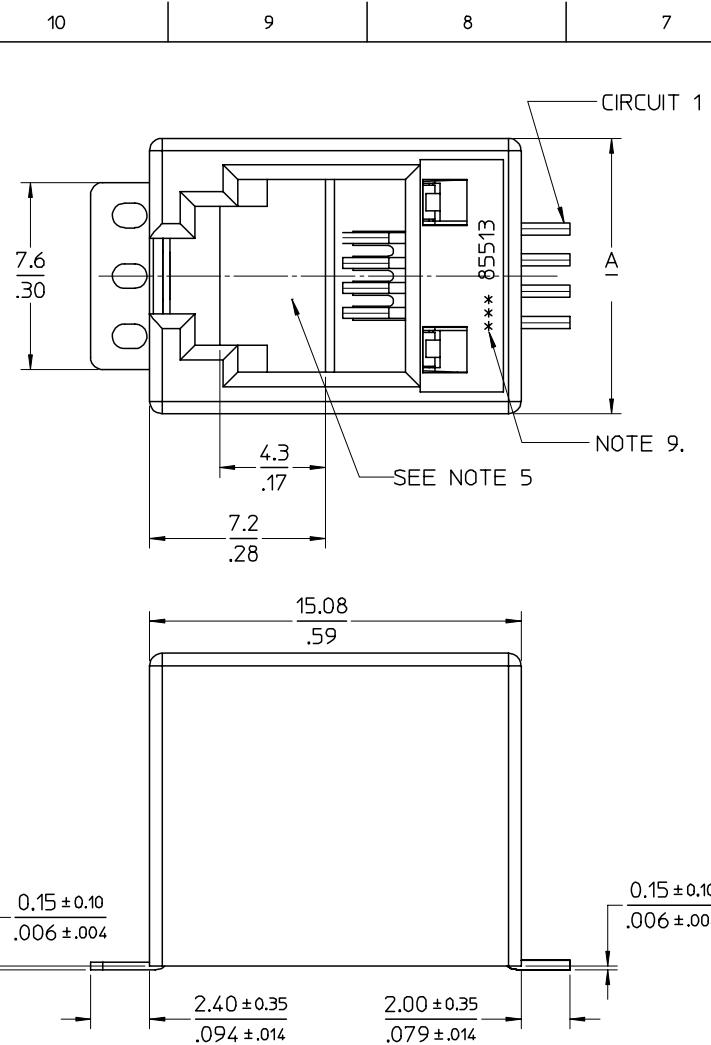
Material Info

Reference - Drawing Numbers

Packaging Specification	PK-85513-001
Product Specification	PS-85513-002
Sales Drawing	SD-85513-010

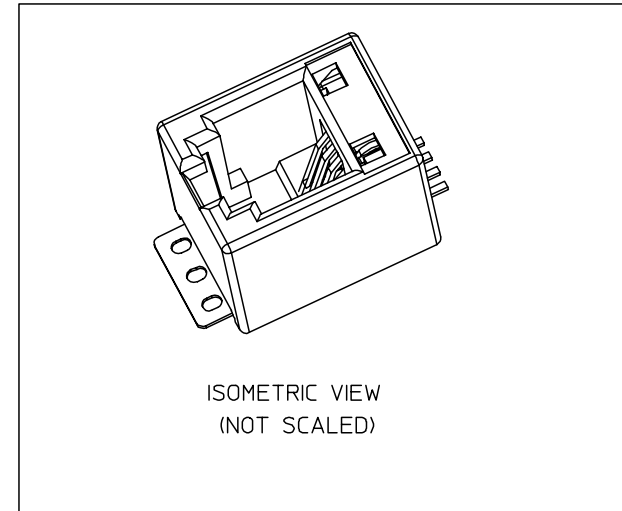
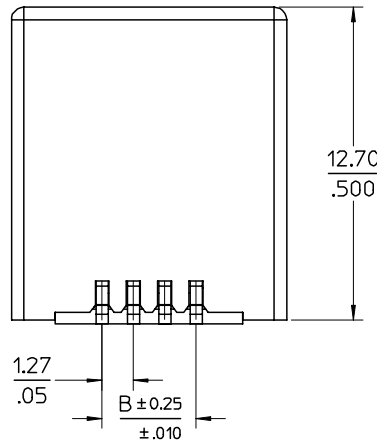
This document was generated on 06/08/2010

PLEASE CHECK WWW.MOLEX.COM FOR LATEST PART INFORMATION



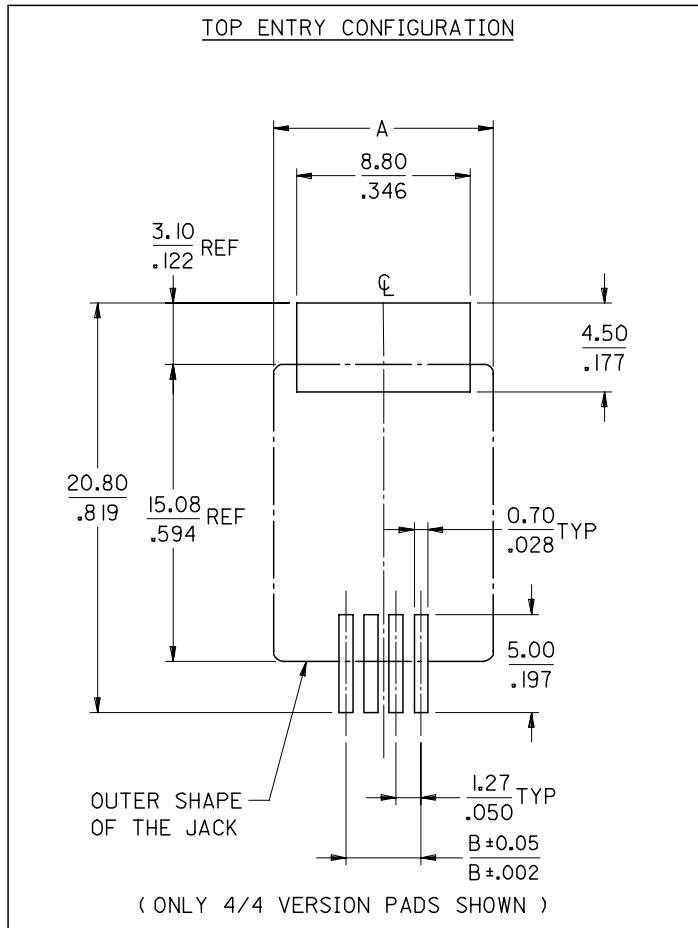
NOTES:

- 1- MATERIAL:
 - HOUSING:LCP GLASS FILLED UL 94-V0, COLOUR BLACK,
 - TERMINAL: BRASS PLATED WITH: 0.00127/.000050 MIN GOLD IN CONTACT AREA, 0.00190/.000075 MIN PURE TIN IN TAIL AREA, BOTH OVER 0.00127/.000050 MIN NICKEL OVERALL.
- 2- JACK FOR MATING WITH F.C.C.68 PLUGS (MOLEX 90075 SERIES).
- 3- PRODUCT SPECIFICATION: PS-85513-002.
- 4- PACKAGING SPECIFICATION (SEE CHART SHEET2):
 - PK-85513-001 SHEET 3 (BLISTER ON REEL 13")
 - PK-85513-001 SHEET 1 (BLISTER ON REEL 15")
 - PK-85513-001 SHEET 2 (BLISTER ON REEL 22")
- 5- FLAT SURFACE ON BOTH SIDES FOR PICK AND PLACE PURPOSE
- 6- COPLANARITY OF LEADS AND TABS: 0.10/.004 MAX
- 7- SEE RECOMMENDED PCB LAYOUT ON SHEET 2
- 8- FOR DRAWING PURPOSE, ONLY 4/4 VERSION SHOWN.
- 9- MANUFACTURING I.D CAN BE EITHER MXF,MG OR MXI.
- 10- APPLICATION SPEC AS-85513-001



MODIFIED MATERIAL. EC NO: E2007-0716 DRWN:DBYRNES 2007/02/15 CHKD: 2007/02/15 APPR:EOMAHONY 2007/02/15	QUALITY SYMBOLS	GENERAL TOLERANCES (UNLESS SPECIFIED)	DIMENSION STYLE	SCALE	DESIGN UNITS	THIRD ANGLE PROJECTION																		
	$\nabla=0$ $\sphericalangle=0$	<table border="1"> <thead> <tr> <th></th> <th>mm</th> <th>INCH</th> </tr> </thead> <tbody> <tr> <td>4 PLACES</td> <td>± ---</td> <td>± ---</td> </tr> <tr> <td>3 PLACES</td> <td>± ---</td> <td>± .006</td> </tr> <tr> <td>2 PLACES</td> <td>± 0.15</td> <td>± .010</td> </tr> <tr> <td>1 PLACE</td> <td>± 0.25</td> <td>± ---</td> </tr> <tr> <td colspan="3">ANGULAR ± 2 °</td> </tr> </tbody> </table>		mm	INCH	4 PLACES	± ---	± ---	3 PLACES	± ---	± .006	2 PLACES	± 0.15	± .010	1 PLACE	± 0.25	± ---	ANGULAR ± 2 °			MM/IN	5:1	METRIC	
		mm	INCH																					
	4 PLACES	± ---	± ---																					
3 PLACES	± ---	± .006																						
2 PLACES	± 0.15	± .010																						
1 PLACE	± 0.25	± ---																						
ANGULAR ± 2 °																								
DESCRIPTION	TITLE	DRAWN BY	DATE	LOW PROFILE TOP ENTRY TRUE SMT JACK WITH P&P SURFACE(SHORT VERSION)																				
REV	SIZE	CHECKED BY	DATE	MOLEX INCORPORATED																				
	A3	APPROVED BY	DATE	MATERIAL NO.	DOCUMENT NO.	SHEET NO.																		
		EOMAHONY	2006/08/17	SEE CHART	SD-85513-010	1 OF 2																		
DRAFT WHERE APPLICABLE MUST REMAIN WITHIN DIMENSIONS																								
THIS DRAWING CONTAINS INFORMATION THAT IS PROPRIETARY TO MOLEX INCORPORATED AND SHOULD NOT BE USED WITHOUT WRITTEN PERMISSION																								

RECOMMENDED PCB LAYOUTS
(SEE FROM COMPONENT SIDE)



PART. NO.	HOUSING SIZE	LOADED CKTS	TOOLED	A	B	PACKAGING	PACKAGING SPEC.
85513-5013	8	8	YES	15.24 .600	8.89 .350	BLISTER ON REEL 13"	PK-85513-001 SHEET 3
85513-5001			YES			BLISTER ON REEL 15"	PK-85513-001 SHEET 1
85513-5009			YES			BLISTER ON REEL 22"	PK-85513-001 SHEET 2
85513-5014	6	6	YES	13.21 .520	6.35 .250	BLISTER ON REEL 13"	PK-85513-001 SHEET 3
85513-5002			YES			BLISTER ON REEL 15"	PK-85513-001 SHEET 1
85513-5010			YES			BLISTER ON REEL 22"	PK-85513-001 SHEET 2
85513-5015	6	4	YES	13.21 .520	3.81 .150	BLISTER ON REEL 13"	PK-85513-001 SHEET 3
85513-5003			YES			BLISTER ON REEL 15"	PK-85513-001 SHEET 1
85513-5011			YES			BLISTER ON REEL 22"	PK-85513-001 SHEET 2
85513-5016	4	4	YES	11.18 .440	3.81 .150	BLISTER ON REEL 13"	PK-85513-001 SHEET 3
85513-5004			YES			BLISTER ON REEL 15"	PK-85513-001 SHEET 1
85513-5012			YES			BLISTER ON REEL 22"	PK-85513-001 SHEET 2

SEE SHEET 1 EC NO: E2007-0716 DRWN: DBYRNES 2007/02/15 CHKD: 2007/02/15 APPR: EOMAHONY 2007/02/15	QUALITY SYMBOLS	GENERAL TOLERANCES (UNLESS SPECIFIED)	DIMENSION STYLE MM/IN	SCALE 1:1	DESIGN UNITS METRIC	THIRD ANGLE PROJECTION
	▽=0 ∇=0	4 PLACES ± --- ± --- 3 PLACES ± --- ± .006 2 PLACES ± 0.15 ± .010 1 PLACE ± 0.25 ± --- ANGULAR ± 2 °	DRAWN BY DATE DBYRNES 2006/08/17 CHECKED BY DATE EOMAHONY 2006/08/17 APPROVED BY DATE EOMAHONY 2006/08/17	TITLE	LOW PROFILE TOP ENTRY TRUE SMT JACK WITH P&P SURFACE(SHORT VERSION)	
		DRAFT WHERE APPLICABLE MUST REMAIN WITHIN DIMENSIONS	MATERIAL NO. SEE CHART SIZE A3	MOLEX INCORPORATED DOCUMENT NO. SD-85513-010	SHEET NO. 2 OF 2	
			THIS DRAWING CONTAINS INFORMATION THAT IS PROPRIETARY TO MOLEX INCORPORATED AND SHOULD NOT BE USED WITHOUT WRITTEN PERMISSION			