

PLEASE CHECK WWW.MOLEX.COM FOR LATEST PART INFORMATION

Part Number: [0855135002](#)
Status: **Active**
Description: SMT Jack for Mating with F.C.C 68 Plugs, 6 Circuits

Documents:

[3D Model](#) [Product Specification PS-85513-002 \(PDF\)](#)
[Drawing \(PDF\)](#) [RoHS Certificate of Compliance \(PDF\)](#)
[Application Specification \(PDF\)](#)

Agency Certification

UL E107635

General

Product Family Modular Jacks/Plugs
 Series [85513](#)
 Comments Reel size:15"
 Component Type PCB Jack
 Magnetic No
 Performance Category 3
 Power over Ethernet (PoE) N/A
 Product Name RJ12

Physical

Boot Color N/A
 Color - Resin Black
 Durability (mating cycles max) 500
 Flammability 94V-0
 Inverted / Top Latch No
 Lightpipes/LEDs None
 Material - Metal Brass
 Material - Plating Mating Gold
 Material - Plating Termination Tin
 Material - Resin High Temperature Thermoplastic
 Orientation Vertical (Top Entry)
 PCB Locator No
 PCB Retention Yes
 Packaging Type Embossed Tape on Reel
 Pitch - Mating Interface (in) 0.040 In
 Pitch - Mating Interface (mm) 1.02 mm
 Pitch - Term. Interface (in) 0.050 In
 Pitch - Term. Interface (mm) 1.27 mm
 Plating min: Mating (µin) 50.8
 Plating min: Mating (µm) 1.27
 Plating min: Termination (µin) 76
 Plating min: Termination (µm) 1.9
 Ports 1
 Positions / Loaded Contacts 6/6
 Surface Mount Compatible (SMC) Yes
 Temperature Range - Operating -40°C to +80°C
 Termination Interface: Style Surface Mount
 Waterproof / Dustproof No
 Wire/Cable Type N/A

Electrical

Current - Maximum per Contact 1.5A
 Shielded No

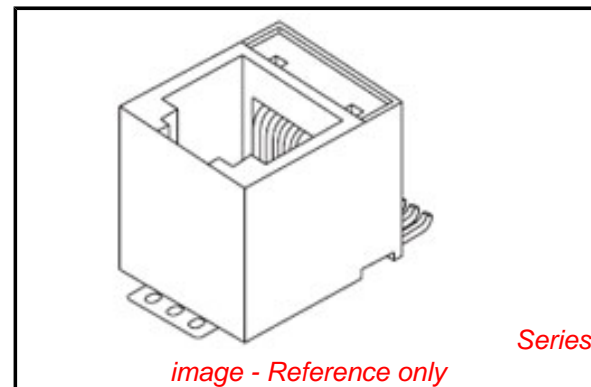


image - Reference only

EU RoHS

**ELV and RoHS
 Compliant**
REACH SVHC
 Not Reviewed
**Halogen-Free
 Status**
Not Reviewed

China RoHS



**Need more information on product
 environmental compliance?**

Email productcompliance@molex.com
 For a multiple part number RoHS Certificate of
 Compliance, [click here](#)

Please visit the [Contact Us](#) section for any
 non-product compliance questions.

Search Parts in this Series

[85513Series](#)

Mates With

[90075 series](#)

Voltage - Maximum 125V AC (RMS)

Solder Process Data

| | |
|--|---------------------------|
| Duration at Max. Process Temperature (seconds) | 45 |
| Lead-free Process Capability | Reflow Capable (SMT only) |
| Max. Cycles at Max. Process Temperature | 3 |
| Process Temperature max. C | 260 |

Material Info

Reference - Drawing Numbers

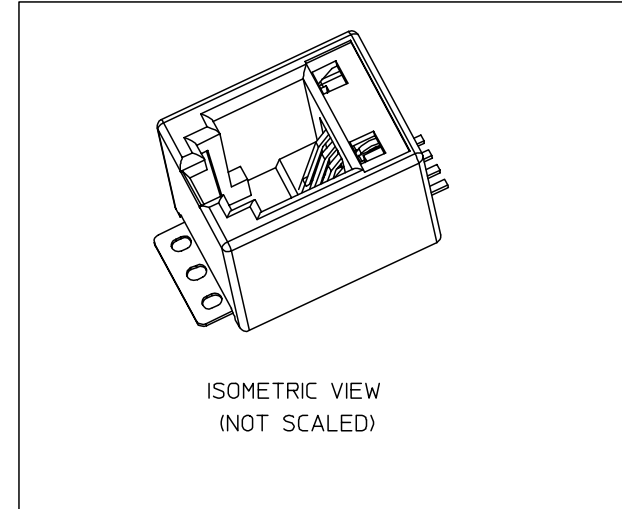
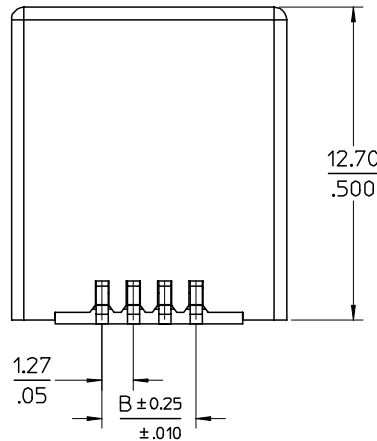
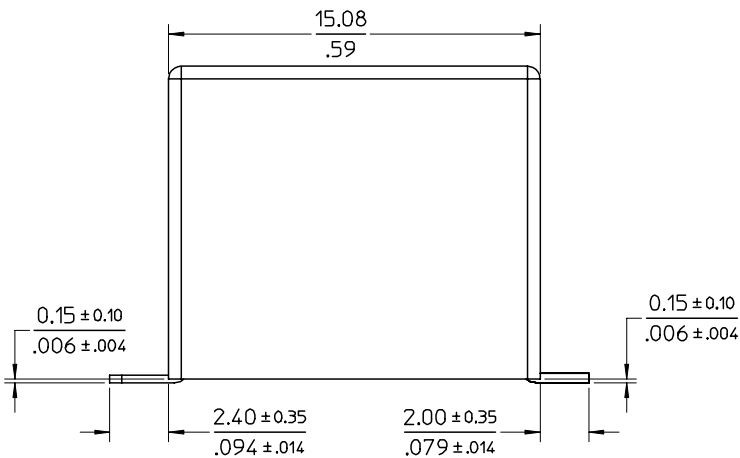
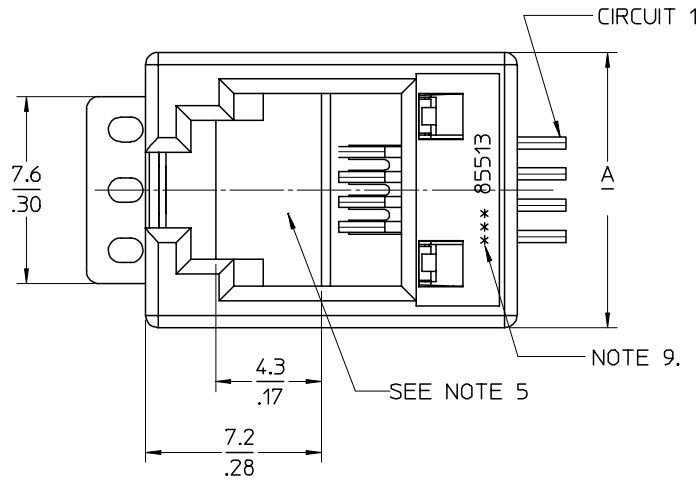
| | |
|---------------------------|--------------|
| Application Specification | AS-85513-001 |
| Packaging Specification | PK-85513-001 |
| Product Specification | PS-85513-002 |
| Sales Drawing | SD-85513-010 |

This document was generated on 06/08/2010

PLEASE CHECK WWW.MOLEX.COM FOR LATEST PART INFORMATION

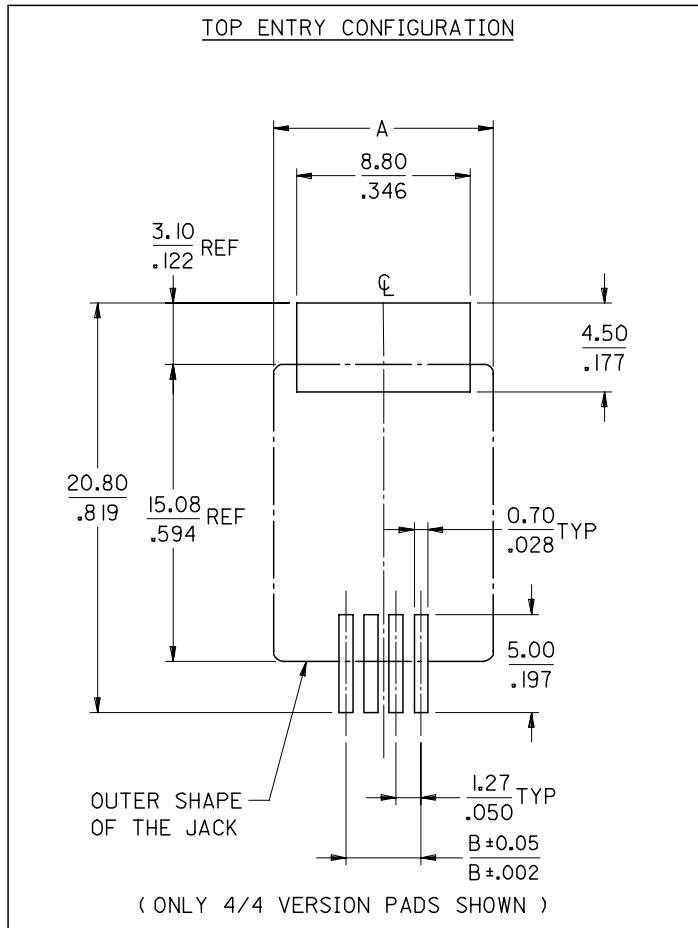
NOTES:

- 1- MATERIAL:
 - HOUSING:LCP GLASS FILLED UL 94-V0, COLOUR BLACK,
 - TERMINAL: BRASS PLATED WITH: 0.00127/.000050 MIN GOLD IN CONTACT AREA, 0.00190/.000075 MIN PURE TIN IN TAIL AREA, BOTH OVER 0.00127/.000050 MIN NICKEL OVERALL.
- 2- JACK FOR MATING WITH F.C.C.68 PLUGS (MOLEX 90075 SERIES).
- 3- PRODUCT SPECIFICATION: PS-85513-002.
- 4- PACKAGING SPECIFICATION (SEE CHART SHEET2):
 - PK-85513-001 SHEET 3 (BLISTER ON REEL 13")
 - PK-85513-001 SHEET 1 (BLISTER ON REEL 15")
 - PK-85513-001 SHEET 2 (BLISTER ON REEL 22")
- 5- FLAT SURFACE ON BOTH SIDES FOR PICK AND PLACE PURPOSE
- 6- COPLANARITY OF LEADS AND TABS: 0.10/.004 MAX
- 7- SEE RECOMMENDED PCB LAYOUT ON SHEET 2
- 8- FOR DRAWING PURPOSE, ONLY 4/4 VERSION SHOWN.
- 9- MANUFACTURING I.D CAN BE EITHER MXF,MG OR MXI.
- 10- APPLICATION SPEC AS-85513-001



| | | | | | | | | | | | | | |
|---|--|--------------------|---|--|------|-----------------|-----|--|--|------------------------|--|---------------------|--|
| MODIFIED MATERIAL. EC NO: E2007-0716 DRWN:DBYRNES CHKD: APPR:EOMAHONY | 2007/02/15 2007/02/15 2007/02/15 | DESCRIPTION REV | QUALITY SYMBOLS | GENERAL TOLERANCES (UNLESS SPECIFIED) | | DIMENSION STYLE | | SCALE | DESIGN UNITS | THIRD ANGLE PROJECTION | | | |
| | | | $\nabla=0$ $\nabla C=0$ | mm | INCH | MM/IN | 5:1 | METRIC | DRAWN BY DATE DBYRNES 2006/08/17 CHECKED BY DATE EOMAHONY 2006/08/17 APPROVED BY DATE EOMAHONY 2006/08/17 | | TITLE LOW PROFILE TOP ENTRY TRUE SMT JACK WITH P&P SURFACE(SHORT VERSION) | | |
| | | | 4 PLACES ± --- ± --- 3 PLACES ± --- ± .006 2 PLACES ± 0.15 ± .010 1 PLACE ± 0.25 ± --- ANGULAR ± 2 ° | DRAFT WHERE APPLICABLE MUST REMAIN WITHIN DIMENSIONS | | SEE CHART | | MATERIAL NO. DOCUMENT NO. SD-85513-010 | | MOLEX INCORPORATED | | SHEET NO. 1 OF 2 | |
| | | | THIS DRAWING CONTAINS INFORMATION THAT IS PROPRIETARY TO MOLEX INCORPORATED AND SHOULD NOT BE USED WITHOUT WRITTEN PERMISSION | | | | | | | | | | |

RECOMMENDED PCB LAYOUTS
(SEE FROM COMPONENT SIDE)



| PART. NO. | HOUSING SIZE | LOADED CKTS | TOOLED | A | B | PACKAGING | PACKAGING SPEC. |
|------------|--------------|-------------|--------|---------------|--------------|---------------------|----------------------|
| 85513-5013 | 8 | 8 | YES | 15.24 .600 | 8.89 .350 | BLISTER ON REEL 13" | PK-85513-001 SHEET 3 |
| 85513-5001 | | | YES | | | BLISTER ON REEL 15" | PK-85513-001 SHEET 1 |
| 85513-5009 | | | YES | | | BLISTER ON REEL 22" | PK-85513-001 SHEET 2 |
| 85513-5014 | 6 | 6 | YES | 13.21 .520 | 6.35 .250 | BLISTER ON REEL 13" | PK-85513-001 SHEET 3 |
| 85513-5002 | | | YES | | | BLISTER ON REEL 15" | PK-85513-001 SHEET 1 |
| 85513-5010 | | | YES | | | BLISTER ON REEL 22" | PK-85513-001 SHEET 2 |
| 85513-5015 | 6 | 4 | YES | 13.21 .520 | 3.81 .150 | BLISTER ON REEL 13" | PK-85513-001 SHEET 3 |
| 85513-5003 | | | YES | | | BLISTER ON REEL 15" | PK-85513-001 SHEET 1 |
| 85513-5011 | | | YES | | | BLISTER ON REEL 22" | PK-85513-001 SHEET 2 |
| 85513-5016 | 4 | 4 | YES | 11.18 .440 | 3.81 .150 | BLISTER ON REEL 13" | PK-85513-001 SHEET 3 |
| 85513-5004 | | | YES | | | BLISTER ON REEL 15" | PK-85513-001 SHEET 1 |
| 85513-5012 | | | YES | | | BLISTER ON REEL 22" | PK-85513-001 SHEET 2 |

| SEE SHEET 1 EC NO: E2007-0716 DRWN: DBYRNES 2007/02/15 CHKD: 2007/02/15 APPR: EOMAHONY 2007/02/15 | QUALITY SYMBOLS ▽=0 ◻=0 | GENERAL TOLERANCES (UNLESS SPECIFIED) <table border="1"> <thead> <tr> <th></th> <th>mm</th> <th>INCH</th> </tr> </thead> <tbody> <tr> <td>4 PLACES</td> <td>± ---</td> <td>± ---</td> </tr> <tr> <td>3 PLACES</td> <td>± ---</td> <td>± .006</td> </tr> <tr> <td>2 PLACES</td> <td>± 0.15</td> <td>± .010</td> </tr> <tr> <td>1 PLACE</td> <td>± 0.25</td> <td>± ---</td> </tr> </tbody> </table> ANGULAR ± 2 ° | | mm | INCH | 4 PLACES | ± --- | ± --- | 3 PLACES | ± --- | ± .006 | 2 PLACES | ± 0.15 | ± .010 | 1 PLACE | ± 0.25 | ± --- | DIMENSION STYLE MM/IN | SCALE 1:1 | DESIGN UNITS METRIC | THIRD ANGLE PROJECTION |
|---|-----------------------------------|--|---------------------------|------------------------------|--|---------------------|-------|-------|----------|-------|--------|----------|--------|--------|---------|--------|-------|--------------------------|--------------|------------------------|------------------------|
| | | mm | INCH | | | | | | | | | | | | | | | | | | |
| 4 PLACES | ± --- | ± --- | | | | | | | | | | | | | | | | | | | |
| 3 PLACES | ± --- | ± .006 | | | | | | | | | | | | | | | | | | | |
| 2 PLACES | ± 0.15 | ± .010 | | | | | | | | | | | | | | | | | | | |
| 1 PLACE | ± 0.25 | ± --- | | | | | | | | | | | | | | | | | | | |
| DRAWN BY DBYRNES 2006/08/17 | CHECKED BY EOMAHONY 2006/08/17 | APPROVED BY EOMAHONY 2006/08/17 | MATERIAL NO. SEE CHART | DOCUMENT NO. SD-85513-010 | TITLE LOW PROFILE TOP ENTRY TRUE SMT JACK WITH P&P SURFACE(SHORT VERSION) | SHEET NO. 2 OF 2 | | | | | | | | | | | | | | | |