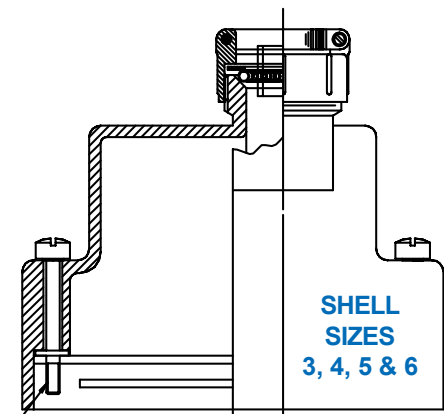
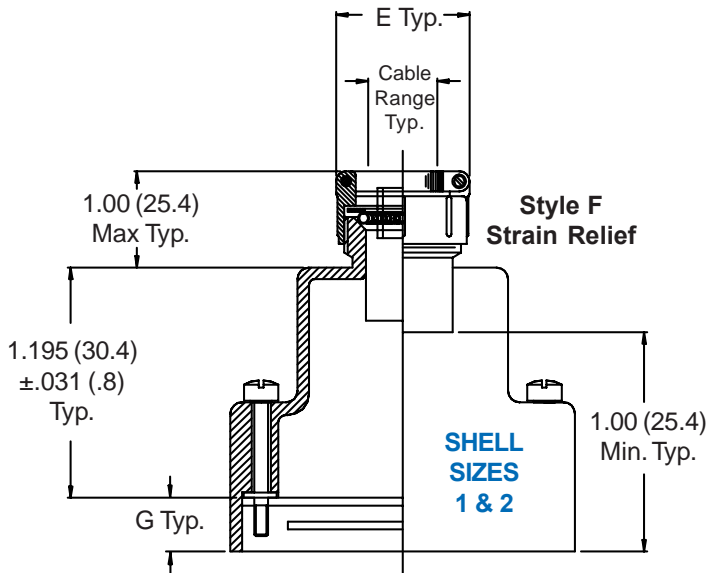


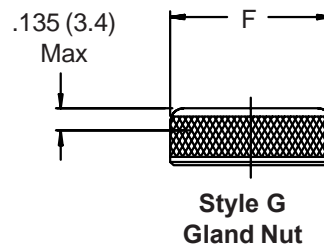
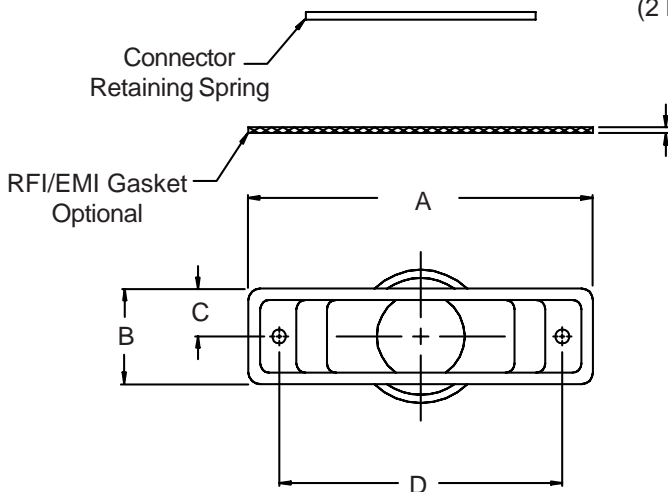
557 T 237 M 2 F0 B 1 F 02-04

- Basic Part No. — 557
- Cable Entry Style — T = Top
- Basic Part Number — 237
- Finish Symbol (Page 3) — M
- Shell Size (Table I) — 2
- Receptacle Mounting (Table III) — F0 = Front Mounting
R1-R9 = Rear Mounting
- Inner Support Ring Dash No. (Table IV), N = No Support Ring
- Cable Entry Dash No. (Table II) — 02-04
- F = Strain Relief
- G = Gland Nut
- 0 = Without EMI Gasket, 1 = With EMI Gasket
- Jackscrew Type (Page A-4) — B



#4-40 UNC
(2 Places) Typ.

Shell Sizes
3, 4, & 5 =
.300 (7.6)
Shell Size 6 =
.425 (10.8)



557-237
D-Subminiature G-Spring Solid Backshell



MIL-C-24308
D-Subminiature

TABLE I: SHELL SIZE & CONECTOR INTERFACE DIMENSIONS

Shell Size	Com'l Shell Size Ref	A		B		C Ref.		D	
		Max	(mm)	Max	(mm)		(mm)	±.005	(.1)
1	E/09	1.393	(35.4)	.624	(15.8)	.312	(7.9)	.984	(25.0)
2	A/15	1.706	(43.3)	.624	(15.8)	.312	(7.9)	1.312	(33.3)
3	B/25	2.265	(57.5)	.624	(15.8)	.312	(7.9)	1.852	(47.0)
4	C/37	2.900	(73.7)	.624	(15.8)	.312	(7.9)	2.500	(63.5)
5	D/50	2.800	(71.1)	.750	(19.1)	.375	(9.5)	2.406	(61.1)
6	F/104	2.900	(73.7)	.844	(21.4)	.422	(10.7)	2.500	(63.5)

TABLE II: CABLE ENTRY

Dash No.	E		F		Cable Range			
	Max	(mm)	Max	(mm)	Min		Max	
01	.843	(21.4)	.625	(15.9)	.125	(3.2)	.250	(6.4)
02	.968	(24.6)	.750	(19.1)	.156	(4.0)	.375	(9.5)
03	1.046	(26.6)	.875	(22.2)	.250	(6.4)	.438	(11.1)
04	1.156	(29.4)	1.000	(25.4)	.280	(7.1)	.500	(12.7)
05	1.218	(30.9)	1.125	(28.6)	.375	(9.5)	.625	(15.9)
06	1.343	(34.1)	1.250	(31.8)	.500	(12.7)	.750	(19.1)
07	1.468	(37.3)	1.375	(34.9)	.625	(15.9)	.875	(22.2)
08	1.593	(40.5)	1.500	(38.1)	.750	(19.1)	1.000	(25.4)
09	1.718	(43.6)	1.625	(41.3)	.875	(22.2)	1.125	(28.6)
10	1.843	(46.8)	1.750	(44.5)	1.000	(25.4)	1.250	(31.8)

TABLE III: RECEPTACLE MOUNTING

Dash No.	Panel Thickness		G	
		(mm)		(mm)
R1	.031	(.8)	.247	(6.3)
R2	.047	(1.2)	.231	(5.9)
R3	.062	(1.6)	.216	(5.5)
R4	.093	(2.4)	.185	(4.7)
R5	.104	(2.6)	.174	(4.4)
R6	.125	(3.2)	.153	(3.9)
R7	.156	(4.0)	.125	(3.2)
R8	.135	(3.4)	.140	(3.6)
F0	N/A		.305	(7.7)

TABLE IV: SUPPORT RING

Dash No.	Support Ring			
	I.D.	(mm)	O.D.	(mm)
01	.187	(4.7)	.227	(5.8)
02	.218	(5.5)	.258	(6.6)
03	.250	(6.4)	.290	(7.4)
04	.281	(7.1)	.321	(8.2)
05	.312	(7.9)	.352	(8.9)
06	.343	(8.7)	.383	(9.7)
07	.375	(9.5)	.415	(10.5)
08	.406	(10.3)	.446	(11.3)
09	.438	(11.1)	.478	(12.1)
10	.468	(11.9)	.508	(12.9)
11	.500	(12.7)	.540	(13.7)
12	.531	(13.5)	.571	(14.5)
13	.562	(14.3)	.602	(15.3)
14	.594	(15.1)	.633	(16.1)
15	.625	(15.9)	.665	(16.9)
16	.656	(16.7)	.696	(17.7)
17	.687	(17.4)	.727	(18.5)
18	.719	(18.3)	.758	(19.3)
19	.750	(19.1)	.790	(20.1)
20	.781	(19.8)	.821	(20.9)
21	.812	(20.6)	.852	(21.6)

1. Metric dimensions (mm) are indicated in parentheses.
2. **DO NOT USE CONNECTORS WITH FLOAT MOUNTINGS.**
3. For front mount, mating connector must be mounted to panel using M24308/26 female screwlocks. For rear mount, use Glenair GK134.
4. For proper termination it is recommended that Glenair 469-001 shield support ring be used on all assemblies. Place ring over wire bundle and under shield, position under G-Spring.