

**PLEASE CHECK WWW.MOLEX.COM FOR LATEST PART INFORMATION**

**Part Number:** **0535170710**  
**Status:** **Active**  
**Description:** 2.50mm (.098") Pitch Mini-Lock™ Wire-to-Board PCB Header, Vertical, 7 Circuits

**Documents:**

[3D Model](#)  
[Drawing \(PDF\)](#)  
[Product Specification PS-51103-006 \(PDF\)](#)  
[Product Specification PS-51103-024 \(PDF\)](#)  
[RoHS Certificate of Compliance \(PDF\)](#)

**Agency Certification**

UL E29179

**General**

Product Family PCB Headers  
 Series 53517  
 Application Wire-to-Board  
 Product Name Mini-Lock™

**Physical**

Breakaway No  
 Circuits (Loaded) 7  
 Glow-Wire Compliant No  
 Keying to Mating Part Yes  
 Lock to Mating Part Yes  
 Material - Metal Phosphor Bronze  
 Material - Plating Mating Tin  
 Material - Resin Nylon  
 Number of Rows 1  
 Orientation Vertical  
 PC Tail Length (in) 0.138 In  
 PC Tail Length (mm) 3.50 mm  
 PCB Locator Yes  
 PCB Retention Yes  
 PCB Thickness Recommended (in) 0.062 In  
 PCB Thickness Recommended (mm) 1.60 mm  
 Packaging Type Tray  
 Pitch - Mating Interface (in) 0.098 In  
 Pitch - Mating Interface (mm) 2.50 mm  
 Polarized to Mating Part Yes  
 Polarized to PCB Yes  
 Shrouded Fully  
 Stackable No  
 Temperature Range - Operating -40°C to +105°C  
 Termination Interface: Style Through Hole

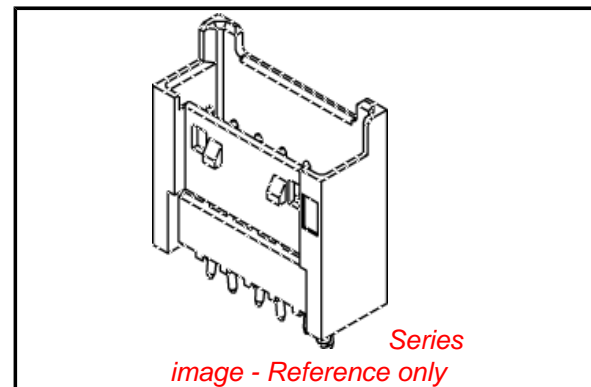
**Electrical**

Current - Maximum per Contact 3A  
 Voltage - Maximum 250V

**Material Info**

**Reference - Drawing Numbers**

Product Specification PS-51103-006, PS-51103-024, RPS-51103-001, RPS-51103-003, RPS-51103-020, RPS-51103-035, RPS-51103-043, RPS-51103-049, RPS-51103-057, RPS-51163-001, RPS-51163-003  
 Sales Drawing SD-53517-001



**EU RoHS**

**ELV and RoHS  
Compliant**  
**REACH SVHC**  
 Not Reviewed  
**Halogen-Free  
Status**

**China RoHS**



**Need more information on product  
environmental compliance?**

Email [productcompliance@molex.com](mailto:productcompliance@molex.com)  
 For a multiple part number RoHS Certificate of Compliance, [click here](#)

Please visit the [Contact Us](#) section for any non-product compliance questions.

**Search Parts in this Series**

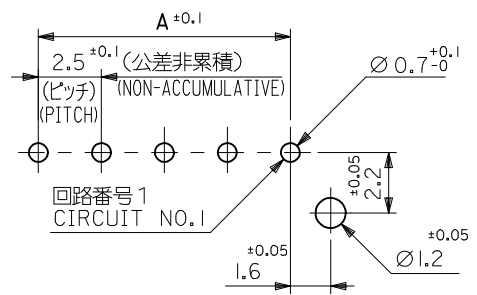
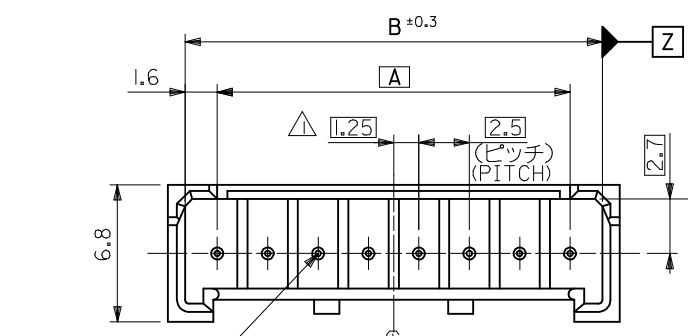
[53517Series](#)

**Mates With**

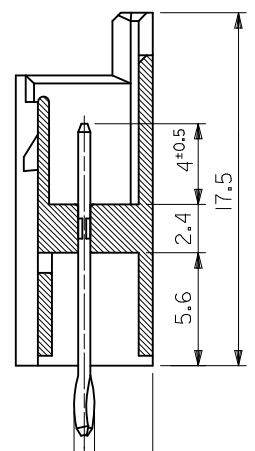
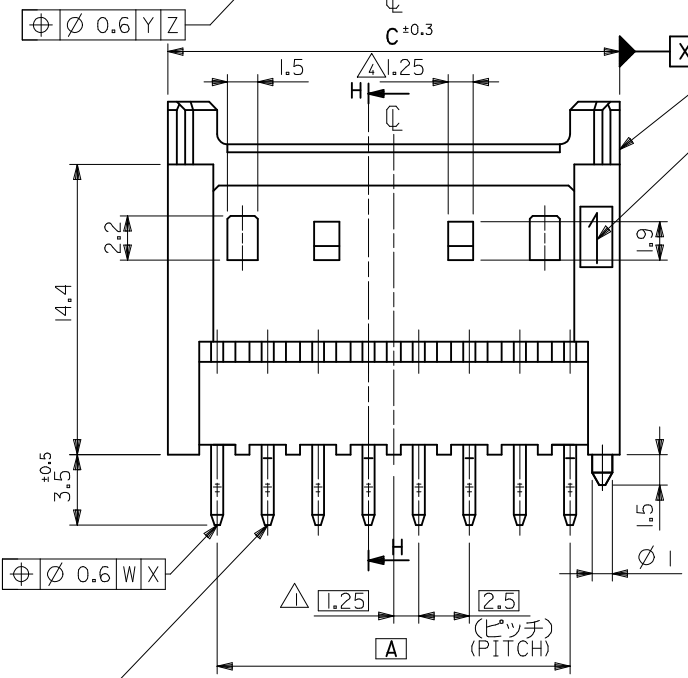
[51103 Crimp Housing](#), [50351 Crimp Terminal](#)

This document was generated on 04/16/2010

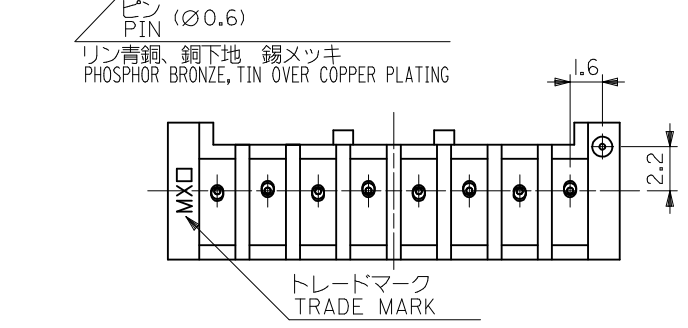
**PLEASE CHECK [WWW.MOLEX.COM](http://WWW.MOLEX.COM) FOR LATEST PART INFORMATION**



基板取付穴推奨寸法 (マウント面)  
 RECOMMENDED P.C.BOARD HOLE DIMENSION  
 (MOUNTING SIDE)  
 (τ=1.6) (SCALE 5 : 1)

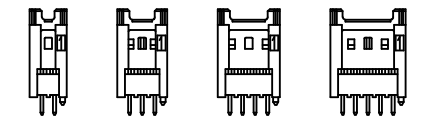


断面 H-H  
 SECT. H-H



注記  
 NOTES

- △ 偶数極品に適用。  
 APPLIES ONLY TO EVEN NO. CKT. SIZES.
- 2. 嵌合相手 : 51103,51136 シリーズ  
 MATES WITH : 51103,51136 SERIES.
- 3. ELV AND RoHS COMPLIANT.
- △ 2, 3極品において、下記寸法とする。  
 DIMENSIONS OF 2 AND 3 CKTS IS FOLLOWING.
- 2CKTS : NONE  
 3CKTS : 1
- 5. MATERIAL  
 WAFER PA, UL94V-0, COLOR : NATURAL  
 PIN PHOSPHOR BRONZE, TIN OVER COPPER PLATING



2極 3極 4極 5極  
 2 CKT. 3 CKT. 4 CKT. 5 CKT.

ロック形状図  
 LOCK CONFIGURATION

39.9	38.2	35	53517 - 1510	15
37.4	35.7	32.5	↑ - 1410	14
34.9	33.2	30	- 1310	13
32.4	30.7	27.5	- 1210	12
29.9	28.2	25	- 1110	11
27.4	25.7	22.5	- 1010	10
24.9	23.2	20	- 0910	9
22.4	20.7	17.5	- 0810	8
19.9	18.2	15	- 0710	7
17.4	15.7	12.5	- 0610	6
14.9	13.2	10	- 0510	5
12.4	10.7	7.5	- 0410	4
9.9	8.2	5	↓ - 0310	3
7.4	5.7	2.5	53517 - 0210	2
C	B	A	TRAY PACKAGE ORDER NO.	極数 NO. OF CKTS.

REVISED EC NO: J2010-0837 DRWN:TKON 2009/10/26 CHKD:KASAKAWA 2009/10/26 APPR:NIKIITA 2009/10/26	GENERAL TOLERANCES (UNLESS SPECIFIED)		DIMENSION STYLE MM ONLY		SCALE 4:1	DESIGN UNITS METRIC		THIRD ANGLE PROJECTION			
	10 UNDER ±0.3 10 OVER 30 UNDER ±0.25 30 OVER ±0.2	ANGULAR ±3 ° DRAFT WHERE APPLICABLE MUST REMAIN WITHIN DIMENSIONS		DRAWN BY DATE K. TOJO 1994/05/16		CHECKED BY DATE S. KUNISHI 1994/05/16		TITLE 2.5 WIRE TO BOARD CONN. WAFER ASSY -LEAD FREE-			
	APPROVED BY DATE M. FUKUSHIMA 1994/05/16		MATERIAL NO. SEE TABLE		MOLEX INCORPORATED		DOCUMENT NO. SD-53517-001		SHEET NO. 1 OF 1		
	SIZE A3		THIS DRAWING CONTAINS INFORMATION THAT IS PROPRIETARY TO MOLEX INCORPORATED AND SHOULD NOT BE USED WITHOUT WRITTEN PERMISSION								