

PLEASE CHECK WWW.MOLEX.COM FOR LATEST PART INFORMATION

Part Number: [0019091042](#)
Status: **Active**
Overview: [standard_093](#)
Description: 2.36mm (.093") Diameter, .093" Pin and Socket Receptacle Housing with Positive Latch, 4 Circuits, Without Mounting Ears

Documents:

3D Model	Product Specification PS-02-09 (PDF)
Packaging Specification (PDF)	RoHS Certificate of Compliance (PDF)
Drawing (PDF)	

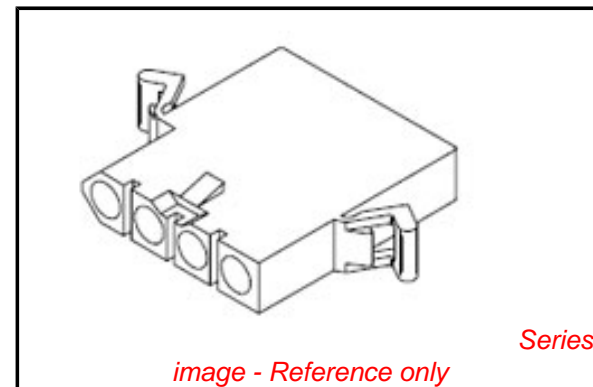


image - Reference only

Agency Certification

CSA	LR19980
TUV	R95725
UL	E29179

General

Product Family	Crimp Housings
Series	1991
Comments	Glow Wire Equivalent Part Number 50361691 . Polarized to Mating Part
Overview	standard_093
Product Name	Standard .093"

Physical

Breakaway	No
Circuits (maximum)	4
Circuits Detail	1x4
Color - Resin	Natural
Flammability	94V-2
Gender	Male
Glow-Wire Compliant	No
Keying to Mating Part	None
Lock to Mating Part	Yes
Material - Resin	Nylon
Number of Rows	1
Packaging Type	Bag
Panel Mount	No
Pitch - Mating Interface (in)	0.248 In
Pitch - Mating Interface (mm)	6.30 mm
Polarized to Mating Part	Yes
Stackable	No
Temperature Range - Operating	-40°C to +105°C

Electrical

Current - Maximum per Contact	9A
-------------------------------	----

Material Info

Old Part Number	1991-4R1
-----------------	----------

Reference - Drawing Numbers

Product Specification	PS-02-09
Sales Drawing	SD-1991-4*

EU RoHS

ELV and RoHS Compliant
REACH SVHC Contains SVHC: No
Halogen-Free Status

China RoHS



Halogen-Free

Need more information on product environmental compliance?

Email productcompliance@molex.com
 For a multiple part number RoHS Certificate of Compliance, [click here](#)

Please visit the [Contact Us](#) section for any non-product compliance questions.

Search Parts in this Series

[1991Series](#)

Mates With

[19-09-2042 Plug](#), [19-09-2043 Plug](#)

Use With

[1189 Crimp Terminals](#), [1190 Crimp Terminals](#), [1380 Male Crimp Terminals](#), [1381 Female Crimp Terminals](#), [1433 Crimp Terminals](#), [1434 Male Crimp Terminals](#), [1973](#) , [2151](#) , [2273](#) , [2870](#) , [2871](#) , [4272](#) , [4550](#) , [6271](#) , Lin

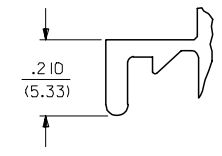
PLEASE CHECK WWW.MOLEX.COM FOR LATEST PART INFORMATION

	13	12	11	10	9	8	7	6	5	4	3	2	1
	PLUG			RECEPTACLE									
J	PART NO.	ENG. NO.		PART NO.	ENG. NO.								
	I9-09-2042	I991-4P1		I9-09-1041	I991-4R								
	I9-09-2043	I991-4P2		I9-09-1042	I991-4R1								
				I9-09-1043	I991-4R2								
I													
H													

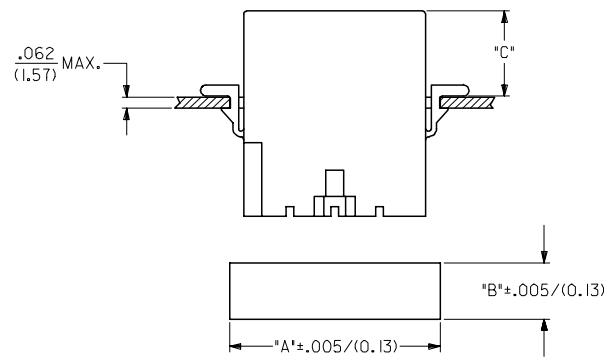
LEGEND:
 1991-4****
 CIRCUIT SIZE
 P = PLUG
 R = RECEPTACLE

BLANK = WITH STANDARD EARS
 1 = WITHOUT EARS
 2 = WITH PREBENT EARS, PER DETAIL 3

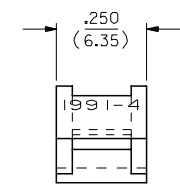
COLOR: BLANK=NATURAL COLOR
 AM=AMBER BK=BLACK BU=BLUE
 BN=BROWN GY=GRAY GN=GREEN
 OR=ORANGE RD=RED YW=YELLOW



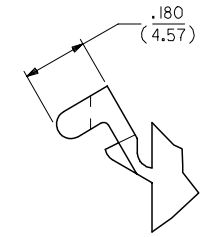
DETAIL 2
 STANDARD MOUNTING EAR
 (SCALE 4:1)



HOUSING	DIM. "A"	DIM. "B"	DIM. "C" STD. EAR	DIM. "C" PREBENT
PLUG	1.270/(32.26)	.365/(9.27)	.48/(12.2)	.52/(13.2)
RECEPTACLE	1.168/(29.67)	.311/(7.90)	.47/(11.9)	.51/(12.9)



DETAIL 3
 PREBENT MOUNTING EAR
 (SCALE 4:1)



- NOTES:
1. MATERIAL: NYLON TYPE 6/6, 94V-2.
 2. FINISH: N/A
 3. PRODUCT SPECIFICATION: PS-02-09
 4. PACKAGING SPECIFICATION: PK-1991-001
 5. ACCEPTS MOLEX .093/(2.36) SERIES TERMINALS.
 6. PARTS FROM EARLIER VERSION TOOLS DO NOT HAVE CIRCUIT IDENTIFICATION RIBS
 7. PARTS CONFORM TO CLASS B REQUIREMENTS OF COSMETIC SPECIFICATION: PS-45499-002.

UPDATE NOTES EC NO: UCP2007-1498 DRW:NAELHAG 2007/04/04 CHKD:AEHAG 2007/04/04 APPR:FSM TH 2007/04/04 REVISION DESCRIPTION	QUALITY SYMBOLS	GENERAL TOLERANCES (UNLESS SPECIFIED)	DIMENSION STYLE IN/MM	SCALE 2:1	DESIGN UNITS INCH	THIRD ANGLE PROJECTION
	$\nabla=0$ $\nabla=0$	4 PLACES ± --- ± --- 3 PLACES ± --- ± .010 2 PLACES ± 0.25 ± .014 1 PLACE ± 0.35 ± --- ANGULAR ± 1 °	DRAWN BY DATE GEP 1988/03/02 CHECKED BY DATE RW 1988/03/02 APPROVED BY DATE RAS 1988/03/02	TITLE		
		DRAFT WHERE APPLICABLE MUST REMAIN WITHIN DIMENSIONS	SEE CHART	.093/(2.36) HOUSINGS, PLUG AND RECEPTACLE, 4 CKT, .248/(6.30) CTRS.		
				MATERIAL NO. SD-1991-4* DOCUMENT NO.	SHEET NO. 3 OF 3	